

534mm

414mm

K-2351T-1/-4/-8 希玛龙 CIMARRON

KOHLER® 科勒®厨卫经典

VITREOUS CHINA SELF-RIMMING LAVATORY 釉面陶瓷台上脸盆 切割图/安装说明书 CUT-OUT TEMPLATE / INSTALLATION INSTRUCTIONS

安装之前

注意

- 遵守当地所有给排水及建筑规定。
- 检查污水管及供水管。如有需要请更换。
- 安装之前，开启新脸盆的包装，仔细检查脸盆是否有损坏，再将脸盆放回包装盒内，到安装时才取出。
- 如果只是更换脸盆，请确保现有的台面开口不大于新脸盆所需开口的尺寸。
- 使用随脸盆一起提供的模板。
- 如果已经随脸盆提供了密封胶，请勿再使用其他密封胶。
- 如果可能，在安装脸盆之前先将龙头和排水组接到脸盆上。

推荐工具及材料

- 安装模板(已提供)
- 护眼镜
- 铅笔
- 卷尺
- 涂油灰刀
- 匙孔线锯或手提电锯
- 密封胶
- 剪刀
- 喉管扳钳
- 电钻(钻头直径13毫米即1/2英寸，或更大)
- 活动扳钳
- 切管刀
- 钢锯

BEFORE YOU BEGIN

NOTES

- Observe all local plumbing and building codes.
- Inspect the drainage and supply tubing. Replace if necessary.
- Prior to installation, unpack the new lavatory and carefully inspect it for damage. Return the lavatory to its protective carton until you are ready to install it.
- For replacement installations, make sure the existing cutout is the same or smaller size as the new lavatory.
- Use the template supplied with the lavatory.
- Do not substitute another sealant if one is supplied with this lavatory.
- If possible, assemble the faucet and drain to the lavatory before installing the lavatory.

RECOMMENDED TOOLS AND MATERIALS

- Template(supplied)
- Safety Glasses
- Pencil
- Tape Measure
- Rutty Knife
- Keyhole Saw or Saber Saw
- Sealant
- Scissors
- Pipe Wrench
- Drill with 130mm(1/2") or larger drill bit
- Adjustable Wrench
- Tubing Cutter
- Hacksaw

移开原有脸盆

- 关闭龙头供水。
- 打开龙头阀门，然后拆下供水管。
- 拆下排水组件，取下存水弯。
- 移开脸盆。

安装新脸盆

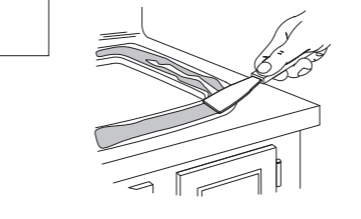
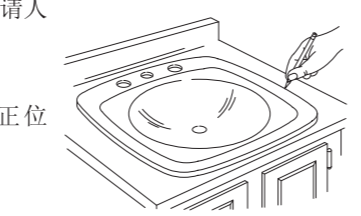
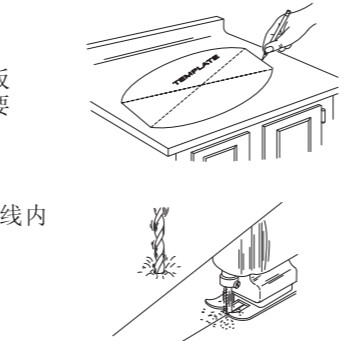
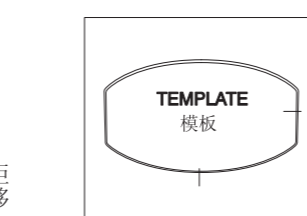
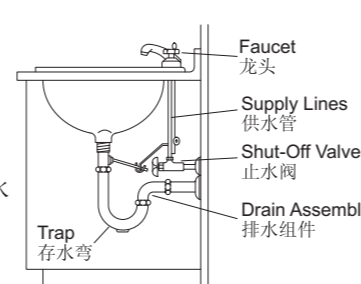
- 将模板沿切割线切出。
- 将模板放在台面上，确定脸盆、龙头和防水板之间有足够的距离。检查台面上的储物柜有足够的空间。
- 用铅笔沿模板在台面上划线。
- 再次检查脸盆、龙头、防水板以及储物柜间的距离。如有需要可调整模板的位置。
- 用一个13毫米的钻头，在切割线内侧钻孔。
- 沿铅笔线内侧切开台面。

⚠ 小心：提防身体受伤或损坏产品。大型脸盆十分沉重，须请人帮忙一起搬动及安放。

- 暂时将脸盆放入台面开口，校正位置。
- 用铅笔沿脸盆外缘画线。
- 移开脸盆。

如果龙头和排水尚未安装，此时即可进行安装。请遵照随货供应的说明书进行安装。

- 在铅笔线内侧涂上两条密封胶。
- 用涂油灰刀将其抹匀。
- 小心：提防身体受伤或损坏产品。大型脸盆十分沉重，须请人帮忙一起搬动及安放。
- 将脸盆小心放入台面开口，向下按牢。



REMOVE EXISTING LAVATORY

- Turn off the water supply to the faucet.
- Open the faucet valves, then disconnect the supply lines.
- Disconnect the drain assembly and remove the trap.
- Remove the existing lavatory.

INSTALL NEW LAVATORY

- Cut the template on the cutout line.
- Position the template on the countertop to ensure clearance between the lavatory, faucet, and backsplash. Verify cabinet clearance beneath the countertop.
- Trace the template on the countertop with a pencil.
- Check the clearance between the lavatory, faucet, backsplash, and cabinet. Readjust the template.
- Drill a 13mm (1/2") hole on the inside of the outline.
- Cut the opening in the countertop along the inside edge of the pencil line.

⚠ CAUTION: Risk of personal injury or product damage. Large lavatories are very heavy. Get help lifting the lavatory into place.

- Temporarily position the lavatory in the opening, and adjust to fit.
- Trace a pencil line around the outside edge of the lavatory.
- Remove the lavatory.

IF THE FAUCET AND DRAIN ARE NOT INSTALLED, INSTALL THEM AT THIS TIME. BE SURE TO FOLLOW ALL INSTRUCTIONS PACKED WITH THE PRODUCT.

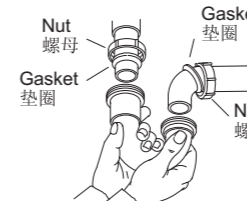
- Apply two beads of sealant to the inside of the pencil line.
- Spread the sealant evenly with a putty knife.
- CAUTION: Risk of personal injury or product damage. Large lavatories are very heavy. Get help lifting the lavatory into place.
- Carefully position the lavatory in the cutout, and press down firmly.

- 立即擦除多余的密封胶，如有缝隙，用胶填充。
- 确认脸盆没有移位。
- 至少待三十分钟，让密封胶干透后，方可继续进行安装。



连接供水

- 联结排水组件。
- 联结龙头供水管并完成龙头安装。请遵照与龙头一起包装的说明书进行安装。



完工清洁

- 切勿使用磨蚀性清洁剂，以免刮花损伤脸盆表面。顽固的污渍，油漆或焦油可以用松节油或油漆稀释剂清除。

用户须知

护理和清洁

为保持脸盆光洁如新，须确保每次使用后彻底冲洗干净，切勿使用磨蚀性的清洁剂，以免刮花及破坏脸盆的表面。要清除顽固污渍，油漆或焦油，可使用松节油或油漆稀释剂。

连接供水

- Immediately wipe away any excess sealant, and fill any voids as needed.
- Verify that the lavatory has not moved out of position.
- Allow the sealant to cure for at least 30 minutes before proceeding.

CONNECT SUPPLIES

- Connect the drain assembly.
- Connect the faucet supply lines and complete the faucet installation. Be sure to follow all instructions packed with the faucet.

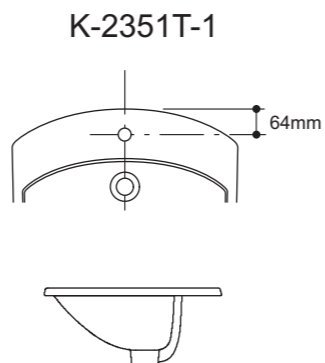
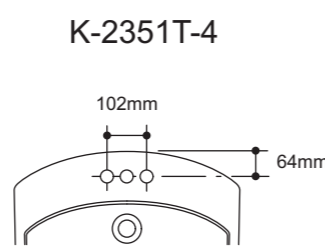
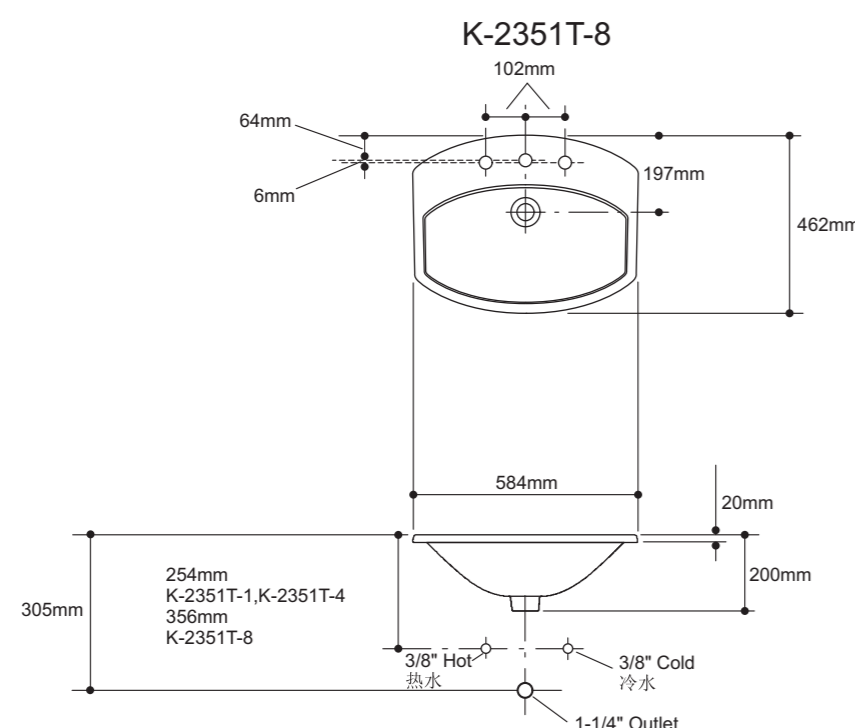
CLEAN-UP

- Do not use abrasives on this product, as they will scratch and ruin the surface. Stubborn stains, paint, or tar can be removed with turpentine or paint thinner.

IMPORTANT CONSUMER INFORMATION

CARE AND CLEANING

To keep your lavatory looking new, make sure you rinse it out thoroughly after each use. DO NOT ABRASIVES on this product, as they will scratch and ruin the surface. Stubborn stains, paint, or tar can be removed with turpentine or paint thinner.



RIM OF LAVATORY
脸盆边缘

CUT ALONG THIS LINE
沿此线切割

WHEN PLOTTING TEMPLATE FULL SIZE:
Make sure horizontal and vertical dimensions match the dimensions labeled on the template.
按实际大小标绘切割图时：确保横向及纵向尺寸与切割图上所标尺寸相符。

1101504-T01-A

广东省佛山市三水区乐平镇
三水中心工业园区科勒大道 邮编：528137

© 版权为科勒中国有限公司所有，2008
© Copyright Kohler China Ltd., 2008