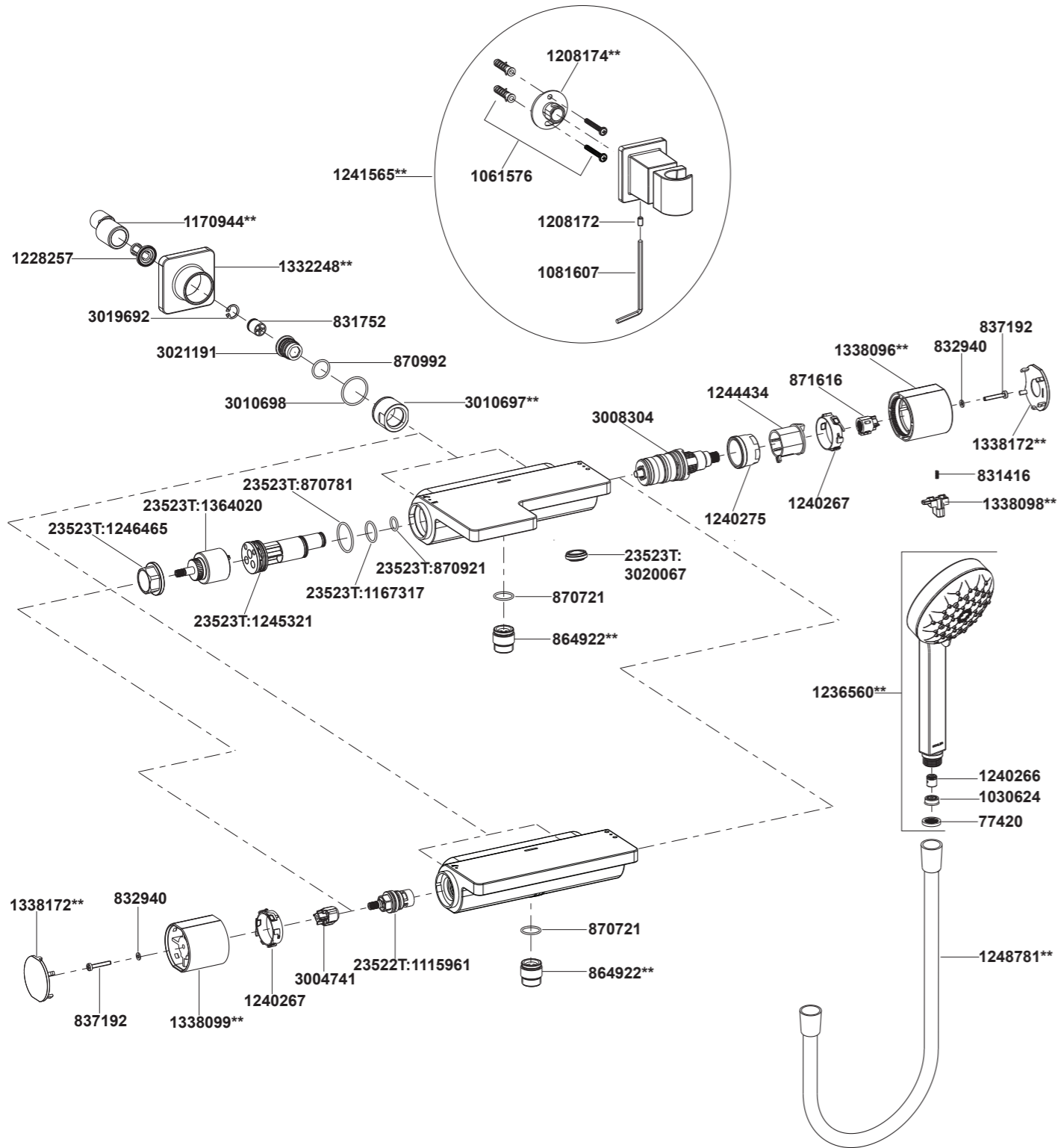


23523T-9 Wall Mount Thermostatic Bath Shower Faucet
 23522T-9 Wall Mount Thermostatic Shower Only Faucet



**Color code must be specified when ordering.

23523T-9 Wall Mount Thermostatic Bath Shower Faucet
 23522T-9 Wall Mount Thermostatic Shower Only Faucet

BEFORE YOU BEGIN

All information is based on the latest product information available at the time of publication. Kohler Co. reserves the right to make changes in product characteristics, packaging, or availability at any time without notice.

Please leave these instructions for the consumer. They contain important information.

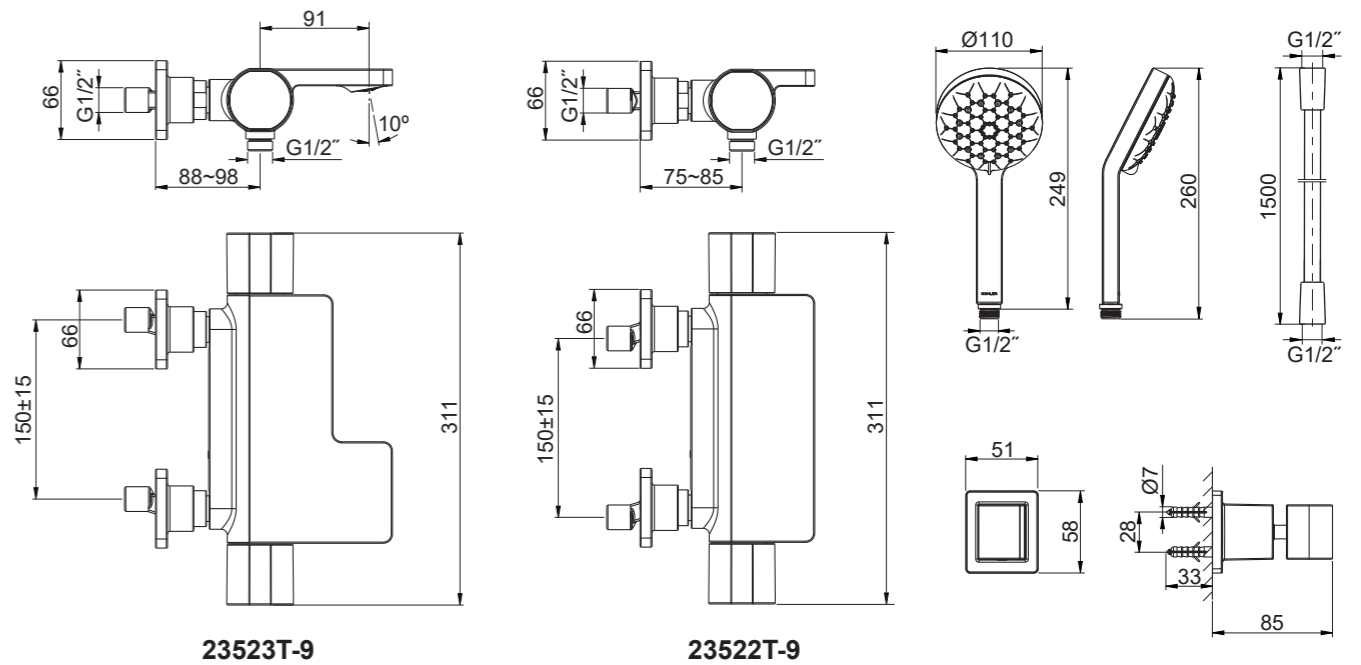
NOTES:

1. Minimum supply pressures: 0.05MPa(0.5bar).
2. Recommended supply static pressures: 0.3MPa(3bar) on hot and cold water.
3. Supply pressure greater than 0.5MPa(5bar): install a pressure reducer.
4. Hot water temperatures, minimum: 50°C, maximum:80°C.
5. Recommended hot water temperature: 65°C(energy-saving).
6. Setting range, approximately: 20°C to 49°C.
7. Safety stop at: 37°C.
8. Maximum mixed water temperature: 49°C.
9. The highest environment temperature for handshower & showerhead is 60°C. Please keep handshower, showerhead and shower arm away from heater, or it may become damaged and cause injury to the user.

HANDLE OPERATION

The temperature is set by slowly turning the temperature selector(right-hand handle). For safety reasons, there is a stop that limits temperature to 37°C. To get a higher temperature, push the button and continue turning the temperature selector counter-clockwise. Water flow is set by turning the left-hand handle.
 For 23523T-9, turn the left-handle clockwise for bath spout, turn counter-clockwise for handshower.
 For 23522T-9, turn the left-handle counter-clockwise for opening the faucet, turn clockwise for closing the faucet.

ROUGH-IN DIMENSIONS



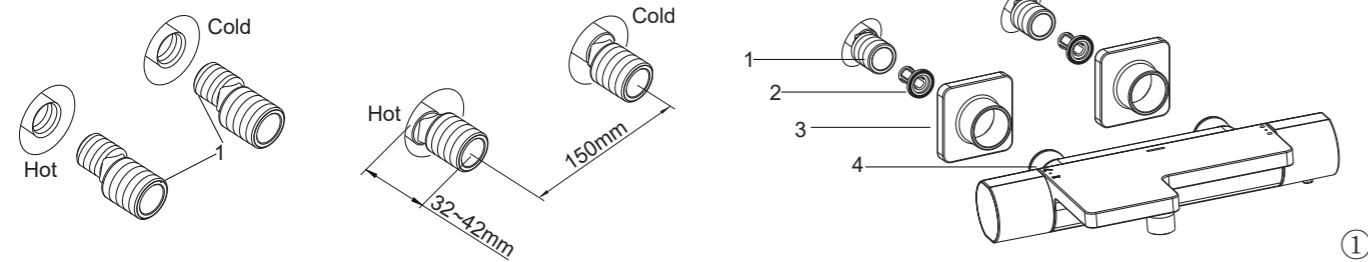
INSTALLATION

How to Install the Faucet

To perform installation, installer must provide G1/2" female supply fittings, spaced 150mm apart and horizontally. The supply fittings should be vertical and not beyond the finished wall. Hot supply pipe must be located on the left. Flush the water supply pipes thoroughly to remove debris.

Use appropriate thread sealants or thread tape on the threads of offset connectors(1). Install two offset connectors into the hot and cold supply pipes. Adjust the center-to-center distance between the connectors to 150mm and horizontally. They should extend 32 to 42mm beyond the finished wall.

Put the filters(2) into the connectors(1). Apply a ring of putty on back of the escutcheons(3). Install the escutcheons onto the supply nuts(4). Thread the supply nuts onto the connectors and tighten by strap wrench. Push the escutcheons until against the finished wall. Remove any excess putty.

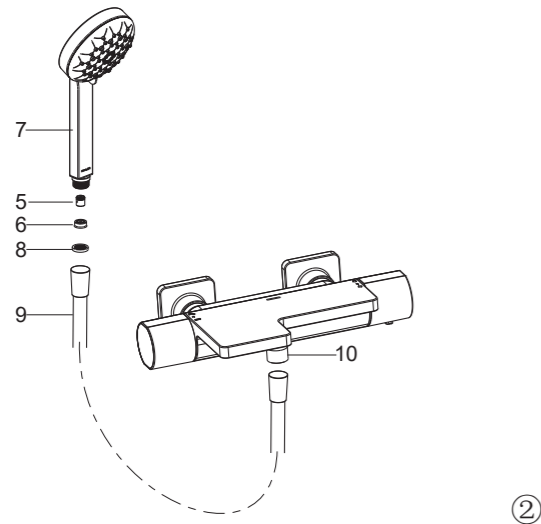


How to Install the Handshower

Remove the guard on the outlet connector firstly.

Put the check valve(5) and restrictor(6) into the handshower(7) if needed.

Put the screen washer(8) into the hose(9) connector. Connect the connector(10) and handshower with hose. Tighten all the connectors.

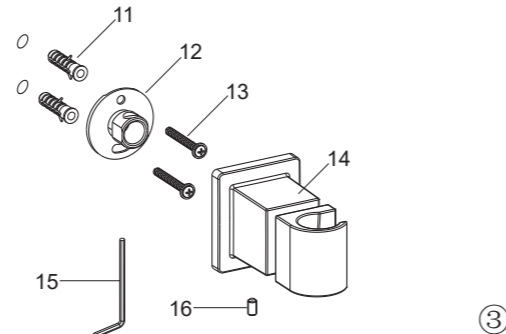


How to Install the Bracket

Determine a suitable location on the finished wall to install the bracket, avoiding buried cables and pipes in the wall.

Mark mounting locations of the bracket base(12) on the wall according to the dimension. Drill two holes vertically in the finished wall according to the anchors(11) diameter. Install the anchors. Tighten screws(13) to fix bracket base on the finished wall. **NOTE:** The direction of the bracket base should be shown in below figure.

Loosen the screw(16) in the bottom of the bracket(14) with the hex wrench(15) so that the bracket can be installed. Apply a ring of plumbers putty or other sealants around the underside of the bracket. Put the bracket onto the bracket base and lock them by screw and hex wrench. Remove any excess putty.



INSTALLATION CHECKOUT

Ensure all coupling nuts are tight. Ensure the handles are in the off position. Turn on the main water supply, and check for leaks. Repair as needed.

For 23523T, remove the handshower. Remove the aerator by coin. Run hot and cold water through the faucet about one minute to remove any debris. Check for leaks. Remove any debris from the aerator. Shut off the faucet, reinstall the aerator and handshower.

For 23522T, remove the handshower. Run hot and cold water through the faucet about one minute to remove any debris. Check for leaks. Shut off the faucet, reinstall the handshower.

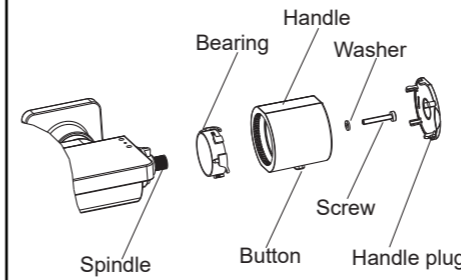
CARE AND MAINTENANCE

Verification and Setting

Make sure that the water feeds of the faucet have reach their highest temperature by letting the water run sufficiently. With the selector in position 37°C, the temperature of the water coming out of the faucet must be within a range of 36°C and 38°C, as measured by a thermometer. If this is not the case, the installer can adjust the setting. Proceed with the setting as follows:

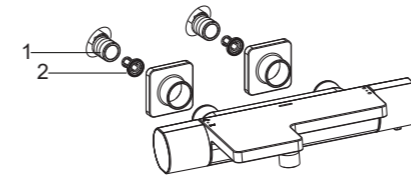
Remove the handle plug. Uninstall the screw with screwdriver(Do not lose the washer). Remove the handle kit.

With the faucet on "cold" normal water flow, slowly turn the temperature selector (always in the same direction) until water at 37°C is obtained. If the temperature goes over 38°C, go back to the "cold" setting and set again. When the temperature is stabilized, without turning the cartridge spindle. Make sure the bulge of the bearing align with the groove of the body. Insert the bearing. Install the temperature handle. Ensure the upper surface of temperature handle is aligned with the faucet body. Tighten the screw with the washer. Install the handle plug.



How to Clear the Filter

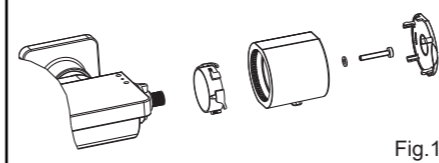
The filters(2) protecting the faucet device may get obstructed and reduce water flow. When this happens, take out the filters in the connectors(1) after removing the faucet. Clean the filters by soaking them in warm vinegar. Reinstall them as the figure.



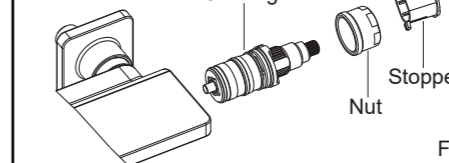
How to Clear the Thermostatic Cartridge

Very hard water can obstruct filters on the thermostatic cartridge and reduce water flow. Please clean the cartridge as follows: Shut off the water supply of the faucet and open the water flow handle, then proceed to remove the cartridge. The cartridge is sensitive part, please be careful.

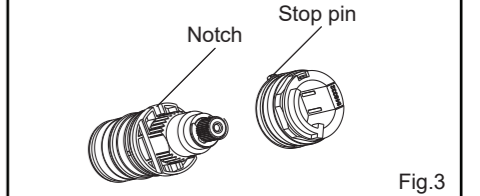
Ensure the upper surface of temperature handle is aligned with the faucet body before your action. Uninstall the handle kit.



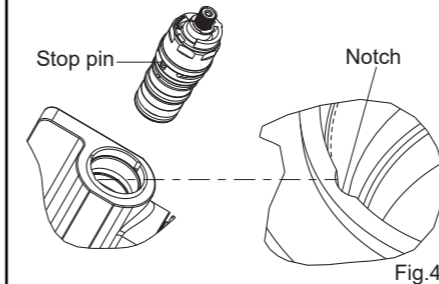
Unscrew the nut and stopper. Remove the cartridge cautiously. Clean the thermostatic cartridge by soaking it in warm vinegar.



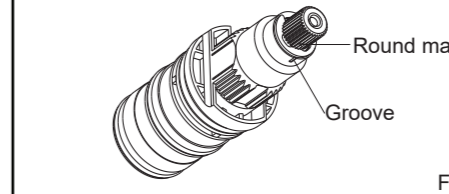
After cleaning, install the "stop assembly" back on the cartridge, adjusting the stop pin into the notch.



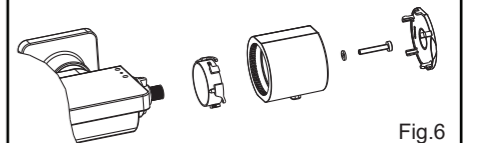
Install the assembly cartridge and stop in the body, adjusting the stop pin into the notch.



NOTE: Do not turn the cartridge when reinstall it. If you turned it without carefully, you should adjust it and be sure that the round mark is correctly in line with the groove, or readjust as per the steps of verification and setting.



Install the bearing(without turning the spindle). Make sure the bulge of the bearing align with the groove of the body. Install the handle. Ensure the upper surface of temperature handle is aligned with the faucet body. Tighten the screw with the washer. Install the handle plug.



CLEANING INSTRUCTIONS

All Finishes: Clean the finish with mild soap and warm water. Wipe entire surface completely dry with clean soft cloth. Many cleaners may contain chemicals, such as ammonia, chlorine, toilet cleaner etc, which could adversely affect the finish and are not recommended for cleaning.

Do not use abrasive cleaners or solvents on Kohler faucets and fittings.