

BEFORE YOU BEGIN

安装之前

- Please read these instructions carefully to familiarize yourself with the required tools, materials, and installation sequences. Follow the sections that pertain to your particular installation. This will help you avoid costly mistakes. In addition to proper installation, read all operating and safety instructions.
 - All information in these instructions is based upon the latest product information available at the time of publication. Kohler China reserves the right to make changes in product characteristics, packaging, or availability at any time without notice.
 - These instructions contain important care, cleaning, and warranty information—**please leave instructions for the consumer.**
 - Turn off the water supply.
 - The plumbing installation must comply with Water Supply Regulations/Bye-laws, Building Regulations or any particular regulations and practices, specified by the local water company or water undertakers. The installation should be carried out by a plumber.
 - Before installation carefully inspect the new fixture for any signs of damage.
- 请仔细阅读本指引，以便熟悉所需工具、物料及安装程序。请遵照适用的章节来安装本产品，以免安装失当导致不必要的损失。除了有关正确的安装方法之外，还务请详阅所有操作及安全指引。
 - 本指引所载之一切资料，均以印刷时所有之最新产品情况为基础，科勒中国保留权利随时更改产品特性、包装或供应情况，恕不另行通知。
 - 本指引也包含了有关保养、清洁及担保等重要资料—请交予用户保存。
 - 关闭供水。
 - 管道安装必须遵循当地所有给排水、建筑或者其他的特别规定。管道安装人员必须具备相应资格。
 - 安装之前，仔细检查新产品是否有损伤。

ORDERING INFORMATION

订购信息

This installation covers the following products in the ARCHER™ range:

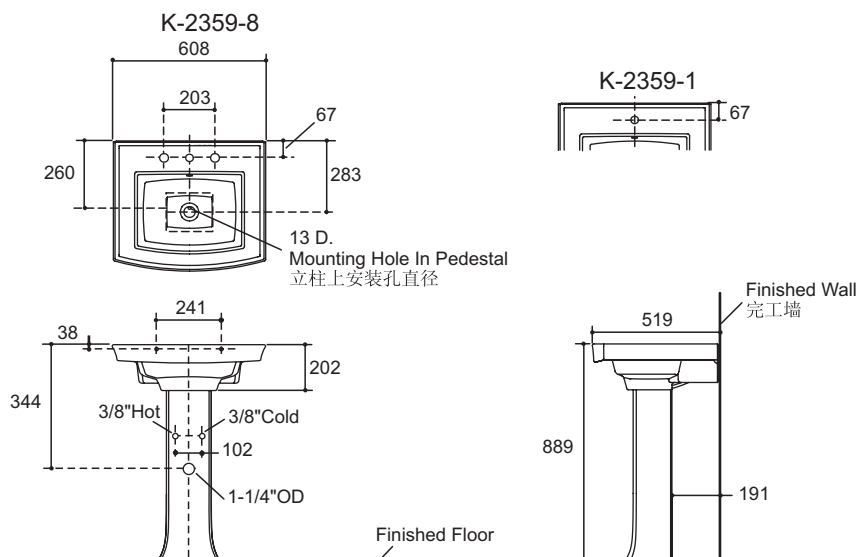
此安装说明书适用于以下雅琦系列产品的安装：

ARCHER™ Pedestal LavatoryK-2359-1/-8
Includes Basin.....K-2358-1/-8
Includes Pedestal.....K-2357

雅琦柱盆.....K-2359-1/-8
含脸盆.....K-2358-1/-8
含立柱.....K-2357

ROUGHING-IN

尺寸图



上海科勒国际贸易有限公司
上海市外高桥保税区新灵路106号2号楼324室 邮编: 200131

TOOLS AND MATERIALS REQUIRED (Not Supplied)

- Level
- Drill with assorted bits
- 14mm wrench
- Tape measure
- Framing square
- Channel lock pliers

所需工具及材料 (不随货供应)

- 水平尺
- 带配套钻头的钻
- 14mm板钳
- 卷尺
- 定位直尺
- 锁钳

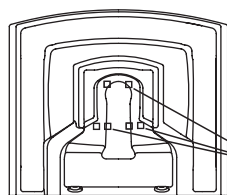
INSTALLATION

安装

- Rough-in the supplies and the drain piping.

NOTE: The supply stop handles cannot extend more than 76mm from the finish wall when in the open position.

- Install sufficient backing behind the finish wall to provide a secure material form the anchoring devices.
- Apply two self-adhesive gaskets (provided) to each of the three ridges in the bottom recess of the lavatory.



Bottom View
of Lavatory
洗脸盆底部

- 画出供水及排水管道及阀门的轮廓线。

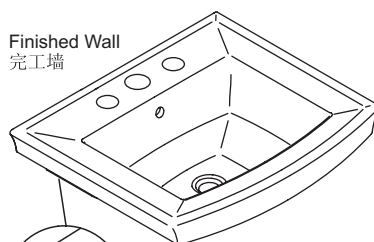
注意: 供水开关手柄在打开位置时, 距离完工墙面不得超过76mm。

- 要在完工的墙后安装足够的褥垫, 为锚固装置提供牢靠的基础。
- 在洗脸盆底部凹进处的三个凸脊各放两块密封垫(已随货提供)。

- Mark the centerline on the floor.
- Position the pedestal on the floor centerline.
- Carefully set the lavatory on the pedestal.
- Move the pedestal as required to ensure proper fit in the desired location.
- Level the lavatory. Add more self-adhesive gaskets as needed to level the lavatory.

NOTE: The lavatory must be supported by the pedestal.

- Check the lavatory placement.
- Mark the center of each anchoring hole on the wall, and mark the floor through the hole in the pedestal bottom.
- Carefully remove the lavatory from the pedestal. Then move the pedestal from the area.



Finished Wall
完工墙

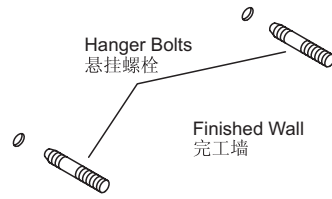
Center of
Anchoring Holes
锚孔中心

- 在地面上画出中心线标记。
- 把立柱放在地面中心线位置上。
- 小心地将洗面盆安放在立柱上。
- 必要时移动立柱, 以确保位置恰当。
- 调平洗面盆, 如有需要, 可使用更多的自粘垫子, 以便持平。

注意: 洗面盆必须由立柱支撑。

- 检查洗面盆是否正确安放。
- 在墙上标出每个安装孔的中心位置, 并通过立柱底部的孔, 在地面上作出标记。
- 小心地从立柱上移开洗面盆, 再将立柱搬开。

- Drill a 6.3mm mounting hole at the mark on the floor, then drill two 6.3mm hanger bolt holes at the marks on the wall.
- Mount hanger bolts to the wall so approximately 32mm of each bolt remains exposed.



- 在地面标记处钻一个6.3mm的安装孔，然后再在墙上标记处钻两个6.3mm的悬挂螺栓孔。
- 将悬挂螺栓安装在墙上，并使每个螺栓保持外露32mm。

NOTE: Other fastening devices of sufficient size and strength may also be used.

注意: 也可使用其它具有足够尺寸及强度的紧固装置。

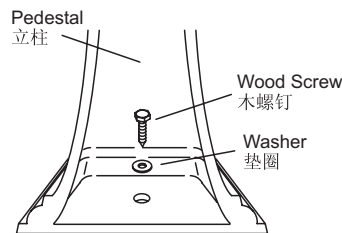
- Install the faucet and drain to the lavatory according to the manufacturer's instructions.

- 按照制造商之要求，将水龙头及排水管道安装在脸盆上。

NOTE: Do not fully tighten slip-joint drain connections at this time.

注意: 此时勿将滑动排水连接器拧得过紧。

- Position the pedestal mounting hole over the hole in the floor.
- Secure the pedestal to the floor with the wood screw and washer. Tighten the wood screw until it is snug.

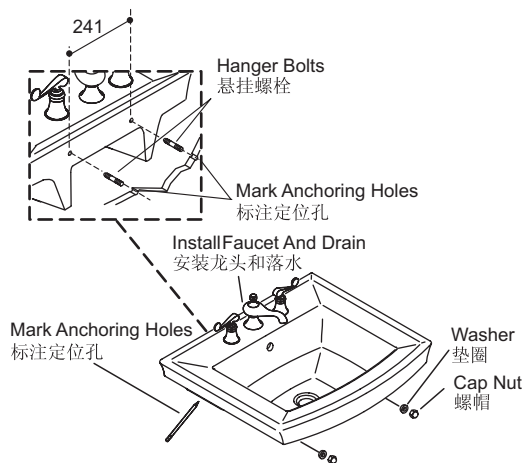


- 把立柱安装孔对准地面的孔。
- 用木螺钉及垫圈将立柱固定在地面上，拧紧木螺钉。

CAUTION: Risk of product damage. Do not overtighten. Overtightening may cause damage to the product.

小心: 有产品损坏之危险。不要把螺钉上得过紧，否则可能损坏产品。

- Set the lavatory on the pedestal so the hanger bolts extend through the lavatory holes.
- Level the lavatory.
- Install the cap nuts and washers, and tighten until snug.



- 将洗面盆放于立柱上，使悬挂螺栓穿过洗面盆的孔。
- 调平洗面盆。
- 安上螺母及垫圈，拧紧。

CAUTION: Risk of product damage. Do not overtighten the cap nuts. Overtightening may cause damage to the product.

小心: 有产品损坏之危险。不要把螺母上得过紧，否则可能损坏产品。

- Connect and tighten the trap. Connect the hot and cold water supplies to the faucet.

- 联接，不拧紧弯管于下水管将热水及冷水管与水龙头联接。

IMPORTANT CONSUMER INFORMATION

用户须知

CARE AND CLEANING

护理及清洁

To keep your lavatory looking new, make sure you rinse it out thoroughly after each use. **DO NOT USE ABRASIVES** on this product, as they will scratch and ruin the surface. Stubborn stains, paint, or tar can be removed with turpentine or paint thinner.

为保持脸盆常新，请确保每次使用后立即彻底冲洗，**但切勿用腐蚀性清洁剂**，以防止刮花或磨损盆面。如有顽渍、油漆或柏油点，可用松油或油漆稀释剂清洗。