


BEFORE YOU BEGIN

安装之前

- Please read these instructions carefully to familiarize yourself with the required tools, materials, and installation sequences. Follow the sections that pertain to your particular installation. This will help you avoid costly mistakes. In addition to proper installation, read all operating and safety instructions.
- All information in these instructions is based upon the latest product information available at the time of publication. Kohler China reserves the right to make changes in product characteristics, packaging, or availability at any time without notice.
- These instructions contain important care, cleaning, and warranty information-**please leave instructions for the consumer.**
- Before installation carefully inspect the new fixture for any signs of damage.
- The product complies with GB/T10357.4-2013, GB/T10357.5-2013 and GB24977-2010.

 **WARNING: Risk of electrical shock.** A licensed electrician should make all electrical connections.

 **WARNING: Risk of electrical shock.** Connect only to a circuit protected by a typical two-pole circuit breaker.

 **WARNING: Risk of electrical shock.** Disconnect power before servicing.


- 请仔细阅读本指引,以便熟悉所需工具、物料及安装程序。请遵照适用的章节来安装本产品,以免安装失当导致不必要的损失。除了有关正确的安装方法之外,还务请详阅所有操作及安全指引。


- 本指引所载之一切资料,均以印刷时所有之最新产品情况为基础,科勒中国保留权利随时更改产品特性、包装或供应情况,恕不另行通知。


- 说明书包括重要的安装、清洁及保养方面的内容,请把这些资料交给用户阅读,保管。

- 安装之前,仔细检查产品是否有损伤。

- 本产品符合 GB/T10357.4-2013, GB/T10357.5-2013 和 GB24977-2010。

 **警告: 有触电的危险。** 请找合格的电工来进行所有的线路连接。

 **警告: 有触电的危险。** 仅能和双极型断路器保护的电路连接。

 **警告: 有触电的危险。** 工作之前先切断电源。

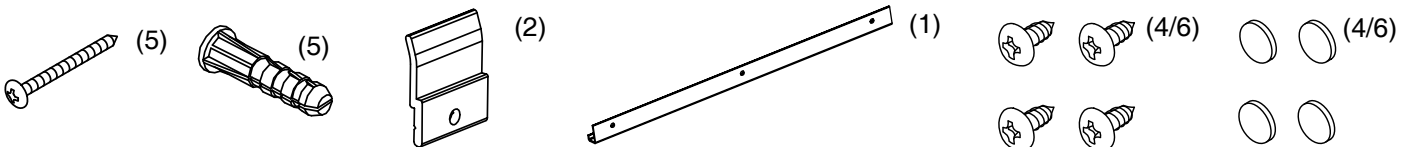
TOOLS REQUIRED

所需工具



ACCESSORIS LIST

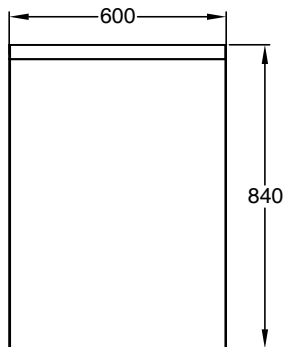
随附清单



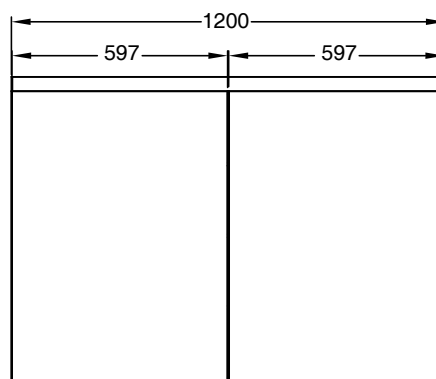
ROUGHING-IN

尺寸图

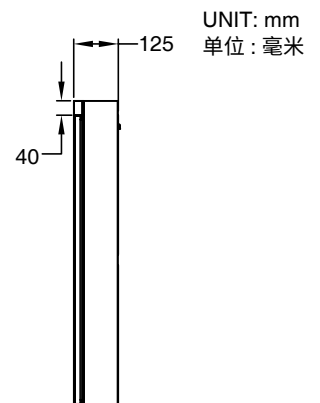
Reference Value
参考值



K-23961T

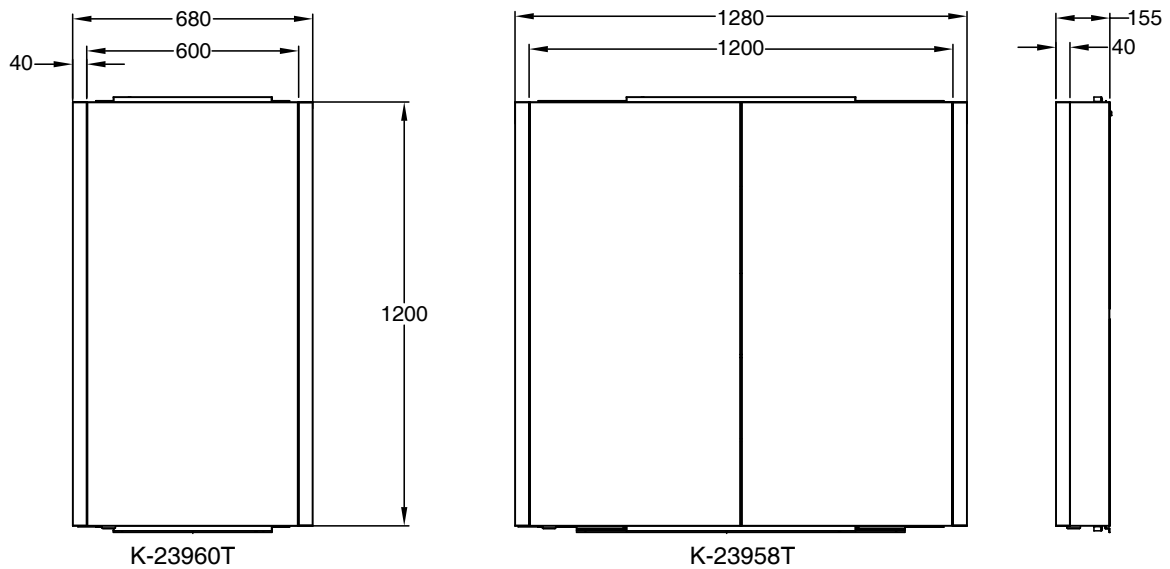


K-23959T



UNIT: mm
单位: 毫米

ZHONGSHAN KOHLER SHOWER CO., LTD. NO13-1, XINGYE ROAD, ZHONGSHAN TORCH DEVELOPMENT ZONE, ZHONGSHAN, GUANGDONG, CHINA POST CODE: 528437
 中山科勒卫浴有限公司 广东省中山市中山火炬开发区兴业路 13-1 号 邮编:528437



Kohler reserves the right to change marked dimensions without prior notice.
科勒公司保留随时变更图中标示尺寸的权利，无需另行通知。

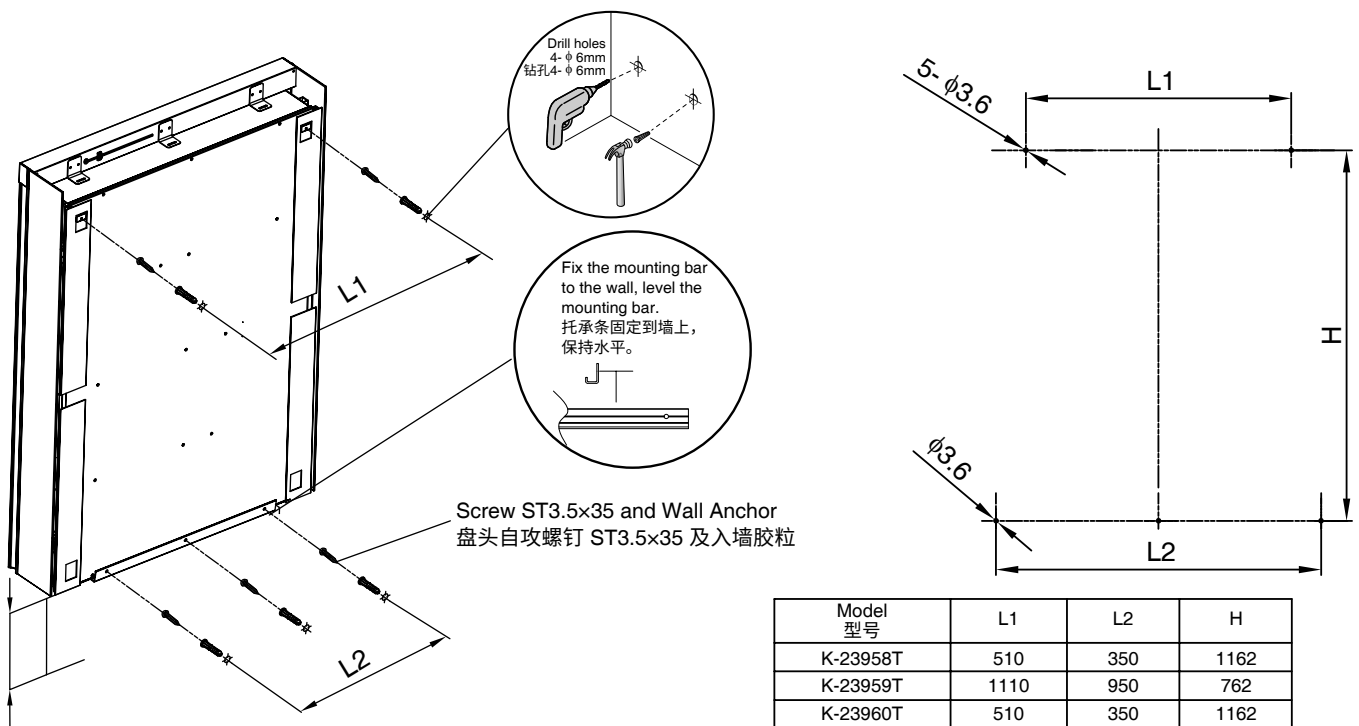
ELECTRICAL PARTS LIST

电器部件清单

Item 序号	Electrical Function 电器功能	Type Description 规格描述	Fixate Place 安装位置
1	Top Lighting 顶灯	Input: DC12V, Pmax=10W, LED 4000K	Top of mirrored cabinet 镜柜顶部
2	Side Lighting 竖具	Input: DC24V, Pmax=11W, LED 4000K	Two side of mirrored cabinet 镜柜两侧
3	Tast Lighting 氛围灯	Input: DC12V/24V, Pmax=8W, LED 4000K	Top/bottom of mirrored cabinet 镜柜顶部 / 底部

INSTALLATION

安装

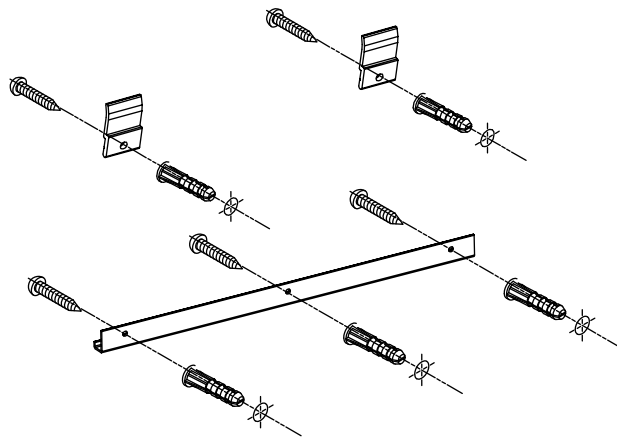


76 mm from top part of the countertop (such as faucet)
距台面最高点（如水龙头把手）76 mm

Screw ST3.5×35 and Wall Anchor
盘头自攻螺钉 ST3.5×35 及入墙胶粒

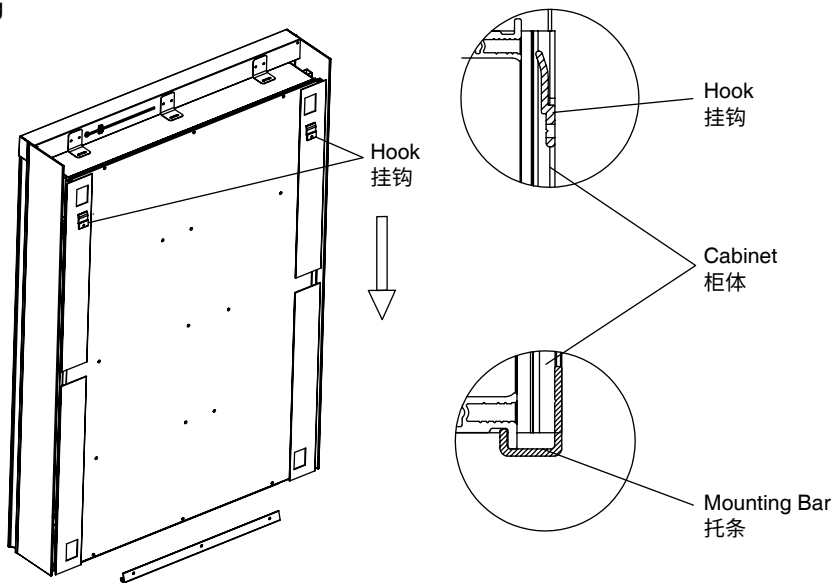
Model 型号	L1	L2	H
K-23958T	510	350	1162
K-23959T	1110	950	762
K-23960T	510	350	1162
K-23961T	1110	950	762
Customized model 定制型号	Depth of the mirrored cabinet-90 镜柜宽-90	Depth of the mirrored cabinet-250 镜柜宽-250	Height of the mirrored cabinet-38 镜柜高-38

STEP1: Drill holes, then install mounting bars and hooks according to the installation template.
 安装步骤一：按照安装模板钻孔、安装托条、挂钩。



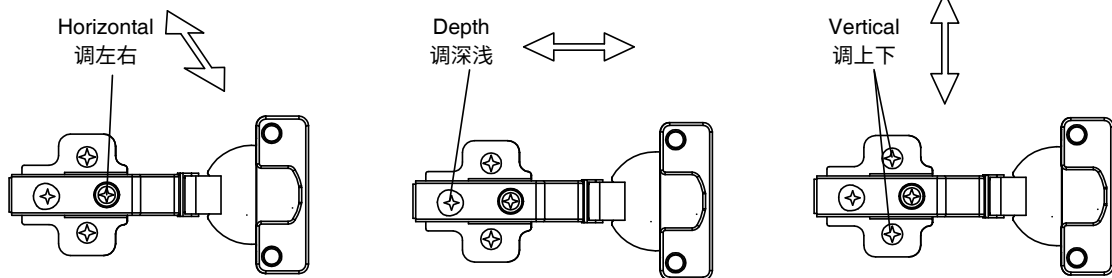
STEP2: Fix the cabinet by first aligning the hook holes on the back of the cabinet with the hooks. After aligning, slide the cabinet down against the wall and into the bracket to finish installation.

安装步骤二：固定柜体，将柜体背部挂钩孔对准挂钩，对准后将柜体靠墙向下滑动，柜体落入托条，柜体安装完毕。

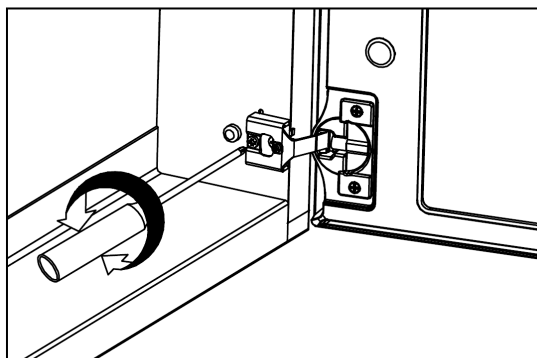


STEP3: Adjust the door (only necessary if the door does not completely match the cabinet when it is closed).
 安装步骤三：调门体(当关门时门体和柜体不完全重合时，才需要调节)。

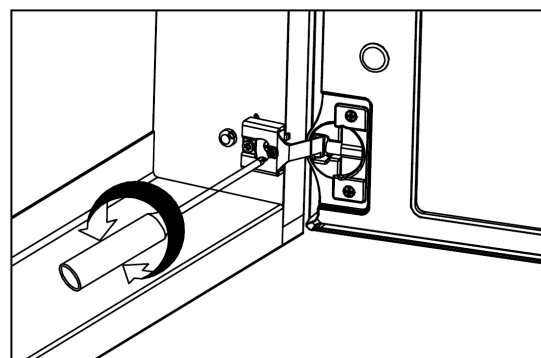
European hinge adjustment
 欧式铰链调节



American hinge adjustment
 美式铰链调节



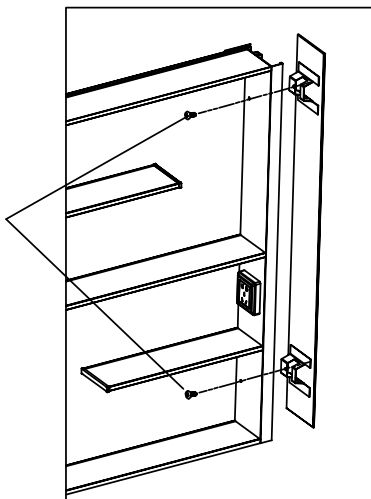
Depth Adjustment
 调节深度



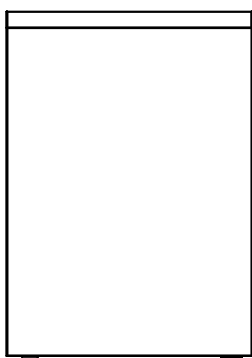
Side Adjustment
 调节侧面

STEP4: Install the side mirror.
 安装步骤四：安装侧镜。

Secure the side mirror bracket with M4X12 screws (note the position of the side mirror mounting holes)
 用M4X12螺丝固定侧镜支架
 (注意侧镜安装孔位置)



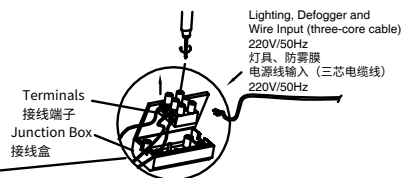
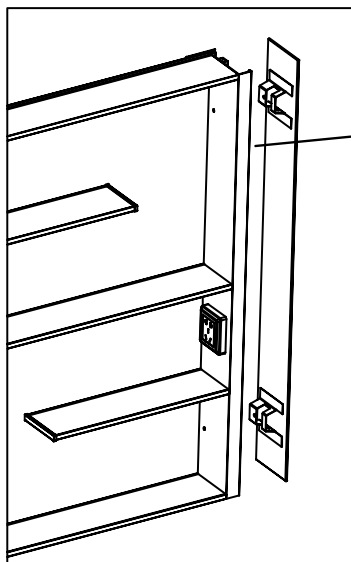
Mirror cabinet inductive switch:
 镜柜感应开关：
 The lighting and defogger can be turned On/Off with the inductive switch at the lower-left corner of the mirror cabinet.
 灯具和防雾膜可通过镜柜右下角的感应开关实现开关。



Inductive part of the mirror cabinet
 镜柜感应处

Power line access
 电源线接入

- A. The terminals are located at the top or side of the mirrored cabinet. Before the power cord is connected, open the junction box and lift up the terminals.
- A. 接线端子位于镜柜的上部或侧面，电源线接入前将接线盒打开，把接线端子往上提出。
- B. After the power cord is connected, replace the terminals and close the cover of the junction box.
- B. 电源线接好后，再将接线端子装回，合上接线盒盖。



- Note:**
1. The lamps are LED lights, with controllable sensor switches.
 2. The power cord of the power outlet is recommended to be wired separately to maintain a constant power-on state.
 3. The total power of the external power supply of the power socket should not exceed 1500W.
- 注：**
1. 灯具为LED灯，感应开关可控。
 2. 电源插座的电源线建议单独接线，以保持常通电的状态。
 3. 电源插座外接电器总功率不能超过1500W。

USER MAINTENANCE

日常维护

Warning! Risk of product damage.

The bathroom shall be kept in good ventilation. Clean the cabinet with water and soft cloth. Do not use detergent containing abrasive and chemical substance.

警告！小心产品受损。

卫生间尽量保持空气畅通，镜柜只能使用蘸有清水的湿布擦拭，勿使用含研磨剂及化学物质的清洁剂。