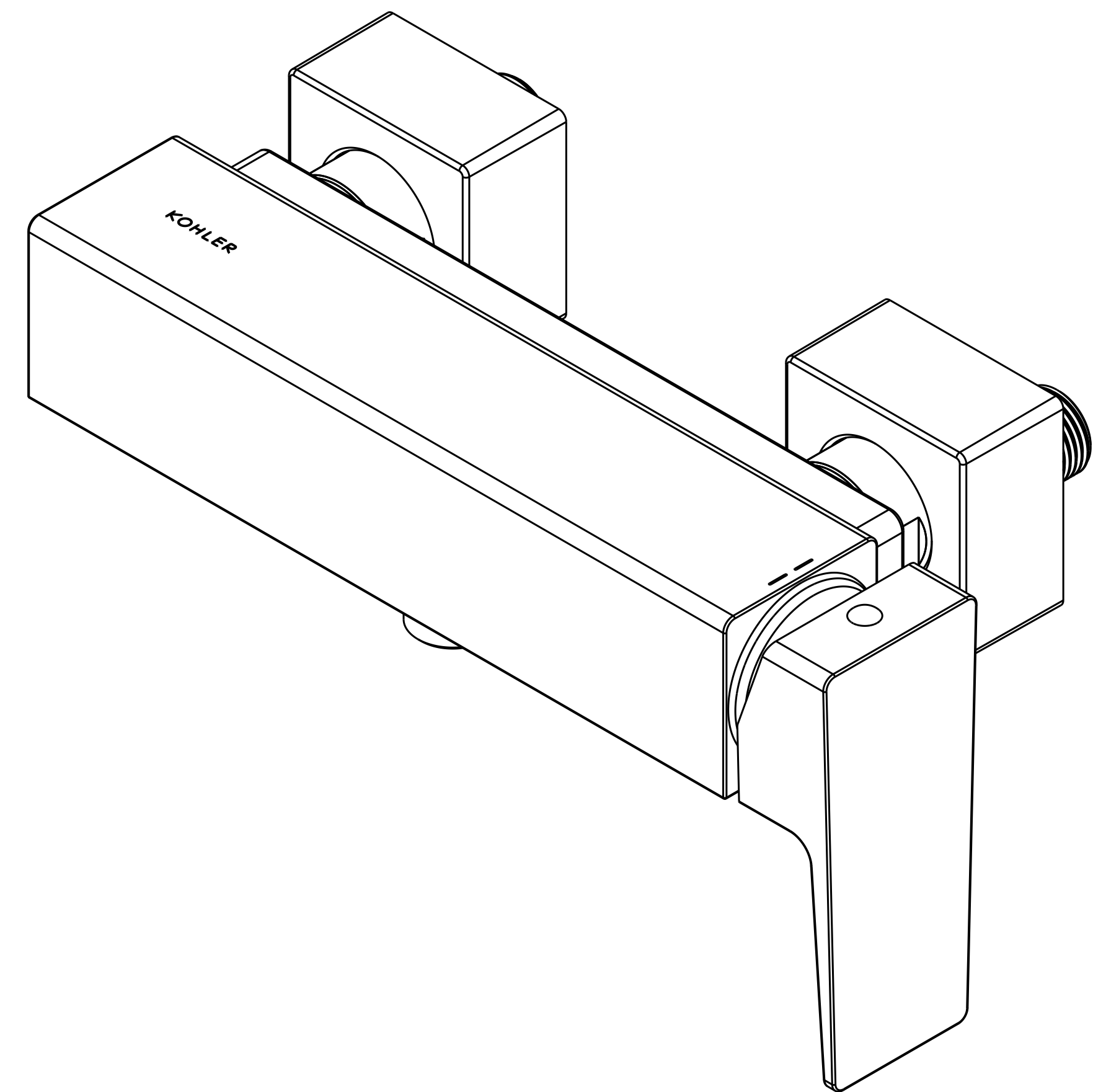
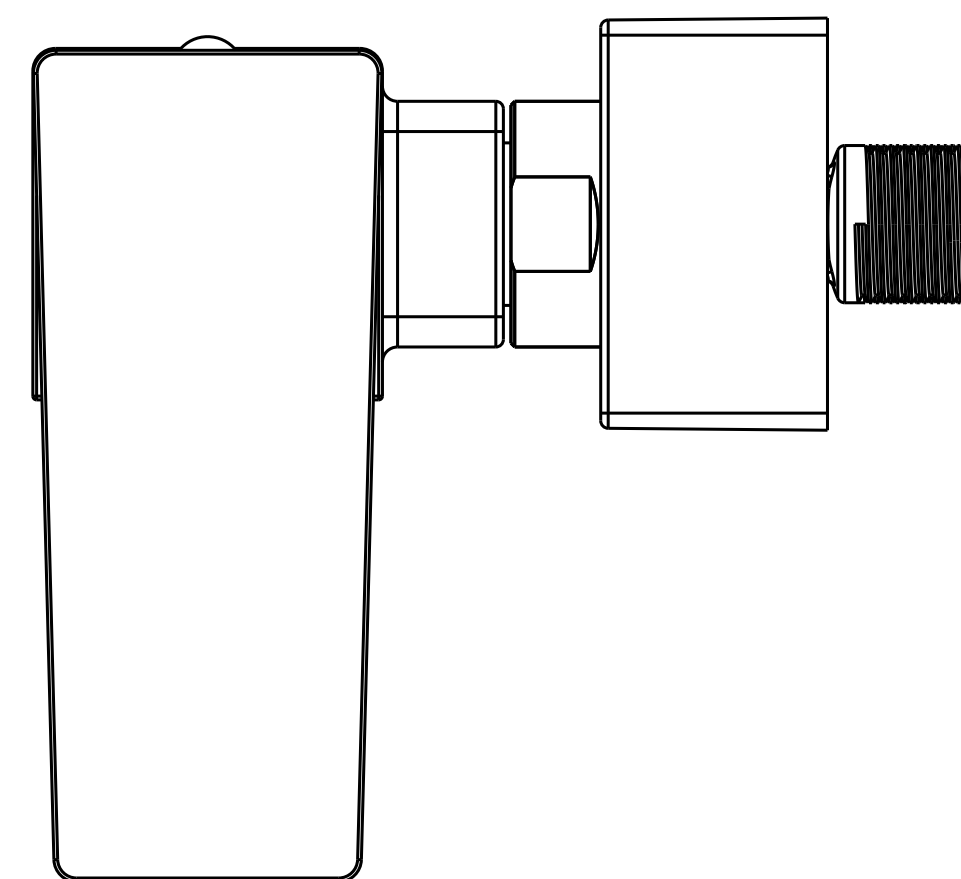
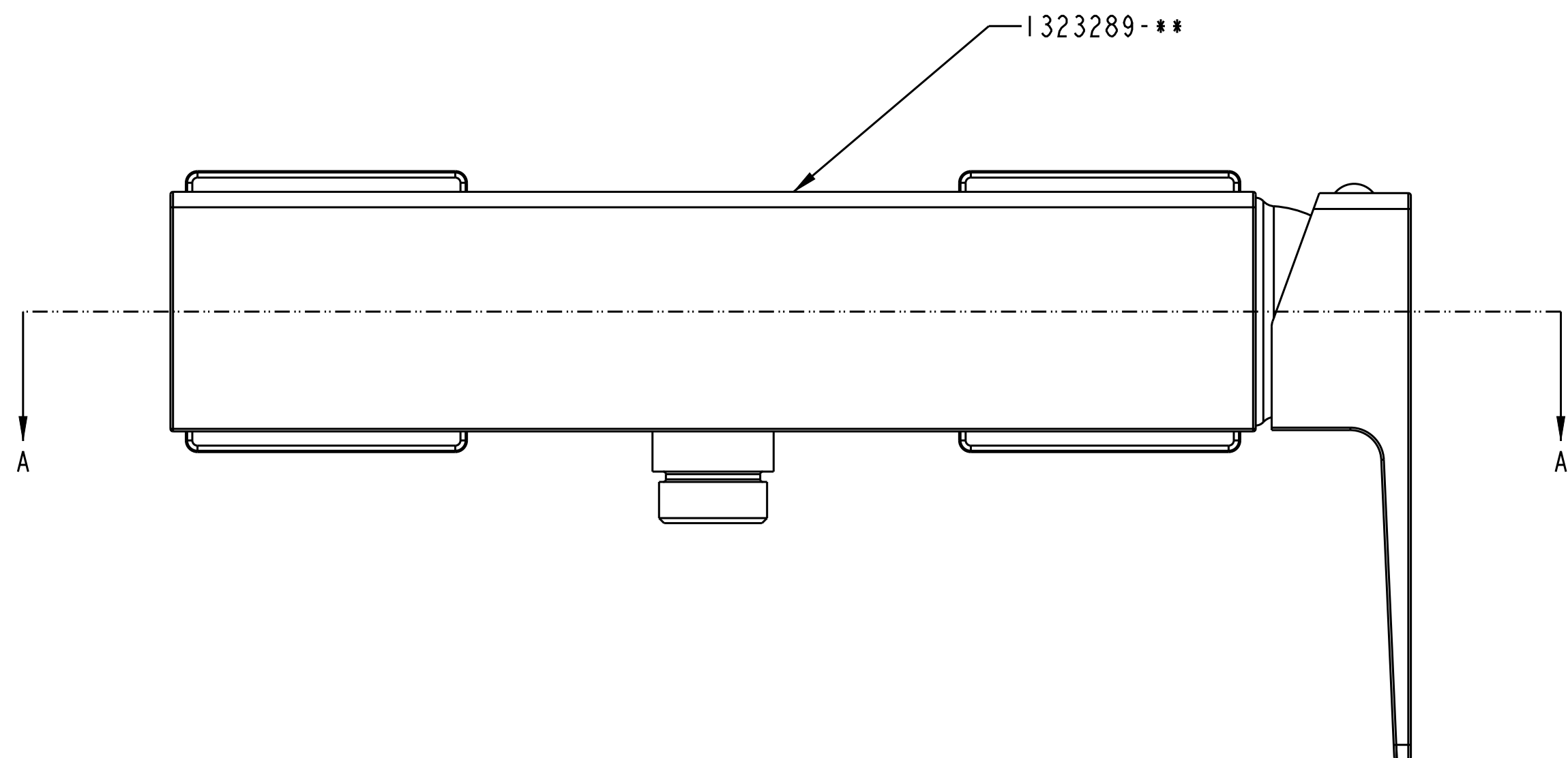


SECTION A-A



NOTES :

- DELIVERED WITH : HANDSHOWER 1236560-***
 WALL BRACKET 1059041-***
 HANDSHOWER HOSE 1248781-***
 WRENCH, HEX 833730

2. PACKAGING AND FINISHED PART "-***" ARE DEFINED ON THE BOM

ALL MATERIALS DOCUMENTED OR DESCRIBED ON THIS PRINT MUST COMPLY WITH KOHLER POLICY PEP-ENL-001 PRODUCT ENVIRONMENTAL POLICY RESTRICTED MATERIALS LIST

ALL DIMENSIONS IN: MILLIMETERS					DIMENSIONING AND TOLERANCING PER ASME Y14.5M-1994									
					TOLERANCES UNLESS OTHERWISE SPECIFIED .XXX ± 0.010 .XX ± 0.02 .X ± 0.1 ANG ± 3.0	APPROVED	ANAN THILAI	DATE	10.20.17	PLOT DATE	01.27.21	SCALE	1.000	
						DRAWN	DATE	CHECKED	DATE				DWG	D
						Y.SASAPIN	10.20.17	P.CHAOWANAN	10.20.17				SIZE	
						DO NOT SCALE DRAWING		CRED						
						KOHLER KOHLER CO. KOHLER, WISCONSIN 53044		THIRD ANGLE PROJECTION 		ASSEM NAME: 24749X-4				
					THIS DRAWING IN DESIGN AND DETAILS IS THE PROPERTY OF KOHLER CO. AND MAY NOT BE USED EXCEPT IN CONNECTION WITH KOHLER CO. WORK. ALL RIGHTS OF DESIGN OR INVENTION ARE RESERVED.					DESCRIPTION HONESTY EXPOSED SHOWER VALVE MIXER		DWG. NO. 24749X-4		
					DWG REVISION RECORD					SHT NO. 1 of 1				