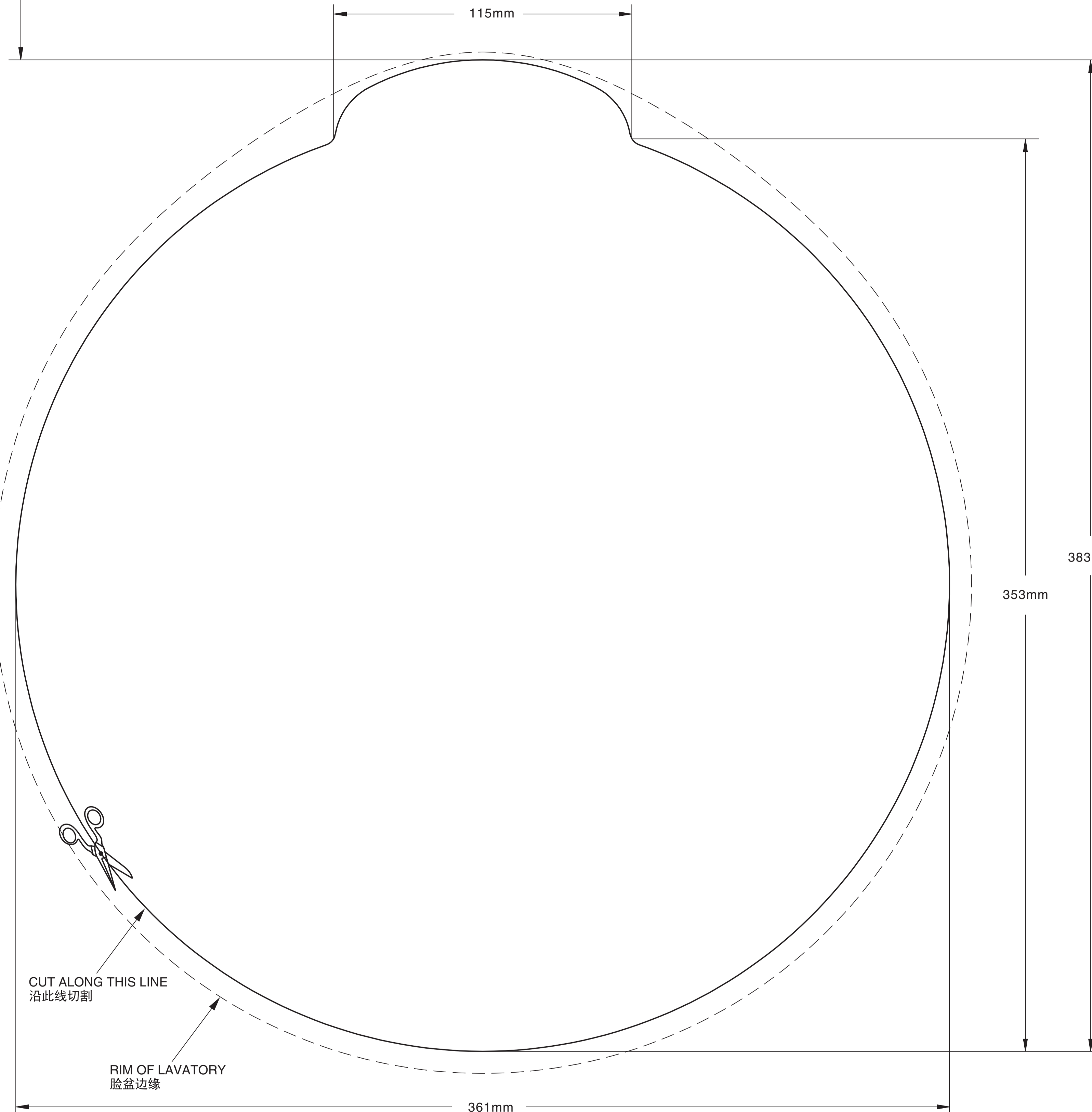


NOTE: BEFORE CUTTING COUNTERTOP ALLOW FOR HANDLE CLEARANCE.
注意: 切割台面前, 请预留龙头把手的操作距离。



CUT ALONG THIS LINE
沿此线切割

RIM OF LAVATORY
脸盆边缘

K-26408T VEIL 维亚

BEFORE YOU BEGIN

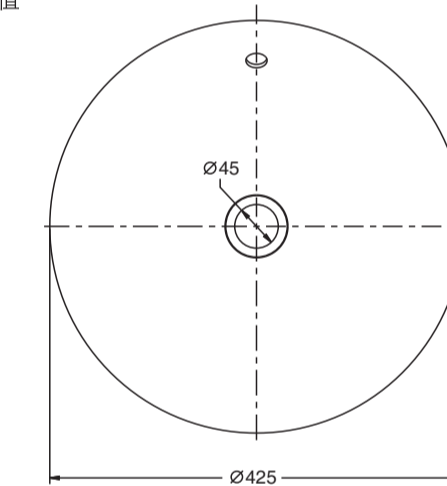
- Observe all local plumbing and building codes.
- Inspect the waste and supply tubing, replace if necessary.
- Prior to installation, unpack the new lavatory and carefully inspect it for damage. Return the lavatory to its protective carton until you are ready to install it.
- For replacement installations, make sure the existing cutout is the same or smaller size as the new lavatory.
- Use the template supplied with the lavatory to mark correct size cutout.
- Kohler lavatory is made according to American National Standard that it can match the American lavatory fittings. Any other lavatory fittings may not fit for Kohler lavatory.
- Fixture dimensions are nominal and conform to tolerances established by ASME Standards (A112.19.2-2018).
- The product complies with Q/FKL 01-2018.

TOOLS AND MATERIALS (Not Supplied)

- Template (supplied)
- Safety Glasses
- Pencil
- Scissors
- Tape Measure
- Putty Knife
- Plumbers putty
- Hacksaw
- Keyhole Saw or Saber Saw
- Drill (13mm or 1/2" dia. drill bit or larger)
- Adjustable Wrench
- Pipe wrench
- Tubing Cutter
- Sealant
- Tape

尺寸图

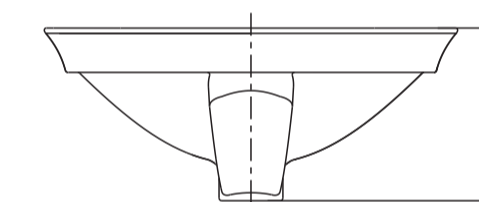
Reference Value
参考值



Kohler reserves the right to change marked dimensions without prior notice.
科勒公司保留随时变更图中标示尺寸的权利, 无需另行通知。

ROUGHING-IN

Unit: mm
单位: 毫米



	Length 长	Width 宽	Height 高	Depth 盆深
Outer 外尺寸	425	425	175	
Inner 内尺寸	420	420		129

INSTALL NEW LAVATORY

- Cut the template on the cutout line with scissors.
- Position the template on the countertop to determine lavatory installation position. Make sure enough space between the lavatory, faucet and backsplash.

Note: Please take faucet dimension into account. If the lavatory installation position is too close to the wall, the drain lift rod might experience difficulty in fixing and using.

- Trace the template with a pencil (B) to map the outer rim of the lavatory onto the countertop.

- Drill a ϕ 13mm hole on the inside of the cutout opening.
- Cut the opening in the countertop along the inside edge of the pencil line.
- Drill the faucet installation hole according to faucet and countertop dimension.

Note: The faucet installation hole shall be precisely drilled, otherwise, it may affect faucet performance in the future use.

- Temporarily position the lavatory in the opening, and adjust to fit.

CAUTION: Risk of personal injury or product damage. Large lavatories are very heavy. Get help lifting the lavatory into place.

安装之前

- 留意当地所有给排水及建筑规定。
- 检查污水管及供水管, 如有需要请更换。

- 安装之前, 先开启新脸盆的包装, 并小心检验新的脸盆是否有损坏。再将脸盆放回包装盒内, 到安装时才取用。
- 若为更换新脸盆, 须确保现有的柜台孔口与新脸盆的切割位相同或较后者小。
- 请使用同时印在此说明书上的切割图, 标正确之切割位。
- 科勒洗脸盆是根据美国标准制造的, 与美式洗脸盆配件相配。其它洗脸盆配件可能与之不相配。

- 部件尺寸为标定值, 误差符合美国 ASME 标准 (A112.19.2-2018)。

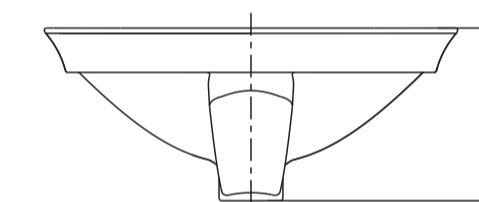
- 本产品符合企业标准 Q/FKL 01-2018。

所需工具及物料

- 模板 (已提供)
- 护眼镜
- 铅笔
- 剪刀
- 卷尺
- 涂油灰刀
- 水管用油灰
- 钢锯
- 匙孔线锯或手提电锯
- 钻 (直径为 13mm 钻头或更大)
- 活动扳钳
- 喉管扳钳
- 切管刀
- 密封胶
- 生料带

ROUGHING-IN

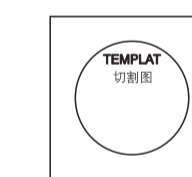
Unit: mm
单位: 毫米



	Length 长	Width 宽	Height 高	Depth 盆深
Outer 外尺寸	425	425	175	
Inner 内尺寸	420	420		129

安装新脸盆

- 用剪刀沿切割线将切割图剪出。

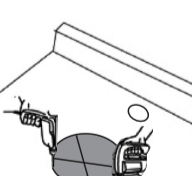


- 将切割图放在盥洗台上, 定出洗脸盆的安装位置。确保脸盆、龙头和防溅板之间有足够的空间。

注意: 洗脸盆在台面的安装位置应考虑须安装龙头的尺寸, 如太靠近墙面, 可能会使排水提拉杆无法安装或不能正常使用。



- 用铅笔在台面上沿切割线画出切割轮廓。



- 用一个 13mm 的钻头, 在切割口内侧钻一个导孔。
- 沿着自切割图勾划出来的铅笔线内侧切开台面。
- 根据安装的龙头和台面尺寸, 正确切割龙头安装孔。

注意: 开龙头安装孔的尺寸一定要准确, 否则可能会使龙头无法正常使用。

- 暂将脸盆放入台面开口, 校正位置。

CAUTION: Risk of personal injury or product damage. Large lavatories are very heavy. Get help lifting the lavatory into place.



ROUND VESSEL 圆形时尚脸盆 CUT-OUT TEMPLATE / INSTALLATION INSTRUCTIONS 切割图/安装说明书

- Remove the lavatory. Install the faucet according to the manufacturer's instructions.

- It is suggested to use the pop-up drain supplied. Seal the connection between the drain and pipe end with tape to avoid leakage.

- If touch-activated drain is used, please fix the cover of drain onto the touch-activated drain (for 1142103-CP and 1095926-CP only, and please replace the washer with the rubber washer supplied.)

- Apply sealant to the installation area.

- Carefully position the lavatory in the cutout, and press down firmly.

CAUTION: Risk of personal injury or product damage. Large lavatories are very heavy. Get help lifting the lavatory into place.

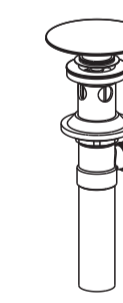
- Immediately wipe away any excess sealant, and fill any voids as needed.
- Verify that the lavatory has not moved out of position.
- Allow the sealant to cure for at least 30 minutes before proceeding.
- Connect the faucet supply lines.
- Connect the drain assembly.
- Open the faucet valves, and check for leakage.
- Clean up with a non-abrasive cleaner.

Note 1: Make sure horizontal and vertical dimensions match dimensions labeled on the template.
Note 2: It is prohibited to use epoxy resin as the sealant.
Note 3: Faucet needs to be tightly connected with inlet and outlet supplies. Otherwise, it may lead to leakage.

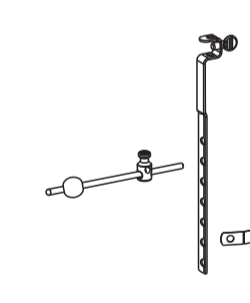
IMPORTANT CONSUMER INFORMATION (CARE AND CLEANING)

- To keep your lavatory looking new, make sure you rinse it out thoroughly after each use. DO NOT USE ABRASIVES on this product, as they will scratch and ruin the surface. Stubborn stains, paint, or tar can be removed with turpentine or paint thinner.
- Do not use the product in the water below 0°C.
- Please do not use hard materials (like scouring pad) to clean product surface, especially the product logo.

SERVICE PARTS



1372441
Drain Main Part
台盆落水



1372442
Drain Accessories
落水连接组件



1311408-
Overflow Cover
溢流盖

Color code (*) or finish (**) must be specified when ordering.
订购时请说明颜色代码(*)或表面处理(**)

- 将脸盆移开。按照制造商的指引, 安装水龙头。

- 建议使用配套的提拉式去水器。安装去水器时请用生料带密封去水口与尾管连接处, 防止漏水。

- 如使用脚踏式去水器, 请将随货供应的去水器的排水盖替换到脚踏式去水器上 (因科勒脚踏落水器 1142103-CP 和 1095926-CP, 同时排水盖的密封圈需替换成随货供应的片状橡胶垫圈)。

- 在脸盆安装面涂抹密封胶。

- 小心地将脸盆置于台面切口适当位置, 向下按牢。

CAUTION: Risk of personal injury or product damage. Large lavatories are very heavy. Get help lifting the lavatory into place.

- 立即擦去多余的密封胶, 如脸盆外缘与台面向有缝隙, 即用胶填满。
- 检查脸盆的位置正确。

- 最少待三十分钟, 让密封胶干透后, 方可继续进行安装。
- 连接水龙头供水管。
- 连接排水装置。
- 开启水龙头阀门, 检查有无渗漏。

- 用非腐蚀性清洁剂来清洁。

注1: 请确保切割尺寸与切割图上标识相同。

注2: 禁止使用环氧树脂胶。

注3: 龙头与进水、排水管件连接要牢固, 如连接不牢固, 有漏水的可能。

用户须知 (护理和清洁)

- 为保持脸盆光洁如新, 须确保每次使用后彻底冲洗干净, 切勿使用腐蚀性的清洁剂, 以免刮花及破坏脸盆的表面。要清除顽固污垢, 油漆或柏油, 可使用松油或油漆稀释剂。
- 不要在 0°C 以下的水环境中使用。
- 请勿使用钢丝球等硬质材料擦洗产品表面, 特别是产品商标处。

维修零件