

K-26799T-CP COMPONENTS WIDESPREAD TOUCHLESS LAV FAUCET 艺廷八寸感应脸盆龙头

安装之前

BEFORE YOU BEGIN

所有的资料是按最新出版的产品资料编写而成。科勒公司保留任何时候不经通知即可改变产品特性、包装或产品可供类型的权利。说明书包括重要的安装、保养及清洁方面的内容，请把这些资料交给用户阅读。

All the data is compiled per latest product version. Kohler Co. reserves the rights to change the product characteristics, packaging or product models without prior notice. The manual includes important contents for installation, maintenance and cleaning. Please delivery to customer for reference.

注意事项：

1. 一定要先彻底冲洗供水管以清除管道中的杂质，使用水源为自来水或可供饮用水。
2. 请勿将强力及冲击施于产品，以免造成故障，引起漏水。
3. 安装、清洁龙头时，切勿损伤感应窗口表面，以免造成故障。
4. 安装时注意电池的正负极不能装反，电池盒盖要拧紧，防止电池受潮。
5. 请勿使产品感应窗口靠近强紫外线或电磁场。
6. 修理面盆时，用黑色电工胶布粘住感应窗口。
7. 检查供水管有无损坏和漏水。如需要，进行替换和维修。
8. 遵守当地管路安装条例。
9. 尽可能在安装脸盆之前安装水龙头。
10. 切断供水管路。

NOTES:

1. Flush the water supply pipes thoroughly to remove debris. Product is designed for tap water or potable water.
2. Do not apply strong force and impact to the product to avoid failure and water leakage.
3. Do not damage sensing eye during faucet installation and cleaning to avoid failure.
4. Pay attention to the +/- polarities of battery during installation, no reverse installation. Tighten the battery box to prevent battery from damping.
5. Do not approach sensing eye to strong ultraviolet or electromagnetic field.
6. Apply black tape to sensing eye when maintaining the wash basin.
7. Check water supply pipe damage and leakage. Replace or maintain the pipe as needed.
8. Observe all local plumbing and building codes.
9. Try to install the faucet before installing the wash basin.
10. Shut off the water supply.

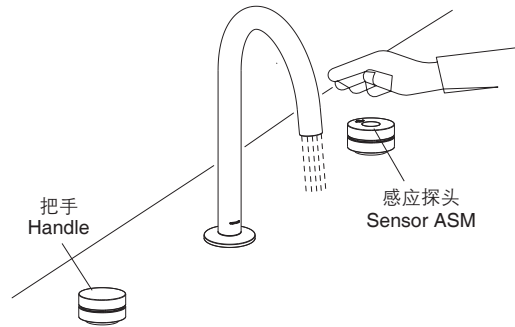
科勒（中国）投资有限公司
中国上海市静安区江场三路158号 邮编：200436
制造商：上海科勒电子科技有限公司
中国上海宝山区丰翔路1955号 邮编：200444

使用说明

OPERATING INSTRUCTIONS

面对水龙头，轻轻向前推动把手，向红标方向转动为热水，向蓝标方向转动为冷水。

当把手处于打开的情况下，手伸到感应头上方感应范围内，水龙头出水。手再伸到感应探头上感应范围内水龙头自动停止出水。



Stand in front of the faucet, push the handle forward slightly. Turn it to hot water along the red sign direction, and turn it to cold water along the blue sign direction.

When handle is in OPEN position, approaching hand to sensing range above the sensor head, water flow out from the faucet. Approaching hand to sensing range above the sensor head again, water stops discharging automatically.

注意：

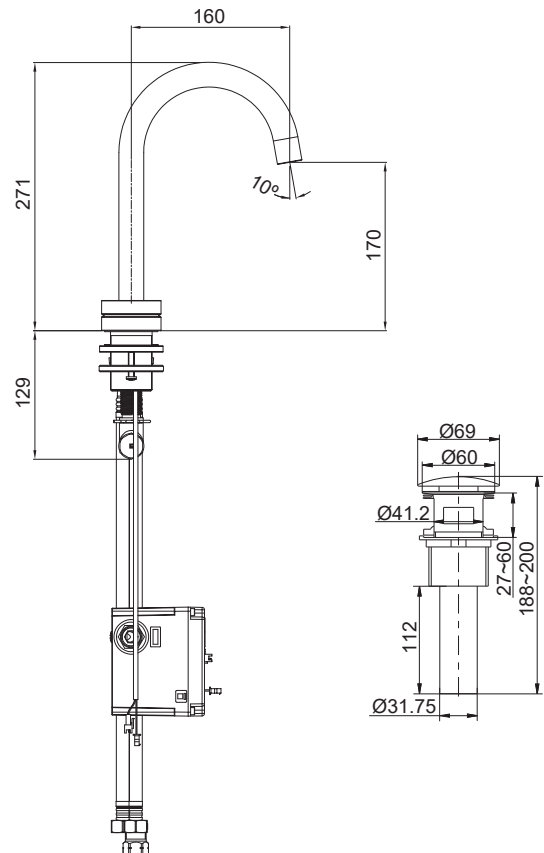
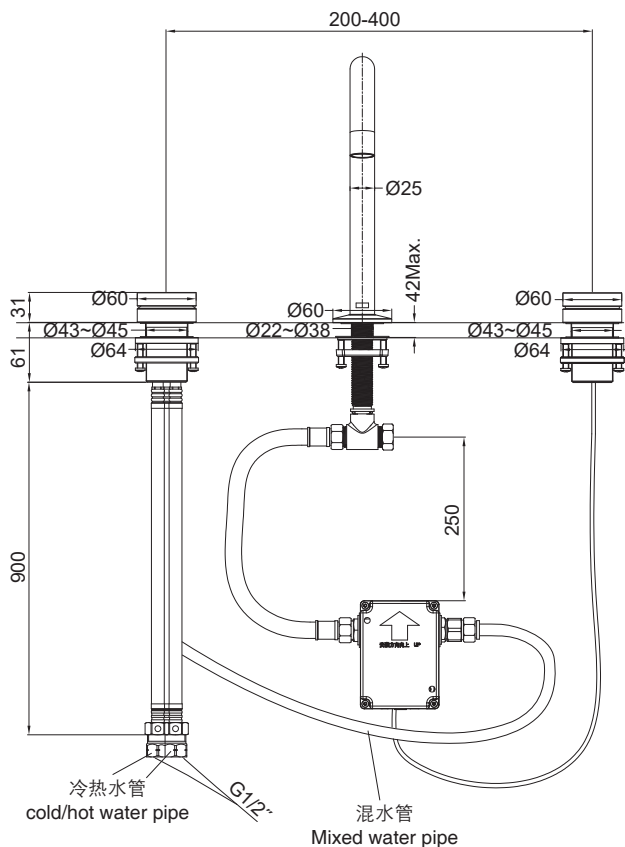
如果使用非推荐的脸盆，可能会产生溅水在脸盆外面等情况。

NOTES:

If non-recommended wash basin is used, water splashing may occur outside the wash basin.

安装尺寸图和阀体组件

ROUGH-IN AND VALVE ASSEMBLY



技术参数

电源：直流 2节5号碱性电池(LR06×2)
检测时间：≤0.35s
关阀延时：≤0.35s
超时用水控制：超时用水4分钟，自动止水。
环境温度：1~55℃
进水温度：0.5~71℃
适用水压：0.05~0.86MPa

TECHNICAL PARAMETER

Power: DC 2 piece of size alkaline batteries (LR06×2)
Testing Duration: ≤0.35s
Turn off Delay of valve: ≤0.35s
Overtime Water Control: Auto stop water supply over 4min.
Ambient Temperature: 1~55℃
Supply Water Temperature: 0.5~71℃
Supply Water Pressure: 0.05~0.86MPa

安装步骤

INSTALLATION STEPS

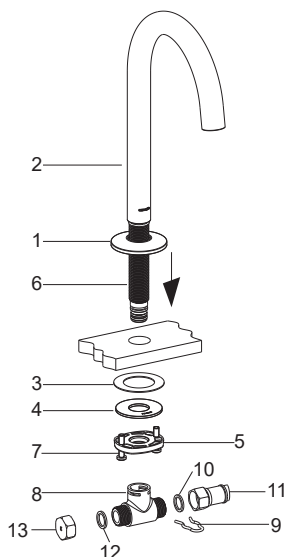
1、如何安装龙头出水嘴

将装饰罩(1)套入出水嘴(2)底部，将带有装饰罩的出水嘴组件插入脸盆安装孔中。

从脸盆下方依次将垫片(3)、钢垫(4)和安装环(5)装入牙管(6)。调整出水嘴位置。旋上安装环，锁紧螺钉(7)以固定出水嘴组件。

将T型接头(8)装入牙管，卡入卡簧(9)。

连接软管(11)到T型接头上，另一端装上带有垫片(12)的堵头(13)。



1. How to install faucet spout

Slide beauty cover (1) into spout (2) from the bottom; insert spout assembly with beauty cover into wash basin installation hole.

Install washer (3), steel washer (4) and installation ring (5) into the threaded pipe (6) from the bottom of wash basin. Adjust water outlet position, tighten locking bolt (7) of installation ring to secure spout assembly.

Install T connector (8) to threaded pipe and snap into the clip (9).

Connect flex hose (11) to plug (13) of another end with washer (12) of T connector.

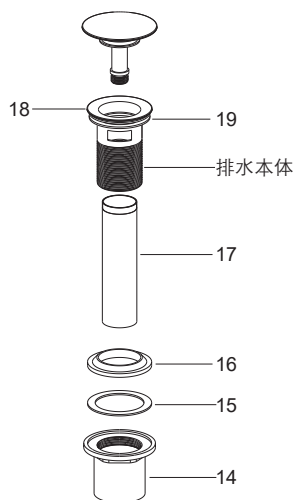
2、如何安装排水器

把锁紧螺母(14)、塑料垫片(15)、橡胶垫圈(16)和尾管(17)从排水本体依次取下。在尾管螺纹处须缠绕足以密封的密封胶带或涂合适的密封胶，并装回排水本体。

把排水本体从脸盆上部孔插入。再依次将橡胶垫圈(小面朝上)、塑料垫片和锁紧螺母从脸盆下方装回到排水本体上。锁紧螺母。

注意：如果需要，可直接在法兰盘(18)底面沿周围涂一圈密封油灰或其它密封剂，而不使用橡胶垫片(19)。

在锁紧螺母拧紧后，不可调整排水本体的位置，否则会破坏油灰或密封剂密封。



2. How to install the water drain

Remove locking nut (14), plastic washer (15), rubber washer (16) and tailpiece (17) from drainage body in turn. Wrap enough sealant tape or apply proper sealant on thread of tailpiece and reinstall back to drain body.

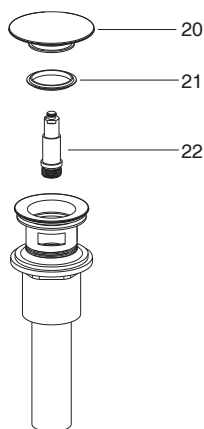
Insert drain body from the top to wash basin, then reinstall rubber washer (small end upwards), plastic washer and locking nut from the bottom of the wash basin back to drain body. Tighten nut.

Note: apply sealant putty to the underside of the flange (18) if needed, instead of using rubber washer (19).

After securing anchor nut, do not adjust drainage body position, otherwise the sealing property will be damaged.

3. 如何更换止水垫及活塞组件

逆时针旋下止水塞(20)，然后取出止水垫(21)。更换新的止水垫。逆时针旋下活塞组件(22)，更换新的活塞组件。装回止水垫及止水塞。

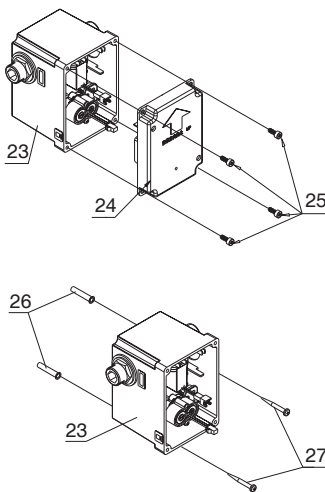


3. How to replace water stop pad and piston assembly

Unscrew water stop plug (20) counterclockwise, remove water stop pad (21). Replace with a new water stop pad. Unscrew piston assembly (22) and replace with a new piston assembly. Reinstall water stop pad and water stop plug.

4. 控制阀组件的安装固定

用内六角扳手拧下阀盒盖螺钉(25)，将阀盒盖(24)打开。根据安装尺寸图确定控制阀组件(23)安装位置，打孔，打入膨胀管(26)，使阀盒紧贴墙面且控制阀向上，再用膨胀螺钉(27)将控制阀组件固定在墙壁上，注意控制阀组件要与墙面保持平行。



4. Control valve assembly installation

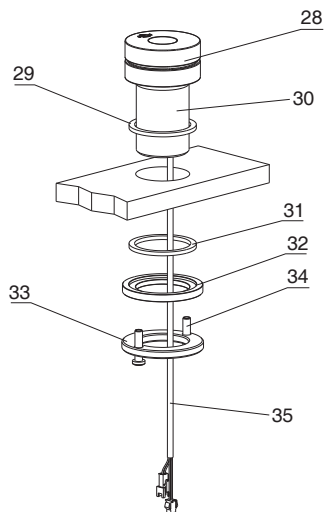
Hex wrench Unscrew valve cover screws (25) and open valve cover (24). Drill installation hole and insert expansion pipe (26) per control valve assembly (23) position specified in rough-in. Make sure valve box against the wall and control valve upwards. Secure control valve assembly on the wall by expansion screws (27), make sure control valve assembly is paralleled to the wall.

5. 如何安装感应组件

将垫片(29)装入感应组件(28)底部凹槽中，将带有垫片的感应组件插入台面安装孔中，调整感应组件挥手标识在正上方。

从台面下方依次将垫片(31)、垫片(32)和安装环(33)装入本体(30)，旋上安装环，锁紧螺钉(34)以固定感应组件。

感应组件的线(35)与控制阀组件内的插头连接。



5. How to install the sensor assembly

Install washer (29) into the bottom groove of the sensor assembly (28), then insert the sensor assembly with washer into mounting hole on the wash basin, adjust the sensor assembly waving mark on the top.

From under the wash basin, slide the washer (31), washer (32) and installation ring (33) into main body (30). Secure installation ring, locking screw (34) on the sensor assembly.

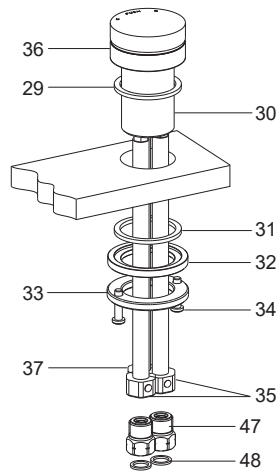
Connect the sensor assembly wire (35) to plug inside the control valve assembly.

6、如何安装把手组件

将垫片(29)装入把手组件(36)底部凹槽中，将带有垫片的把手组件插入台面安装孔中，调整把手，使把手上的红点在左边，蓝点在右边。

从台面下方依次将垫片(31)、垫片(32)和安装环(33)装入本体(30)，旋上安装环，锁紧螺钉(34)以固定把手组件。

把接头(47)带垫片(48)接到水源，然后将进水软管与接头相连，带有红点标签的软管接热水，带有蓝点标签的软管接冷水。将另一根软管(37)连接控制阀体组件进水端。



6. How to install handle assembly

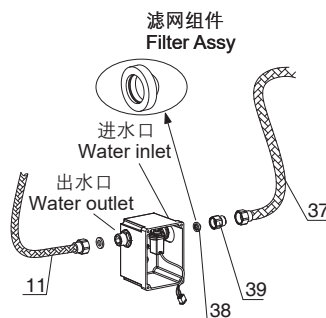
Slide washer (29) into the bottom groove of handle assembly (36), insert handle assembly with washer into mounting hole on the wash basin. Adjust handle so to set the red dot on the left side and blue dot on the right side.

From under the wash basin, slide washer (31), washer (32) into main body (30), screw installation ring (33) and locking screw (34) in to secure handle assembly.

Connect connector (47) with washer (48) to water supply and then connect water inlet hose to connector. Connect hot water to flex hose with red dot label, cold water to flex hose with blue dot label. Connect another flex hose (37) to water inlet end of control valve assembly.

注意:

1. 请用户自备角阀。
2. 请勿将进水口与出水混淆。
3. 进水软管处的滤网组件(38)和接头(39)不要漏装(滤网方向如图)。
4. 在软管(37)连接控制阀组件前，先将角阀完全打开，通水约一分钟以清除管道杂质。



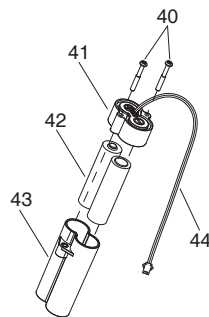
Note:

1. Customer shall provide angle valve.
2. Do not confuse water inlet with outlet.
3. No leak strainer assembly (38) and connector (39) on flex water inlet hose. (Filter direction as shown)
4. Before connect flex hose (37) to control valve assembly, turn on angle valve to fully open, allow water to run through the spout for about 1 minute to remove debris.

取出电池盒组件，拧开螺钉(40)，按电池盒盖(41)上的正负极标示分别装入2节5号电池(42)，锁紧电池盒盖(41)的螺钉(40)后，将电池盒组件放入阀盒的专用槽内。

注意:

电池正负极不能装反，新旧电池不能混用。

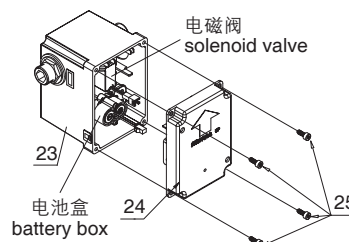


Remove battery box assembly, unscrew screws (40), and install two AA batteries (42) per +/- mark direction on the battery box cover (41) and then secure battery box cover (41) and screws (40). Place battery box assembly into the groove designed for valve box.

Note:

Do not install battery +/- polarity reversely; do not mix new and old batteries.

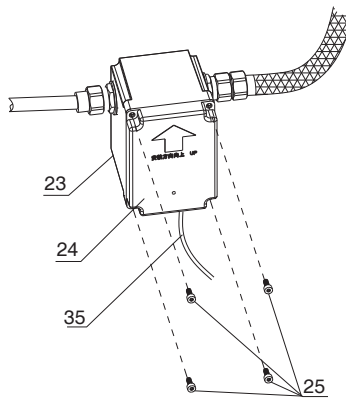
最后，将电磁阀上的红绿线与对应探头组件上的红绿线接插，将电池盒黑橙线与主探头组件上黑橙线接插，再用阀盒盖螺钉(25)拧紧阀盒(23)和阀盖(24)。



At last, connect red/green wire on the solenoid valve to corresponding wire on probe assembly, black/orange wire on battery box to corresponding wire on main probe assembly, then secure valve box (23) and valve cover (24) by cover screws (25).

注意:

在用螺钉(25)固定阀盒(23)和阀盖(24)时, 确保探头线(35)需通过阀盖上U型缺口。



Note:

When secure valve box (23) and valve cover (24) by screws (25), make sure probe wire (35) shall cross through the U slot on valve cover.

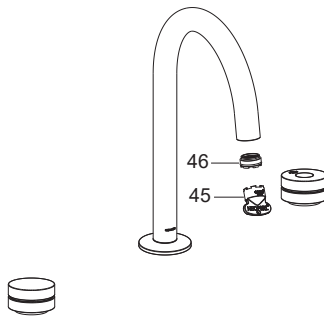
安装结果检查

INSTALLATION RESULT INSPECTION

检查并确保所有衔接处都已拧紧, 确保手柄在关的位置。

打开主要供水源和排水系统, 检查并修理有漏水的接口。

用工具(45)将起泡器(46)拆下; 打开龙头冷热水, 让水流出约一分钟以清除杂质, 检查渗漏。冲洗起泡器, 关闭水龙头, 重新装回起泡器。



Check and make sure all connections are secured and the handle is in closed position.

Turn on main water supply and drainage system, check for leaks and adjust as needed.

Dismantle aerator (46) by tool (45), allow the water to run through the spout for about 1 minute to remove any debris. Check for leaks. Rinse aerator, turn off faucet and reinstall the aerator back.

清理说明

CLEANING INSTRUCTION

适用于所有加工处理过的表面, 以中性肥皂水清洗镀层表面, 再以干净的软布彻底擦干整个表面。许多清洁剂, 比如氨水, 去污粉及洁厕灵等, 会对电镀表面造成伤害, 切忌使用。

有腐蚀性的清洁剂或溶剂不可使用于科勒的水龙头及其配件上。

保持感应窗口清洁, 可用蘸有中性清洁剂的软布擦洗。

注意

- 禁止使用去污粉、研磨粉及油类、酸性类、碱性类清洁剂。
- 禁止直接对感应窗口喷洒空气清新剂、消毒液或其他除臭、清洁类有机溶剂。
- 勿撞击感应窗口。

Applicable to all finished surface, clean coated surface with neutral soap water, and then wipe entire surface with clean soft cloth. Do not use detergents, such as ammonia, cleaning powder and toilet cleaner etc. those detergents will cause plated surface damage. Do not use.

Do not apply corrosive detergent or solvents on KOHLER faucet and fittings.

Keep sensing eye clean. Use a soft rag or sponge with neutral detergent to clean the product.

Note:

- Do not use detergent, abrasive cleaners, acid and alkaline detergent.
- Do not spray air freshener, disinfectant or other deodorizing and organic solvents on the sensing eye.
- Do not impact sensing eye.

1. 感应指示灯的各种闪烁情况

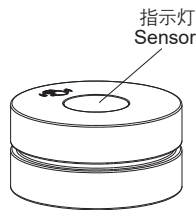
感应指示灯是使用者了解感应龙头有效、唯一的途径。所以明白了感应指示灯闪烁所代表的含义，正确使用感应龙头，如图示：

(1) 快速闪烁，代表感应龙头正处于通电后的两分钟自动调节阶段。期间，安装者、使用者不得干扰其自动调节，感应范围内不要放置物体。

(2) 间隔约6秒钟闪烁一次：代表龙头电池即将耗尽，提醒用户马上更换电池。

(3) 间隔约2秒钟连续闪烁：代表龙头电池耗尽，已停止工作，等待使用者更换电池。

(4) 在正常工作情况下，当有物体被感应时，龙头出水，感应指示灯闪烁一次。（龙头关闭，感应指示灯不闪烁。）



1. Various flashing condition of sensor

Sensor is the effective and only way for customer to understand the induction faucet. Understand the meaning of sensor flashing will help customer use induction faucet properly as shown:

(1) Quick flash indicates induction faucet is in 2 minutes automatic adjusting cycle. The area in front of the sensor must be free of objects; installer and user shall not disturb automatic adjustment cycle.

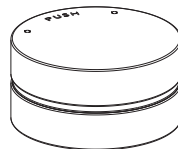
(2) Flash once approximately every 6 seconds: indicates faucet battery is about to run out. Remind customer to replace the batteries immediately.

(3) Flash continuously approximately every 2 seconds: indicates faucet battery is about to run out and wait for customer to replace the batteries.

(4) Under normal working condition, when approaching the sensing distance, water flow from faucet, sensor flash once. (Faucet turns off, sensor does not flash).

2. 把手的操作

面对水龙头，轻轻向前推动把手，向红标方向转动为热水，向蓝标方向转动为冷水。



2. Handle operation

Stand in front of faucet, push the handle forward slightly. Turn it to red label direction for hot water and turn it to blue label direction for cold water.

3. 超时出水控制

龙头感应出水后，如不再次感应止水，则龙头连续出水4分钟后，龙头自动止水。再次感应后，龙头正常出水，否则无反应。

3. Overtime water flow control

After water flowing from faucet, the water will run 4 minutes continuously if the faucet does not sense the water stop action. After sensing the action, water flow out properly; otherwise there will be no reaction.

常见故障排除

以下部分故障现象可通过指示灯闪烁情况识别。（参考“感应指示灯的各种闪烁情况”）

现象	原因	处理方法
不出水 (感应指示灯不闪烁)	无电池或电池装反 感应范围内有其它物体 感应窗口较脏 接线端未插好、插错 把手未打开	检查电池 移开物体 清洁窗口 检查接线端 打开把手
感应指示灯每2秒快速 闪烁1次而不出水	电池耗尽 接线端未接插好	更换电池 重新连接插件
感应指示灯闪烁 不出水	角阀关闭 起泡器脏堵过 滤装置堵塞	打开角阀 清洗起泡器 清洗过滤装置
感应指示灯闪烁 出水量小	角阀是否彻底打开 过滤装置堵塞 起泡器脏 水压太低	打开角阀 清洗过滤装置 清洗起泡器 检查供水系统

如按以上操作仍未解除故障，请与销售商或科勒(中国)投资有限公司联系。
除安装更换电池外，请勿随意拆卸龙头其它部件。

TROUBLE SHOOTING

Following faults shall be identified by sensor flashing (refer to “Various flashing condition of sensor”).

Symptoms	Probable causes	Recommended Action
No water flow (sensor does not flash)	No battery or reversed battery installation Object in sensing range Dirty sensing eye Improper or wrong wiring Handle is not open	Check battery Remove the objects Clean sensing eye Check terminals Open handle
Sensor quick flashes once approximately every 2 seconds, no water flow.	Batteries run out Improper plug in method	Replace batteries Reconnect connector
Sensor flashing No water flow.	Angle valve is off Aerator is dirty and plugged Filter clogged	Turn on angle valve Clean aerator Clean filter
Sensor flashing Low flow	Does angle valve fully open Filter clogged Dirty aerator Supply pressure is low	Open angle valve Clean filter Clean aerator Check incoming water supply

Contact dealer or Kohler (China) investment Co., Ltd. if above failure is not dismissed.
Do not dismantle parts of the faucet randomly except battery installation or replacement.

产品中有害物质含量的说明

回收提示

本产品超过使用期限或经过维修无法正常使用后，不应随意丢弃，请交由有废弃电器电子产品处理资质的企业处理，正确的处理方法请查阅国家或当地有关废旧电器电子产品处理的规定。

有害物质统计表

部件名称	有害物质名称					
	铅 (Pb)	汞 (Hg)	镉 (Cd)	六价铬 (Cr(VI))	多溴联苯 (PBB)	多溴二苯醚 (PBDE)
外壳组件	×	○	○	○	○	○
阀体组件	×	○	○	○	○	○
控制盒组件	×	○	○	○	○	○
*电池盒组件	○	○	○	○	○	○
*电池	○	○	○	○	○	○
*交流电源盒	○	○	○	○	○	○
*进水组件	×	○	○	○	○	○
附件类	○	○	○	○	○	○

- ：表示该有害物质在该部件所有均质材料中的含量均在GB/T 26572现行有效版本规定的限量要求以下。
 ×：表示有害物质至少在该部件的某一均质材料中的含量超出GB/T 26572现行有效版本规定的限量要求。
 *：表示部分机型含有该部件。

注：本表格提供的信息是基于供应商提供的数据及科勒公司的检测结果。本产品应用环保设计理念，在当前技术水平下，所有有害物质或元素的使用已经控制到了最低程度，科勒公司会继续努力通过改善现有技术来减少这些物质的使用。



本产品的“环保使用期限”为10年，科勒公司根据产品设计特性指定该期限。只有在本产品使用说明书所述的正常情况下使用本产品时，“环保使用期限”才有效。

Description of Content of Hazardous Substances in Product

Reclaim Indication

When the product exceeds service life or is unable to use after repair, do not throw the product away in the normal trash. Please dispose the waste electronic parts through a qualified reclamation enterprise. Make sure the product is handled properly. Disposing of product must be done in accordance with the local or national government law.

Statistics of Contents of Toxic or Hazardous Substances or Elements

Part name	Toxic or Hazardous Substance or Elements					
	Lead (Pb)	Mercury (Hg)	Cadmium (Cd)	Hexavalent Chromium (Cr(VI))	Polybrominated biphenyls (PBB)	Polybrominated Diphenyl Ethers (PBDE)
Cover Assy.	×	○	○	○	○	○
Valve Assy.	×	○	○	○	○	○
Control Box Assy.	×	○	○	○	○	○
* Battery Box Assy.	○	○	○	○	○	○
* Battery	○	○	○	○	○	○
* AC Power Box	○	○	○	○	○	○
* Water Inlet Assy.	×	○	○	○	○	○
Accessories	○	○	○	○	○	○

- ：Indicates that the substance in the material composition is below the high limits of the current requirements in GB/T26572.
 ×：Indicates that at least one of the homogeneous substance in the material composition is below the high limits of the current requirements in GB/T 26572.
 *：Indicate only partial product series contains this substance.

Note: the information provided is based on the supplier data and Kohler inspection results. The product is designed not to hurt the environment. Under current technology, all hazardous materials have been used in the smallest amounts possible. Kohler will strive to reduce the use of these hazardous materials used in this product.



The product “service life for environment protection” is 10 years; Kohler Company will specify product service life based on product characteristics. The product “service life for environment protection” is only effective when the product is used as described in the product specification.