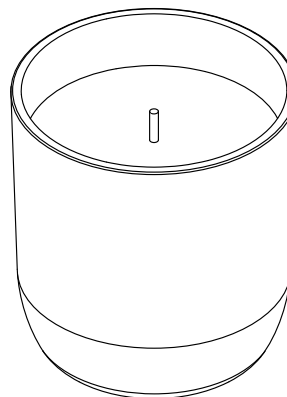


KOHLER®

Protect
Scented Aromatherapy Candle - Shield
26803-A3



Codes/Standards

None Applicable

**KOHLER® One-Year Limited
Warranty**

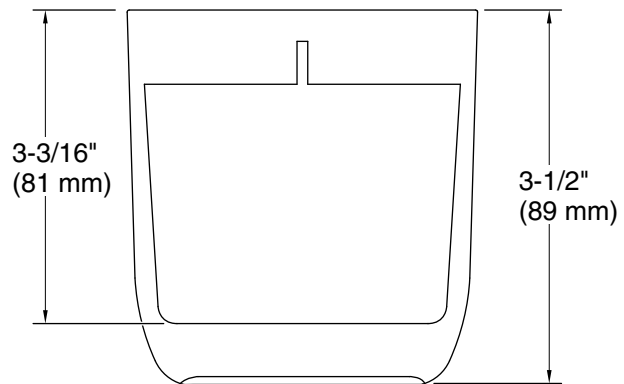
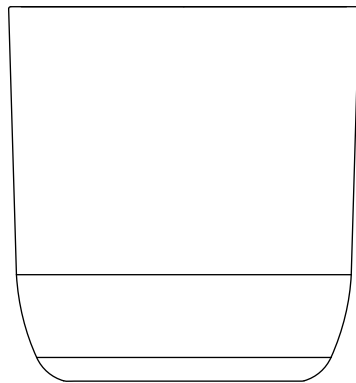
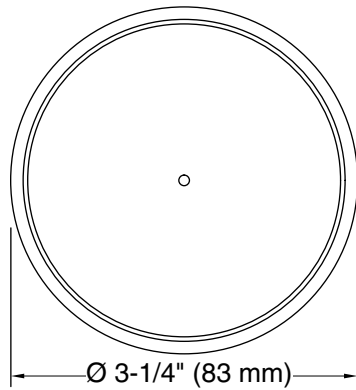
See website for detailed warranty information.

1-844-41-SPRIG (844-417-7744)

Kohler Co. reserves the right to make revisions without notice to product specifications.

For the most current Specification Sheet, go to [StepIntoSprig.com](https://www.stepintosprig.com).

3-6-2024 13:39 - US



Technical Information

All product dimensions are nominal.

Material: Blown Glass

Notes

Install this product according to the installation guide.