

Features

- Full-length magnetic seal keeps door firmly closed, providing excellent water containment
- 1/8" (3 mm) thick tempered and fully framed glass ensures maximum safety and durability
- 64" (1625.6 mm) high, with no minimum head clearance restriction
- Inner and outer full length integrated aluminum handles provide easy operation
- Integrated drip rail directs water back into the shower
- Rain-textured glass provides privacy and decorative design
- Made in the U.S.A

Material

- Anodized aluminum prevents rust and corrosion

Installation

- Fits opening widths 23-1/2" - 25" (597 - 635 mm)
- Requires 1" (25 mm) minimum threshold depth
- Door can be installed to open to the left or right to suit your bathroom layout
- Out-of-plumb adjustability simplifies installation
- For residential use only
- Not for use in hospitality



Codes/Standards


ANSI Z97.1
CAN/CGSB-12.1
CPSC 16CFR 1201

**STERLING® Bath and Shower Doors
Five-Year Limited Warranty**

See website for detailed warranty information.

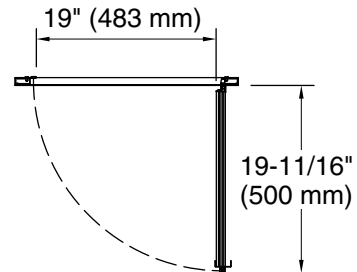
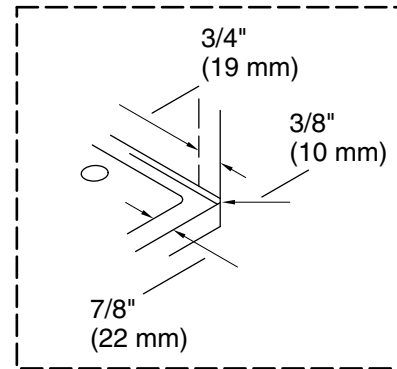
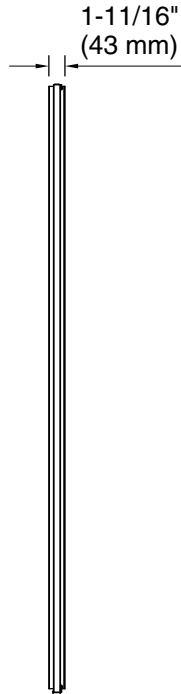
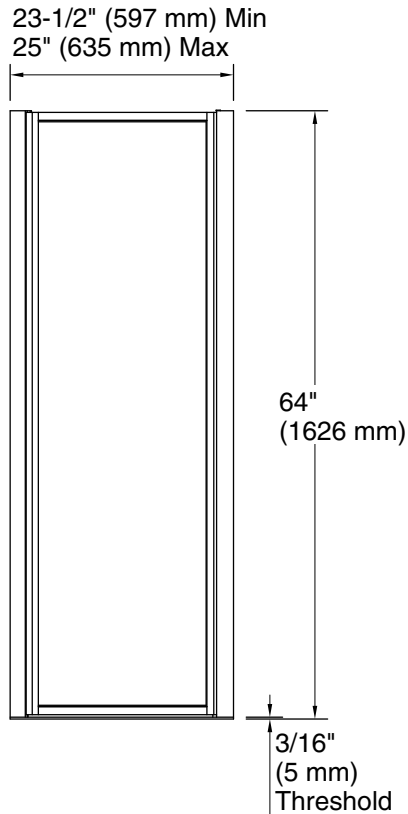
Available Colors/Finishes

Color tiles intended for reference only.

Color	Code	Description
	S	Silver

Available Glass Options

Code	Description
G06	Rain



*Walk-through

Technical Information

All product dimensions are nominal.

Base-To-Wall 3/8" (10 mm)

Radius – Max:

Shower Ledge Min 7/8" (22 mm)

Flat:

Shower Wall Min 3/4" (19 mm)

Flat:

Notes

Install this product according to the installation instructions.

The vertical opening should be a minimum of 65" (1651 mm) to allow for installation clearance.