

Note: Make sure enough faucet installation clearance.
注意：预留足够的龙头安装空间。

当按实际大小绘制切割图时，请确定脸盆水平及垂直方向的大小跟切割图上所标注的尺寸是一致的。
WHEN PLOTTING TEMPLATE FULL SIZE: Make sure horizontal and vertical dimensions match the dimensions labeled on the template.

FINISHED WALL / BACK SPLASH
完工墙面/防溅挡板

Outline of the product (only for reference, please confirm with the real product).
产品上表面外形轮廓 (仅供参考，以实物为准)

K-2772T-1 皓玥 KARESS

面陶瓷半嵌入式脸盆 VITREOUS CHINA SEMI-RECESSED LAVATORY 切割图/安装说明书 CUT-OUT TEMPLATE / INSTALLATION INSTRUCTIONS

安装之前

- 有关安装专业性，故半嵌入式脸盆必须由受过训练及有经验的技师进行安装。
- 切勿在本品上使用环氧树脂胶或水泥等硬化后体积变大的密封材料。
- 观察当地所有给排水及建筑规定。
- 检查污水管及供水管，如有需要请更换。
- 安装之前，先开启新脸盆的包装，并小心检查脸盆是否有损坏，再将脸盆放回包装内，到安装时才取出。
- 若为更换新脸盆，须确保现有的柜台孔口与新脸盆的切割位相同或较后者小。
- 请使用时将此说明书上的切割图，标划正确之切割位。
- 科勒洗脸盆是根据美国标准制造的，与美式洗脸盆配件相配，其它洗脸盆配件可能与之不相配。

所需工具及物料 (不随货供应)

- 模板(已提供)
- 伊理镜
- 铅笔
- 剪刀
- 卷尺
- 涂油灰刀
- 水管用油灰
- 钢锯
- 匙孔线锯或手提电锯
- 钻头(14mm 钻头)
- 活络板钳
- 调整板钳
- 切管刀
- 密封胶

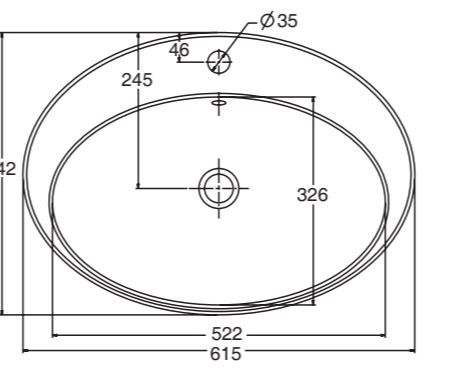
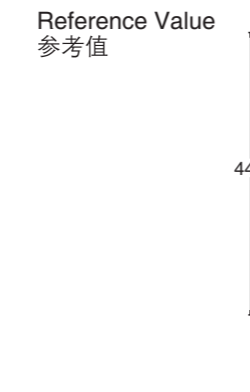
BEFORE YOU BEGIN

- Due to the nature of the installation, semi-recessed lavatories should be installed by trained and experienced installers.
- Do not use epoxy resin adhesive or sealing materials that will expand after concreting, such as cement.
- Observe all local plumbing and building codes.
- Inspect the waste and supply tubing; replace if necessary.
- Prior to installation, unpack the new lavatory and carefully inspect it for damage. Return the lavatory to its protective carton until you are ready to install it.
- For replacement installations, make sure the existing cutout is the same or smaller size as the new lavatory.
- Use the template supplied with the lavatory to mark correct size cutout.
- Kohler lavatory is made according to American National Standard that it can match the American lavatory fittings. Any other lavatory fittings may not fit for kohler lavatory.

TOOLS AND MATERIALS (Not Supplied)

- Template(supplied)
- Safety glasses
- Pencil
- Scissors
- Tape measure
- Putty knife
- Plumbers putty
- Hacksaw
- Keyhole saw or saber saw
- Drill (14mm drill bit)
- Adjustable wrench
- Pipe wrench
- Tubing cutter
- Sealant

尺寸图



科勒公司保留随时变更图中标示尺寸的权利。无需另行通知。Kohler reserves the right to change marked dimensions without prior notice.

安装新脸盆

- 将切割图贴在盥洗台上，确保脸盆、水龙头和防溅挡板之间有足够距离，按照标明的线折叠前盖。
- 检查盥洗台下的储物柜也有足够空间。
- 用铅笔沿切割图在盥洗台面划线，请勿超过折叠线，并划出2个螺栓安装孔的位置。
- 用铅笔沿柜壁切割线在柜子外壁划线。
- 再次检查脸盆、水龙头、防溅挡板及储物柜的空间及距离，如有需要可调整切割图的位置。
- 沿着铅笔线内侧切并柜子外壁，若柜壁与台面不平整，请相应调整柜壁切割线。

INSTALL NEW LAVATORY

- Cut the template along the cutting line.
- Position the template on the countertop to ensure clearance between the lavatory, faucet, and backsplash. Please fold the front end according to the marked folding line.
- Verify cabinet clearance beneath the countertop.
- Trace the template on the countertop with a pencil. Please do not surpass the folding line. Mark the position of 2 bolt mounting holes.
- Trace along the outline of the cabinet with a pencil.
- Re-check the clearance between the lavatory, faucet, backsplash, and cabinet. Adjust the template accordingly.
- Cut the cabinet board along the pencil line. In case the cabinet board and the countertop are not at the same level, please adjust the cutting line accordingly.
- Drill hole on the countertop with a drill.
- Cut the countertop along the pencil line, then trim the corner round as shown in the picture.

用钻头划出的螺栓安装孔在台面上开孔。

- 沿着自切割图划出来的铅笔线内侧切并台面，并在台面外边缘按图中修整圆角。

将两根双头螺杆旋进安装孔内。
Screw the two double screw rods into the holes.

将脸盆放入台面开口，确保螺杆穿过台面安装孔，校正位置。
Temporarily position the lavatory in the opening, make sure the bolts are fixed through the countertop mounting holes, and adjust to proper position.

小心：提防身体受伤或损坏产品，因大脸盆相当重，需找人帮忙一起搬动及安放。
CAUTION: Risk of personal injury or product damage. Large lavatories are very heavy. Get help lifting the lavatory into place.

用铅笔沿脸盆安装面外缘在盥洗台上划线。
Trace a pencil line around the outside edge of the lavatory.
然后将脸盆移开，按切割图指示区域，对台面修整圆角。
Remove the lavatory, cut the area shown in the template into a round rim.
按照制造商的指引，安装水龙头和排水管道。
Install the faucet and drain according to the manufacturers instructions.

沿铅笔线内侧涂抹柔软的防水密封胶。
Apply soft water-proof sealant along the inside of the pencil line.
用涂油灰刀将其抹匀。
Spread the sealant evenly with a putty knife.

注意：
只能使用柔软的防水密封胶。
切勿使用环氧树脂胶或水泥等硬化后体积变大的密封材料。科勒对所有因此而引起的陶瓷破裂概不负责。

小心地将脸盆置于台面开口适当位置，向下按牢。从台面下部按顺序装入以下配件：偏移螺母、金属垫片、蝶型螺母，并用手上紧螺母。
Carefully position the lavatory in the opening of the countertop and press down firmly. Mount the offset nut, washer and butterfly nut in sequence from the bottom of the countertop. Tighten the butterfly nut with hands.

注意：只需手工上紧即可，请勿过紧，以免损坏陶瓷。
Tighten the gasket with hands. Do not over tighten to avoid damaging the ceramic.

小心：提防身体受伤或损坏产品，因大脸盆相当重，需找人帮忙一起搬动及安放。
CAUTION: Risk of personal injury or product damage. Large lavatories are very heavy. Get help lifting the lavatory into place.

立即擦去多余的密封胶，如脸盆外缘与台面间有缝隙，即用胶填密。
Immediately wipe away any excess sealant, and fill any voids as needed.
检查脸盆的位置准确。
Verify that the lavatory has not moved out of position.

最少等待三十分，让密封胶干透后，方可继续安装。
Allow the sealant to cure for at least 30 minutes before proceeding.
连接水龙头供水管。
Connect the faucet supply lines.
打开水龙头阀门，检查是否有渗漏。
Open the faucet valves, and check for leakage.
用非腐蚀性清洁剂来清洁。
Clean up with a non-abrasive cleaner.

用户须知 (护理和清洁)

为保持脸盆光洁如新，须确保每次使用后彻底冲洗干净，切勿使用腐蚀性清洁剂，以免刮花及破坏脸盆的表面。要清除顽固污渍、油漆或柏油，可使用松油或油漆稀释剂。

不要在0°C以下的水环境中使用。
警告：请勿使用钢丝球等硬质材料擦洗产品表面，特别是产品商标处。

维修零件

IMPORTANT CONSUMER INFORMATION (CARE AND CLEANING)

To keep your lavatory looking new, make sure you rinse it out thoroughly after each use. DO NOT USE ABRASIVES on this product, as they will scratch and ruin the surface. Stubborn stains, paint, or tar can be removed with turpentine or paint thinner.

Do not use the product in the water below 0°C.
CAUTION: Please do not use hard materials (like scouring pad) to clean product surface, especially the product logo.

SERVICE PARTS

