

KOHLER®

CUT ALONG THIS LINE
沿此线切割

RIM OF LAVATORY
脸盆边缘

K-2885T-1/8 曼司 MAN'S LAV™

铸铁修边台上脸盆
CAST IRON SELF-RIMMING LAVATORY
切割图/安装说明书
CUT-OUT TEMPLATE / INSTALLATION INSTRUCTIONS

安装之前

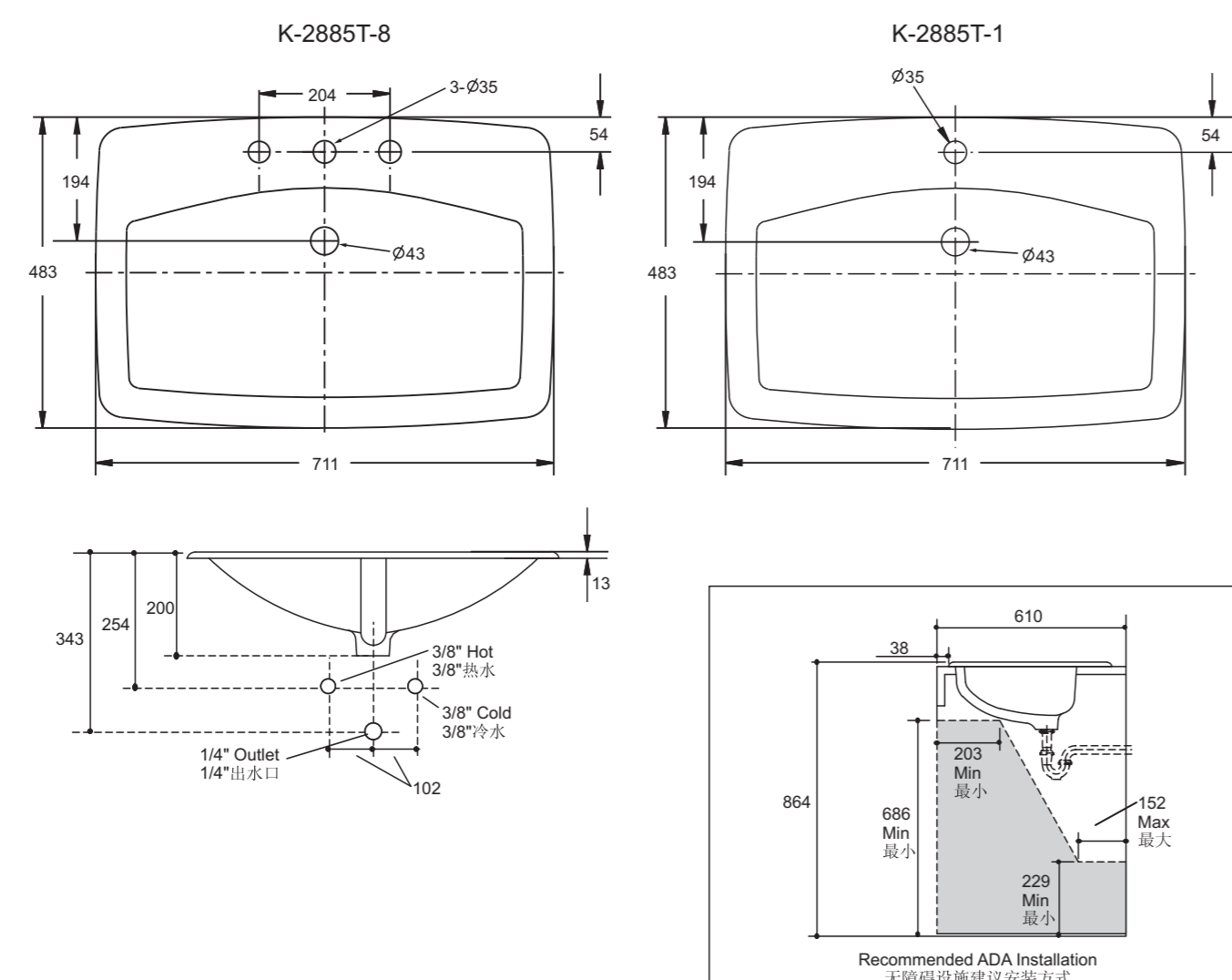
注意

- 遵守当地所有给排水及建筑规定。
- 检查污水管及供水管，如有需要请更换。
- 安装之前，先开启新脸盆的包装，并小心检查新的脸盆是否有损坏，再将脸盆放回包装盒内，到安装时才取出。
- 若为更换新脸盆，须确保现有的柜台孔口与新脸盆的切割位相同或较后者小。
- 请使用同时印在此说明书上的切割图，标划正确之切割位。
- 如果脸盆已随附密封胶，请勿使用其它密封胶。

所需工具及材料

- 安装模板（已提供）
- 密封胶（视型号提供）
- 护眼镜
- 炭笔
- 卷尺
- 涂油灰刀
- 水管用油灰
- 钢锯
- 匙孔线锯或手提电锯
- 钻（直径13mm钻头或更大）
- 活动板钳
- 喉管板钳
- 切管刀

尺寸图



BEFORE YOU BEGIN

NOTE

- Observe all local plumbing and building codes.
- Inspect the waste and supply tubing; replace if necessary.
- Prior to installation, unpack the new lavatory and carefully inspect it for damage. Return the lavatory to its protective carton until you are ready to install it.
- For replacement installations, make sure the existing cutout is the same or smaller size as the new lavatory.
- Use the template supplied with the lavatory to mark correct size cutout.
- Do not substitute another sealant if one is supplied with this lavatory.

TOOLS AND MATERIALS REQUIRED

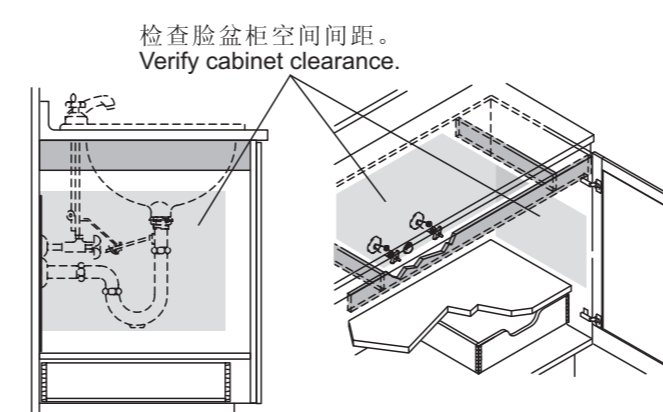
- Template (supplied)
- Sealant (may be supplied with some models)
- Safety glasses
- Pencil
- Tape measure
- Putty knife
- Plumbers putty
- Hacksaw
- Keyhole saw or saber saw
- Drill (13mm or 1/2" dia. drill bit or larger)
- Adjustable wrench
- Pipe wrench
- Tubing cutter

ROUGH-IN

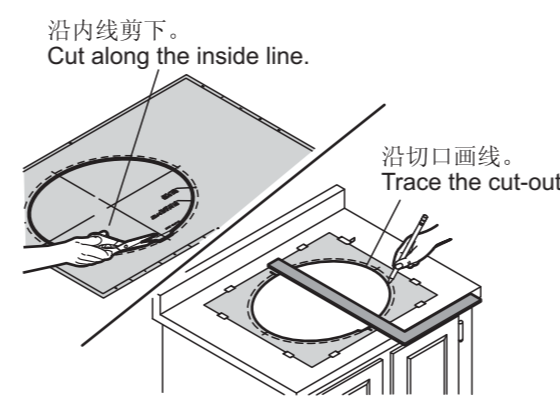
安装脸盆

INSTALL LAVATORY

1

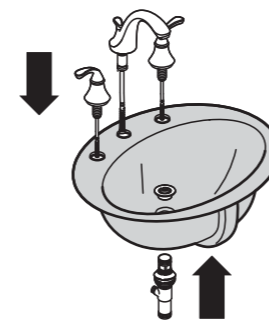


2



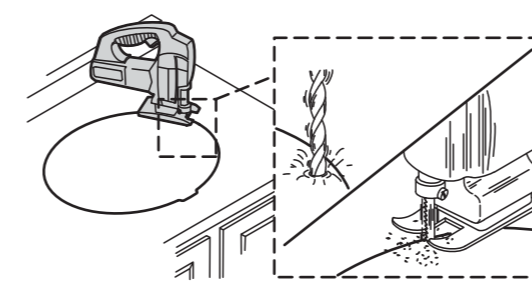
3

安装龙头和落水。
Install faucet and drain.



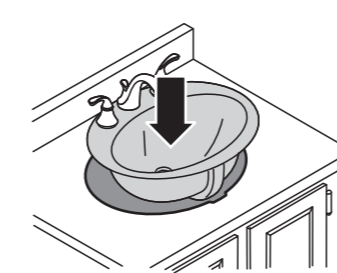
4

钻导孔并切开台面。
Drill pilot hole and cut the countertop opening.

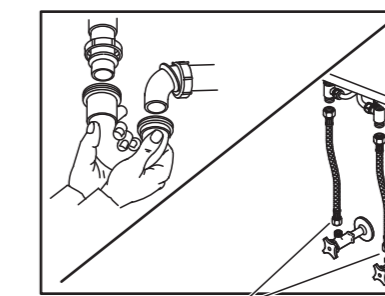


5

检查是否合适，如有必要调整切割。
Verify fit. Adjust cutout if needed.

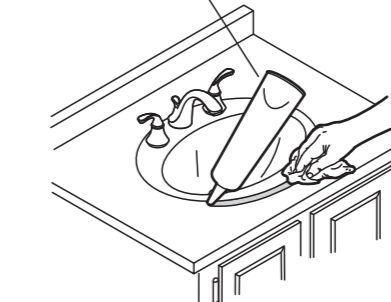


6 进行落水连接。
Make drain connections.



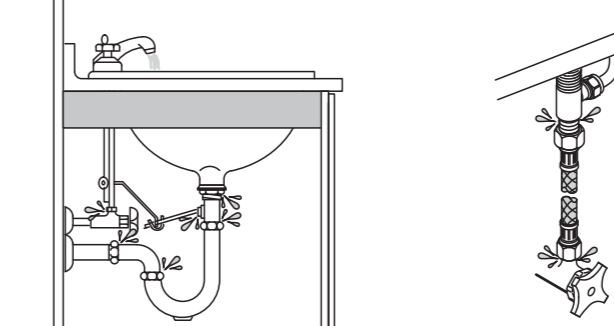
7

涂抹密封胶。
Apply Sealant.



8

在脸盆内放水检查是否漏水。
Run water into the lavatory and check for leaks.



用户须知 (护理和清洁)

为保持脸盆光洁如新，须确保每次使用后彻底冲洗干净。切勿使用磨蚀性的清洁剂，以免刮花及破坏脸盆的表面。要清除顽固污渍、油漆或柏油，可使用松油或油漆稀释剂。

IMPORTANT CONSUMER INFORMATION (CARE AND CLEANING)

To keep your lavatory looking new, make sure you rinse it out thoroughly after each use. **DO NOT ABRASIVES** on this product, as they will scratch and ruin the surface. Stubborn stains, paint, or tar can be removed with turpentine or paint thinner.

当绘制完整尺寸切割图时：
确保水平和垂直方向的尺寸与切割图上标注的尺寸相符。

WHEN PLOTTING TEMPLATE FULL SIZE:
Make sure horizontal and vertical dimensions match the dimensions labeled on the template.

1122843-T01-A

上海科勒有限公司
上海市奉贤区民乐路368号 邮编: 201419

© 版权为科勒中国有限公司所有, 2009
© Copyright Kohler China Ltd., 2009

679mm

451mm