

BEFORE YOU BEGIN

NOTE

- Observe all local plumbing and building codes.
- Inspect the waste and supply tubing; replace if necessary.
- Prior to installation, unpack the new lavatory and carefully inspect it for damage. Return the lavatory to its protective carton until you are ready to install it.
- For replacement installations, make sure the existing cutout is the same or smaller size as the new lavatory.
- Use the template supplied with the lavatory to mark correct size cutout.
- Do not substitute another sealant if one is supplied with this lavatory.

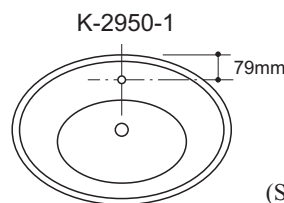
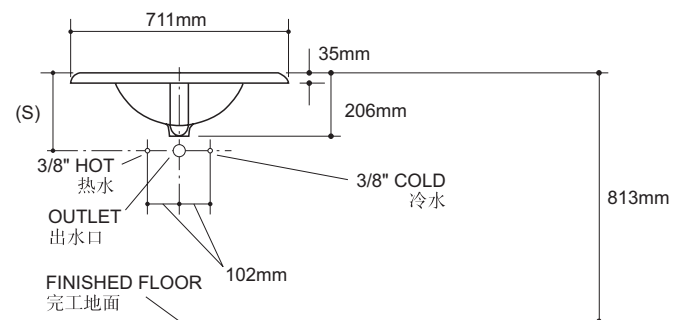
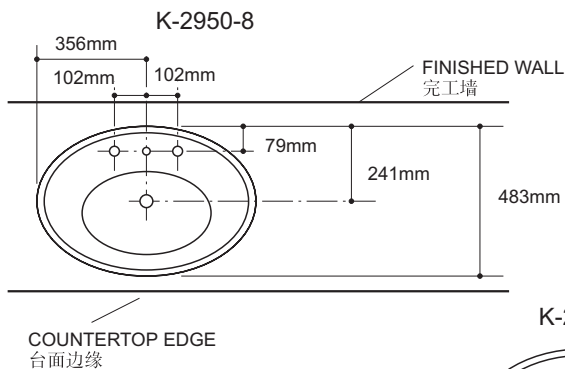
安装之前

注意

- 留意当地所有给排水及建筑规定。
- 检查污水管及供水管，如有需要请更换。
- 安装之前，先开启新脸盆的包装，并小心检验新的脸盆是否有损坏，再将脸盆放回包装盒内，到安装时才取用。
- 若为更换新脸盆，须确保现有的柜台孔口与新脸盆的切割位相同或较后者小。
- 请使用同时印在此说明书上的切割图，标划正确之切割位。
- 如果脸盆已随附封边胶，请勿使用其它封边胶。

ROUGHING-IN DIMENSIONS

尺寸图



(S) 254mm: 此尺寸根据305mm冒口计算，须按实际情况调整。

TOOLS AND MATERIALS REQUIRED

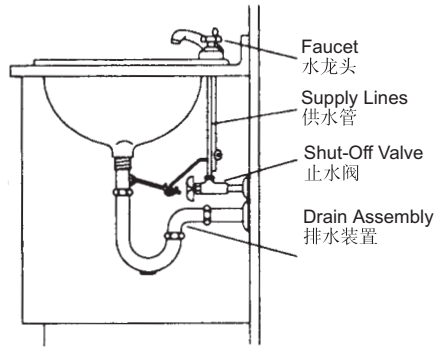
- Template (supplied)
- Sealant (may be supplied with some models)
- Safety glasses
- Pencil
- Scissors
- Tape measure
- Putty knife
- Plumbers putty
- Hacksaw
- Keyhole saw or saber saw
- Drill (13mm or 1/2" dia. drill bit or larger)
- Adjustable wrench
- Pipe wrench

所需工具及材料

- 安装模板 (已提供)
- 封边胶 (视型号提供)
- 护眼镜
- 炭笔
- 卷尺
- 涂油灰刀
- 水管用油灰
- 钢锯
- 匙孔线锯或手提电锯
- 钻 (直径13mm钻头或更大)
- 活动板钳
- 喉管板钳
- 切管刀

RENOVE EXISTING LAVATORY

- Turn off the water supply to the faucet.
- Open the faucet valves, then disconnect the supply lines.
- Disconnect the drain assembly, and remove the trap.
- Remove the existing lavatory.

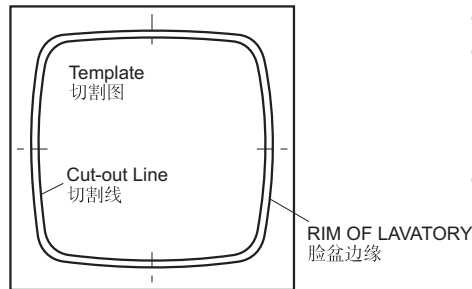


拆除旧脸盆

- 关掉水龙头的供水源。
- 打开水龙头阀门，然后断开供水管。
- 再旋开排水装置，并拿开弯管。
- 移走旧脸盆。

INSTALL NEW LAVATORY

- Cut the template on the cutout line.
- Position the template on the countertop to ensure clearance between the lavatory, faucet, and backsplash.
- Verify cabinet clearance beneath the countertop.



安装新脸盆

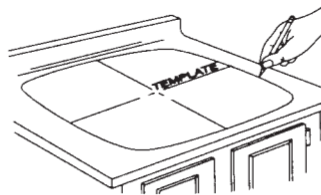
- 将切割图沿切割线切出。
- 将切割图放在盥洗台上，确保脸盆、水龙头和防溅挡板之间有足够的距离。
- 查核盥洗台下的储物柜也有足够的空间。

NOTE: In china installation will not have separate backsplash. The back wall is the "backsplash".

*Template is supplied with product.
*切割图已随产品提供。

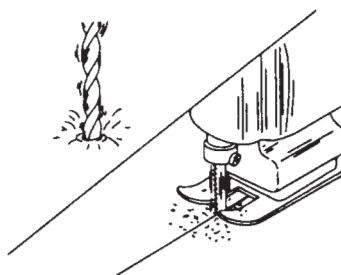
注意: 在中国一般会单独安装防溅水板，安装台盆的后墙即是“防溅水板”。

- Trace the template on the countertop with a pencil.
- Re-check the clearance between the lavatory, faucet, backsplash or wall, and cabinet Adjust the template accordingly.



- 用炭笔没切割图在盥洗台面划线。
- 再次检查脸盆、水龙头、防溅水板或后墙及储物柜的空间及距离，如有需要可调校切割图的位置。

- Drill a 13mm hole on the inside of the cutout opening.
- Cut the opening in the countertop along the inside edge of the pencil line.

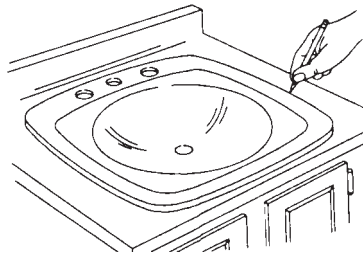


- 用一个13mm的钻头，在切割口内侧钻一个导孔。
- 沿著自切割图色勾划出来的铅笔线内侧切开台面。

- Temporarily position the lavatory in the opening, and adjust to fit.

CAUTION: Risk of personal injury or product damage. Large lavatories are very heavy. Get help lifting the lavatory into place.

- Trace a pencil line around the outside edge of the lavatory.
- Remove the lavatory.
- Install the faucet and drain according to the manufacturer's instructions.



- 暂将脸盆放入台面开口，校正位置。

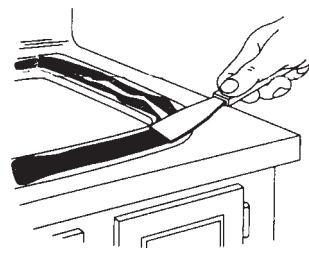
小心：提防身体受伤或损坏产品，因大型脸盆相当重，需找人帮您一起搬动及安放。

- 用炭笔沿脸盆外缘在盥洗台上划线。
- 然后将脸盆移开。
- 按照制造商的指引，安装水龙头和排水管道。沿炭笔导线内侧涂两滴封边胶。

- Apply two beads of sealant to the inside of the pencil line.

NOTE: Do not substitute another sealant if one is supplied with this lavatory.

- Spread the sealant evenly with a putty knife.



- 沿炭笔导线内侧涂两滴封边胶。

注意：如果脸盆已随附封边胶，请勿使用其它封边胶。

- 用涂油灰刀将其抹匀。

- Carefully position the lavatory in the cutout, and press down firmly.

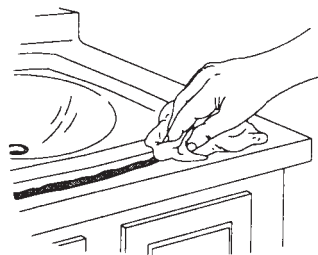
CAUTION: Risk of personal injury or product damage. Large lavatories are very heavy. Get help lifting the lavatory into place.



- 小心地将脸盆置于台面切口适当位置，向下按牢。

小心：提防身体受伤或损坏产品。因大型脸盆相当重，需找人帮您一起搬动及安放。

- Immediately wipe away any excess sealant, and fill any voids as needed.
- Verify that the lavatory has not moved out of position.
- Allow the sealant to cure for at least 30 minutes before proceeding.
- Connect the faucet supply lines.
- Connect the drain assembly.
- Open the faucet valves, and check for leakage.
- Clean up with a non-abrasive cleaner.



- 立即擦去多余的封边胶，如脸盆外缘与台面间有缝隙，即用胶填密。

- 检查脸盆的位置准确。

- 最少待三十分钟，让封边胶干透后，方可继续进行安装。
- 连接水龙头供水管。
- 连接排水装置。
- 开启水龙头阀门，检查有否渗漏。

- 用非磨蚀性清洁剂来清洁。

IMPORTANT CONSUMER INFORMATION 用户须知

CARE AND CLEANING

To keep your lavatory looking new, make sure you rinse it out thoroughly after each use. **DO NOT ABRASIVES** on this product, as they will scratch and ruin the surface. Stubborn stains, paint, or tar can be removed with turpentine or paint thinner.

护理及清洁须知

为保持脸盆光洁如新，须确保每次使用后彻底冲洗乾淨。切勿使用磨蚀性的清洁剂，以免刮花及破坏脸盆的表面。要清除顽固污垢，油漆或柏油，可使用松油或油漆稀释剂。

LIMITED ONE-YEAR WARRANTY

Kohler plumbing fixtures and fittings are warranted free of manufacturing defects.

Kohler will at its election, repair, replace, or make appropriate adjustment where Kohler inspection discloses any such defects occurring in normal usage within one year after installation. Kohler is not responsible for installation costs.

To obtain warranty service, contact Kohler either through your Dealer or Plumbing Contractor or by writing:

Central Customer Service Centre, Kohler China Ltd.

19/F Shanghai Square, 138 Huai Hai Road,

LuWan District, Shanghai, China

200021, PRC

[Http://www.kohler.com.cn](http://www.kohler.com.cn)

一年保养期

科勒陶瓷件设有一年保养期，保障产品无工艺质量瑕疵。

在产品安装后的一年之内，经本公司查验，如有任何在正常使用所产生的质量缺陷，本公司将酌情予以修理、更换或进行适当的调校，安装费用则本公司概不负责。

有关保养服务的详情，请通过您的经销商或承建商与本公司联系，或致信予：

中国上海市卢湾区淮海中路138号上海广场19楼

科勒（中国）投资有限公司客户服务中心

邮编：200021

[Http://www.kohler.com.cn](http://www.kohler.com.cn)