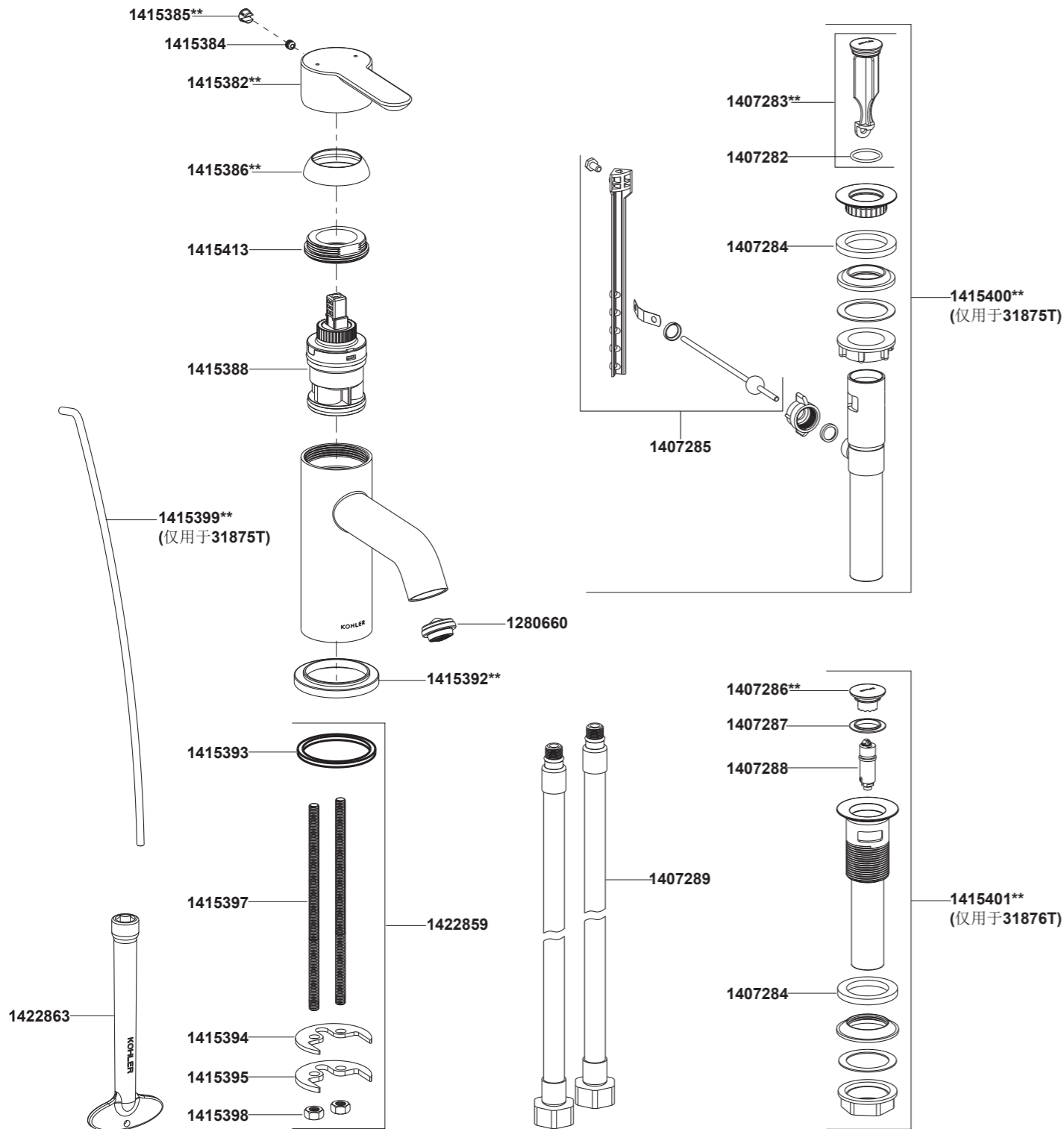


31875T-4 单把脸盆龙头 流线型把手(提拉落水) 6P

31876T-4 单把脸盆龙头 流线型把手(弹跳落水) 6P



\*\*订购时请说明颜色编号

\*\*Color code must be specified when ordering

31875T-4 单把脸盆龙头 流线型把手(提拉落水) 6P

31876T-4 单把脸盆龙头 流线型把手(弹跳落水) 6P

#### 安装之前

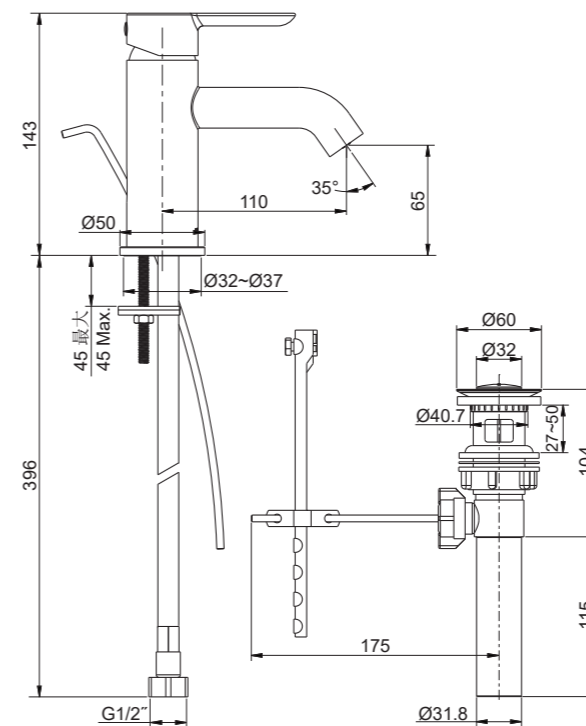
所有的资料是按最新出版的产品资料编写而成。科勒公司保留任何时候不经通知即可改变产品特性、包装或产品可供类型的权利。

说明书包括重要的安装、保养及清洁方面的内容，请把这些资料交给用户阅读。

#### 注意事项：

- 1.一定要先彻底冲洗供水管以清除管道中的杂质。
- 2.尽可能在安装脸盆之前安装水龙头。
- 3.检查供水管有无损坏和漏水。如需要，进行替换和维修。
- 4.遵守当地管路安装条例。
- 5.切断供水管路。
- 6.水嘴加施的水效标识表明本产品的水效等级等性能符合GB25501-2019《水嘴水效限定值及水效等级》的要求，是产品符合性的一种标识。

#### 安装尺寸



31875T-4

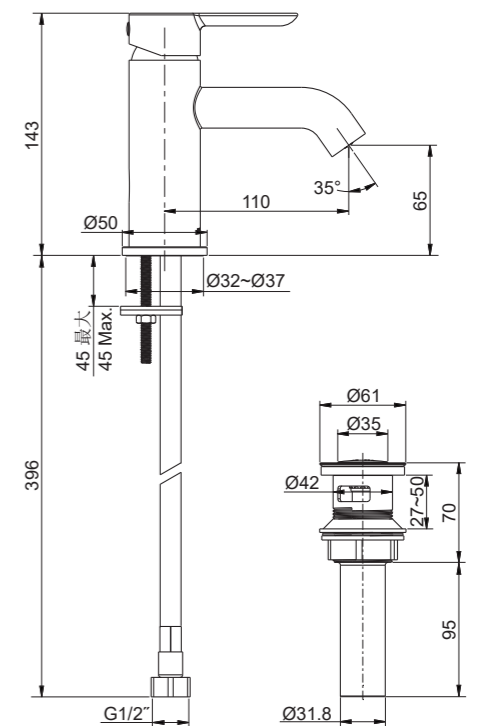
#### BEFORE YOU BEGIN

All information is based on the latest product information available at the time of publication. Kohler Co. reserves the right to make changes in product characteristics, packaging, or availability at any time without notice. Please leave these instructions for the consumer. They contain important information.

#### NOTES:

1. Flush the water supply pipes thoroughly to remove debris.
2. If possible, install this faucet before installing the lavatory.
3. Inspect the supply tubing for damage and leakage. Replace and maintain as necessary.
4. Observe local plumbing codes.
5. Shut off the water supplies to the fitting.
6. The water efficiency label applied to the faucet indicates that the water efficiency grade and other performance of the product meet the requirements of GB 25501-2019 "Minimum Allowable Values of Water Efficiency and Water Efficiency Grades for Faucets" which is a marking of product conformity.

#### ROUGH-IN DIMENSIONS



31876T-4

## 安装步骤

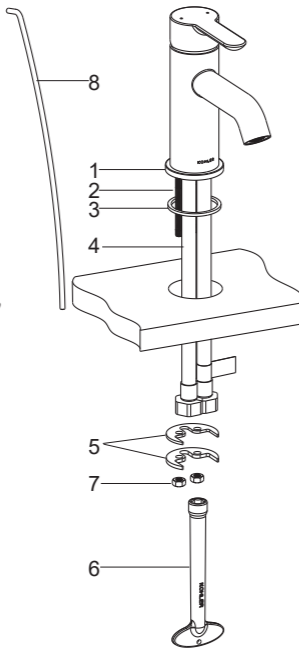
### 如何安装出水口

若因维修或其他原因拆下软管(4)，装回时手动拧紧即可。将底座(1)装入龙头底部，将固定螺杆(2)安装到水龙头底部处，把垫圈(3)套进供水软管(4)和固定螺杆，并嵌入底座槽中。

将水龙头组件插入脸盆安装孔中，使底座接触台面。调整水龙头，从脸盆的下方把垫片(5)、橡胶垫片放在上面)穿入固定螺杆，并用工具(6)锁紧螺母(7)以固定水龙头。

将提拉杆(8)插入到水龙头后侧孔中(仅用于31875T)。

把软管接到水源，当您面对水龙头时左边为热水，右边为冷水，冷水管贴有标签。



## INSTALLATION

### How to Install the Faucet

If needed to take off the hoses(4) to repair, reinstall and tighten them by hand. Install the base(1) into the faucet bottom. Install the mounting studs(2) into the faucet bottom. Slide the washer(3) over the flexible hoses (4) and mounting studs, and into base's groove.

Insert the faucet assembly into the lavatory hole, and make sure the base is against the deck. Position the faucet. From underside of the lavatory, place the washers(5, Rubber washer is on the top) onto the mounting studs, and tighten the nuts(7) with tool(6) to secure the faucet.

Insert the lift rod(8) to the hole at the rear of the faucet (Only for 31875T).

Attach the hoses to water supplies. When facing front of the faucet, the left hose should be connected to hot water, the right hose with label should be connected to cold water.

### 如何安装提拉排水器(用于31875T)

将止水塞(9)、法兰盘(11)及垫片(12)从排水本体(15)上取下。把排水本体组件从脸盆下方插到脸盆中，排水杆洞口(14)朝后方。把法兰盘带垫片旋入到排水本体中，从下方用手拧紧锁紧螺母(13)。

**注意：**如果需要，可直接在法兰盘(11)底面沿周围涂一圈密封油灰或其它密封剂，而不使用垫片(12)。

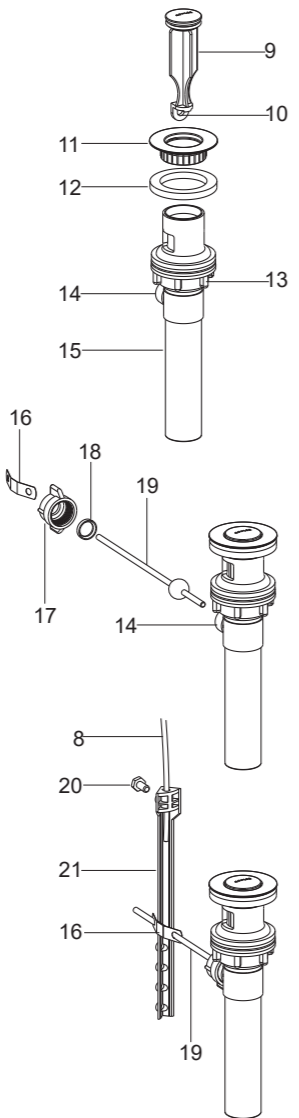
把止水塞(9)放入排水本体中，调整止水塞末端的洞口(10)使其靠近并对正排水杆洞口。

将固定螺母(17)取下，把塑料垫圈(18)及固定螺母装在球杆(19)上，把球杆组件插入排水杆洞口(14)中并穿过止水塞，拧紧固定螺母。

确保球杆(19)指向脸盆后方，用扳手拧紧排水本体上的锁紧螺母(13)。

**注意：**在锁紧螺母拧紧后，如法兰盘使用密封油灰或其它密封剂，则不可以调整排水本体位置，否则会破坏油灰密封的密封性。同时去除多余油灰。

把手捻螺丝(20)装到联杆(21)上。用V形夹(16)将联杆连接到球杆(19)上，将提拉杆(8)插入联杆孔中，将球杆下推至排水组件全开位置，调整提拉杆位置。拧紧手捻螺丝(20)。



### How to Install the Drain(For 31875T)

Remove the stopper(9), flange(11) and washer(12) from drain body(15). Insert the drain body kit into the lavatory from underside, and make sure the drain lever hole(14) facing to the lavatory backside. Screw the flange with washer into the drain body. Tighten locknut (13) by hand from underside of the lavatory.

**NOTE:** If needed, apply a ring of plumbers putty or other sealants around the underside of the flange(11), instead of using washer(12).

Place the stopper(9) into the drain body. Make sure that the flat side of stopper hole(10) align with the drain lever hole.

Remove the retaining nut(17). Fit the plastic washer(18) and retaining nut onto the ball lever(19). Insert the ball lever assembly into the drain lever hole(14) and through the stopper hole. Tighten the retaining nut.

Be sure that the ball lever(19) points to the lavatory backside, tighten the locknut(13) onto the drain body with wrench.

**NOTE:** Do not reposition the drain if plumbers putty or other sealants applied after the locknut is tightened, or you may break the putty seal. Wipe away excess plumbers putty.

Assemble the thumb screw(20) to the link(21), and link onto the ball lever (19) with V-clip(16). Slide the lift rod(8) into the hole of the link. Push the ball lever down into the open position, and adjust the lift rod. Tighten the thumb screw(20).

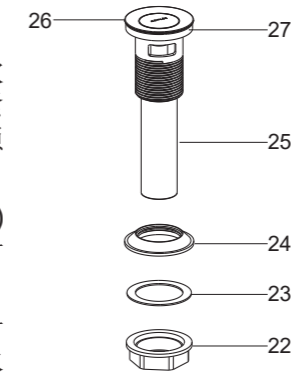
### 如何安装弹跳排水器(用于31876T)

把锁紧螺母(22)、塑料垫片(23)、橡胶垫圈(24)从排水本体(25)上依次取下。

把排水本体从脸盆上部孔插入。再依次将橡胶垫圈(小面朝上)、塑料垫片和锁紧螺母从脸盆下方装回到排水本体上。锁紧螺母。

**注意：**如果需要，可直接在法兰盘(26)底面沿周围涂一圈密封油灰或其它密封剂，而不使用垫片(27)。

在锁紧螺母拧紧后，如法兰盘使用密封油灰或其它密封剂，则不可以调整排水本体位置，否则会破坏油灰密封的密封性。同时去除多余油灰。

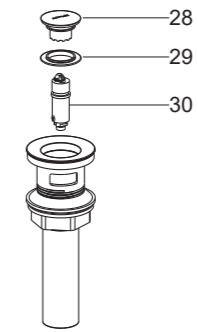


### 如何更换止水垫及活塞组件(用于31876T)

逆时针旋下止水塞(28)，取出止水垫(29)。更换新的止水垫。

逆时针旋下活塞组件(30)，更换新的活塞组件。

重新装回活塞组件、止水垫和止水塞。



### How to Install the Drain(For 31876T)

Remove the locknut(22), plastic washer(23) and rubber gasket(24) from the drain body(25).

Insert the drain body into the lavatory. Install the rubber gasket(Tapered side up), plastic washer and locknut back to the drain body in turn. Tighten the locknut.

**NOTE:** If needed, apply a ring of plumbers putty or other sealants around the underside of the flange(26), instead of using washer(27).

Do not reposition the drain if plumbers putty or other sealants applied after the locknut is tightened, or you may break the putty seal. Wipe away excess plumbers putty.

### How to Replace the Washer and Piston Kit(For 31876T)

Turn counter-clockwise to remove the stopper (28). Take out the washer(29). Replace with a new one.

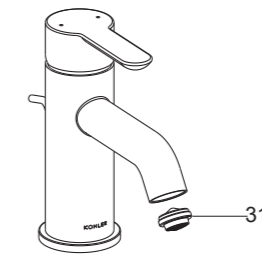
Turn counter-clockwise to remove the piston kit(30). Replace with a new one.

Reinstall the piston kit, washer and stopper.

## 安装结果检查

检查并确保所有衔接螺母都已拧紧，确保把手在关闭位置。打开排水器和主要供水源，检查是否有漏水。如有漏水，修理之。

用硬币拆下起泡器(31)。打开水龙头冷水，让水流出约一分钟以清除杂质，检查渗漏。冲洗起泡器，关闭水龙头，重新装回起泡器。



## INSTALLATION CHECKOUT

Ensure all connections are tight. Ensure the handle is in the off position. Turn on the drain and main water supply, and check for leaks. Repair as needed.

Remove the aerator(31) with coin. Turn on the faucet. Run hot and cold water through the spout for about one minute to remove any debris. Check for leaks. Remove any debris from the aerator. Shut off the faucet. Reinstall the aerator.

## 使用说明

轻轻提起把手，顺时针旋转把手为热水，逆时针旋转把手为冷水。

## HANDLE OPERATION

Lift the handle gently. Turn clockwise for hot water, turn counter-clockwise for cold water.

## 清洗说明

适用于所有加工处理过的表面：以中性肥皂水清洗镀层表面，再以干净的软布彻底擦干整个表面，许多清洁剂，比如氨水、去污粉及洁厕灵等，会对电镀表面造成伤害，切忌使用。

有磨损性的清洁用具或清洁剂也不可适用于科勒牌的水龙头及其配件上。

## CLEANING INSTRUCTIONS

All Finishes: Clean the finish with mild soap and warm water. Wipe entire surface completely dry with clean soft cloth. Many cleaners may contain chemicals, such as ammonia, chlorine, toilet cleaner etc. which could adversely affect the finish and are not recommended for cleaning.

Do not use abrasive cleaners or solvents on Kohler faucets and fittings.