



# Ludington®

24" undermount single-bowl kitchen sink  
**32025**

### Features

- 27" (686 mm) minimum base cabinet width
- Single bowl
- 5-1/2" (140 mm) depth
- No faucet holes; requires wall- or counter-mount faucet
- Rear drain increases workspace in the sink and allows for more storage space underneath the sink
- Includes installation hardware
- Sink drain with strainer sold separately

### Material

- Premium 18-gauge stainless steel

### Installation

- Undermount

### Recommended Products/Accessories

- 7400 Stainless Steel Sink Drain and Strainer
- K-23726 Drain treatment
- K-23729 Stainless steel cleaner

### Optional Products/Accessories

- K-6645 Sink Rack



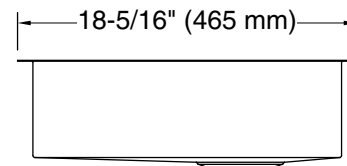
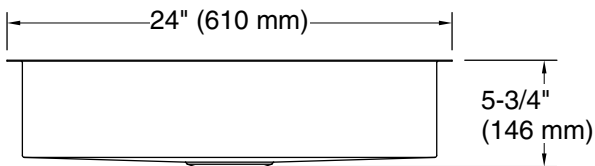
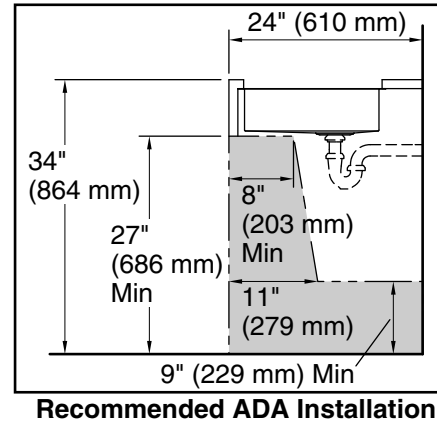
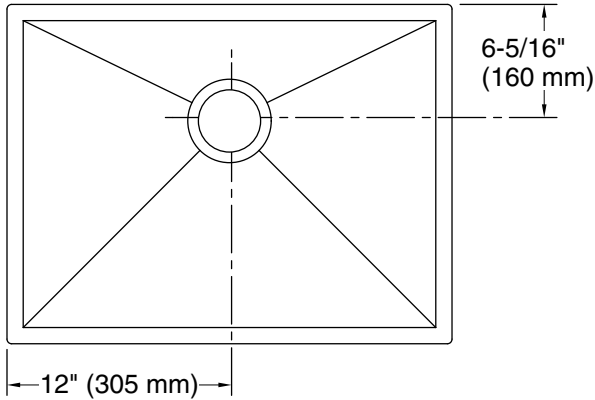
**ADA**

### Codes/Standards

- ASME A112.19.3/CSA B45.4
- ADA
- ICC/ANSI A117.1
- IAPMO Certification

### STERLING® Stainless Steel Sinks Lifetime Limited Warranty

See website for detailed warranty information.



**Technical Information**

All product dimensions are nominal.

Basin configuration: Single Bowl  
Min. base cabinet width: 27" (686 mm)

Bowl area (Only): Length: 22-1/4" (565 mm)  
Width: 16-9/16" (420 mm)  
Bowl depth: 5-7/16" (138 mm)  
Water depth: 5-7/16" (138 mm)

Drain hole: 3-3/4" (94 mm)

Template: Undermount, 1298948-7, required, included

**Notes**

Install this product according to the installation instructions.

ADA compliant when installed to the specific requirements of these regulations.