



Ludington®

32" undermount single-bowl kitchen sink

32026

Features

- 36" minimum base cabinet width
- Single bowl
- 5-1/2" (140 mm) depth
- No faucet holes; requires wall- or counter-mount faucet
- Rear drain increases workspace in the sink and allows for more storage space underneath the sink
- Includes installation hardware
- Sink drain with strainer sold separately

Material

- Premium 18-gauge stainless steel

Installation

- Undermount

Recommended Products/Accessories

- 7400 Stainless Steel Sink Drain and Strainer
- K-23726 Drain treatment
- K-23729 Stainless steel cleaner

Optional Products/Accessories

- K-6644 Sink rack for Vault™ and Strive® kitchen sinks



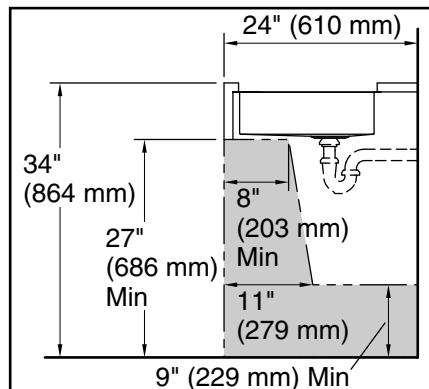
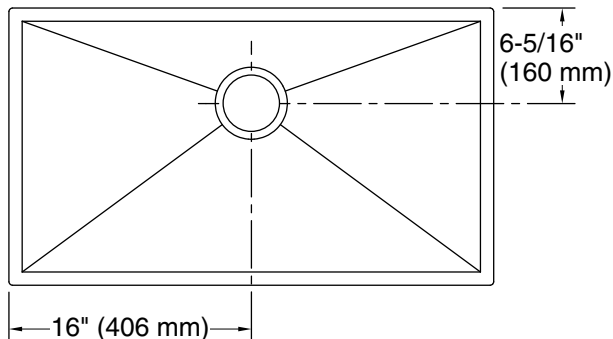
ADA

Codes/Standards

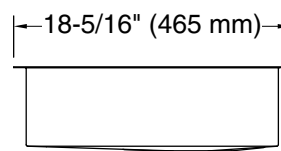
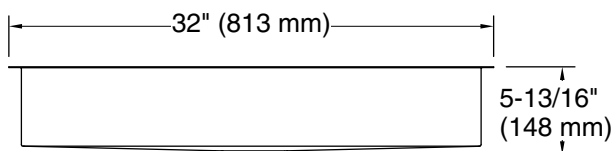
- ASME A112.19.3/CSA B45.4
- ADA
- ICC/ANSI A117.1
- IAPMO Certification

STERLING® Stainless Steel Sinks Lifetime Limited Warranty

See website for detailed warranty information.



Recommended ADA Installation



Technical Information

All product dimensions are nominal.

Basin configuration: Single Bowl

Min. base cabinet width: 36" (914 mm)

Bowl area (Only): Length: 30-1/4" (768 mm)
Width: 16-9/16" (420 mm)
Bowl depth: 5-1/2" (140 mm)
Water depth: 5-1/2" (140 mm)

Drain hole: 3-3/4" (94 mm)

Template: Undermount, 1298947-7, required, included

Notes

Install this product according to the installation instructions.

ADA compliant when installed to the specific requirements of these regulations.