

KOHLER®

INSTALLATION INSTRUCTIONS

安装说明书

艾瑞
ATOM

Thermostatic Shower Column

32403T-7 恒温双花洒淋浴柱-硬管连接
32404T-7 恒温三出水淋浴柱-硬管连接

安装之前

所有的资料是按最新出版的产品资料编写而成。科勒公司保留任何时候不经通知即可改变产品特性、包装或产品可供类型的权利。

说明书包括重要的安装、保养及清洁方面的内容，请把这些资料交给用户阅读。

注意事项：

1. 最小供水压力：0.05MPa(0.5bar)。
2. 推荐冷热供水的静态压力：0.3MPa(3bar)。
3. 如果供水压力大于0.5MPa(5bar)，安装减压阀。
4. 热供水温度最低：50°C；最高：80°C。
5. 推荐的热供水温度：65°C。
6. 温度的设定基本范围为：20°C到49°C。
7. 安全限位温度：37°C。
8. 最高混合温度：49°C。
9. 花洒最高工作温度及环境温度：60°C。请特别注意花洒同花洒连接的臂管须远离浴霸，否则可能损坏花洒及其密封件，甚至对使用者造成伤害。

BEFORE YOU BEGIN

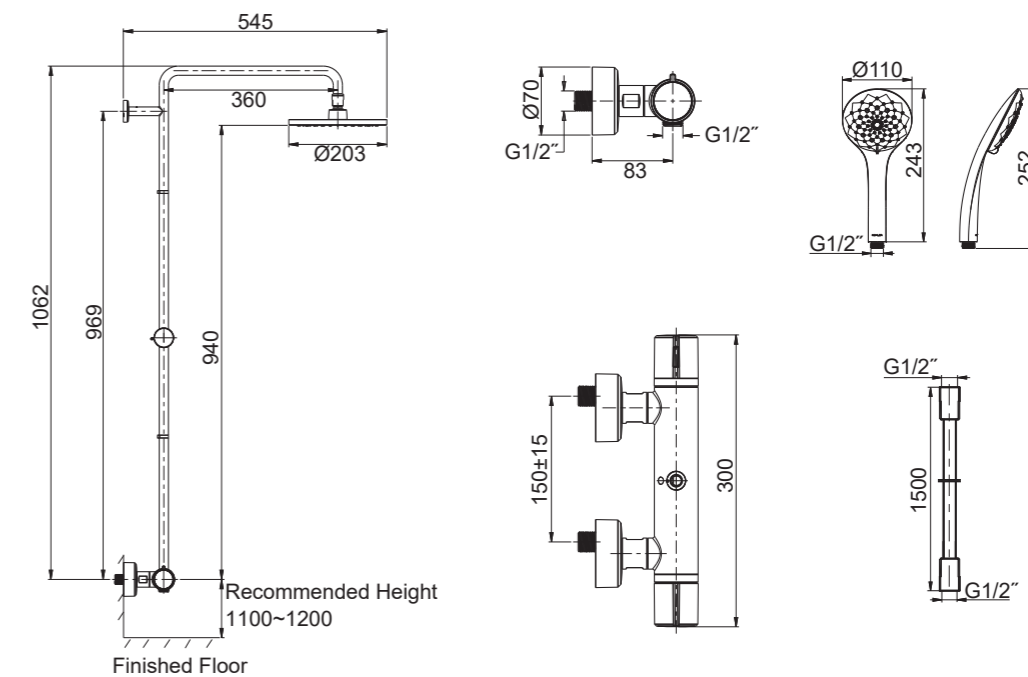
All information is based on the latest product information available at the time of publication. Kohler Co. reserves the right to make changes in product characteristics, packaging, or availability at any time without notice. Please leave these instructions for the consumer. They contain important information.

NOTES:

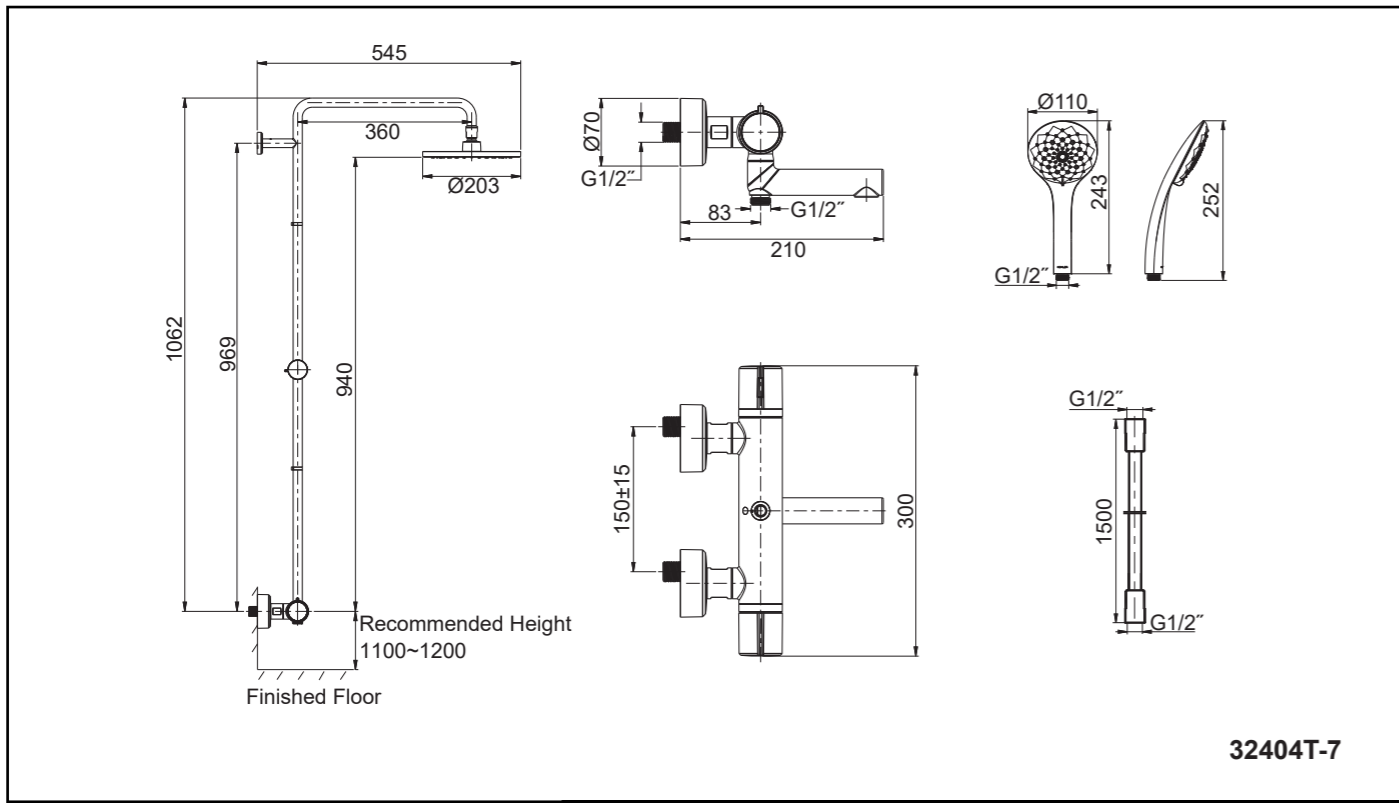
1. Minimum supply pressures: 0.05MPa(0.5bar).
2. Recommended supply static pressures: 0.3MPa(3bar) on hot and cold water.
3. Supply pressure greater than 0.5MPa(5bar): install a pressure reducer.
4. Hot water temperatures, minimum: 50°C, maximum:80°C.
5. Recommended hot water temperature: 65°C(energy-saving).
6. Setting range, approximately: 20°C to 49°C.
7. Safety stop at: 37°C.
8. Maximum mixed water temperature: 49°C.
9. The highest environment temperature for handshower & showerhead is 60°C. Please keep handshower, showerhead and shower arm away from heater, or it may become damaged and cause injury to the user.

安装尺寸

ROUGH-IN DIMENSIONS



32403T-7

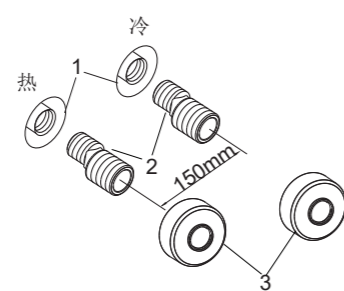


32404T-7

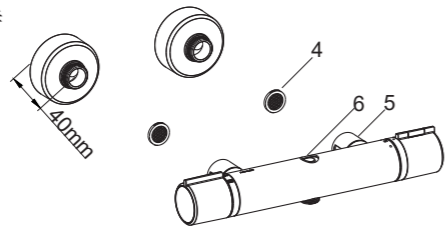
安装步骤

如何安装水龙头

为了使安装顺利，G1/2"内螺纹管道配件(1)应已安装好，预留150mm的间距，保持水平，管道配件垂直且不凸出装修好的墙面。热供水管装在左边。彻底冲洗供水管，以清除管路中的杂质。



在两个接头(2)上缠绕足够的密封胶带或涂合适的密封膏，安装两个接头到冷热供水管上。调节两个接头，使其中心距离为150mm并保持同一水平。它们凸出墙面40mm。



把装饰罩(3)旋入接头，紧贴墙壁。

把密封垫片(4)放入水龙头的螺母(5)内。保持水龙头出水口(6)朝上，把螺母旋到接头上，并用带状扳手拧紧。

INSTALLATION

How to Install the Faucet

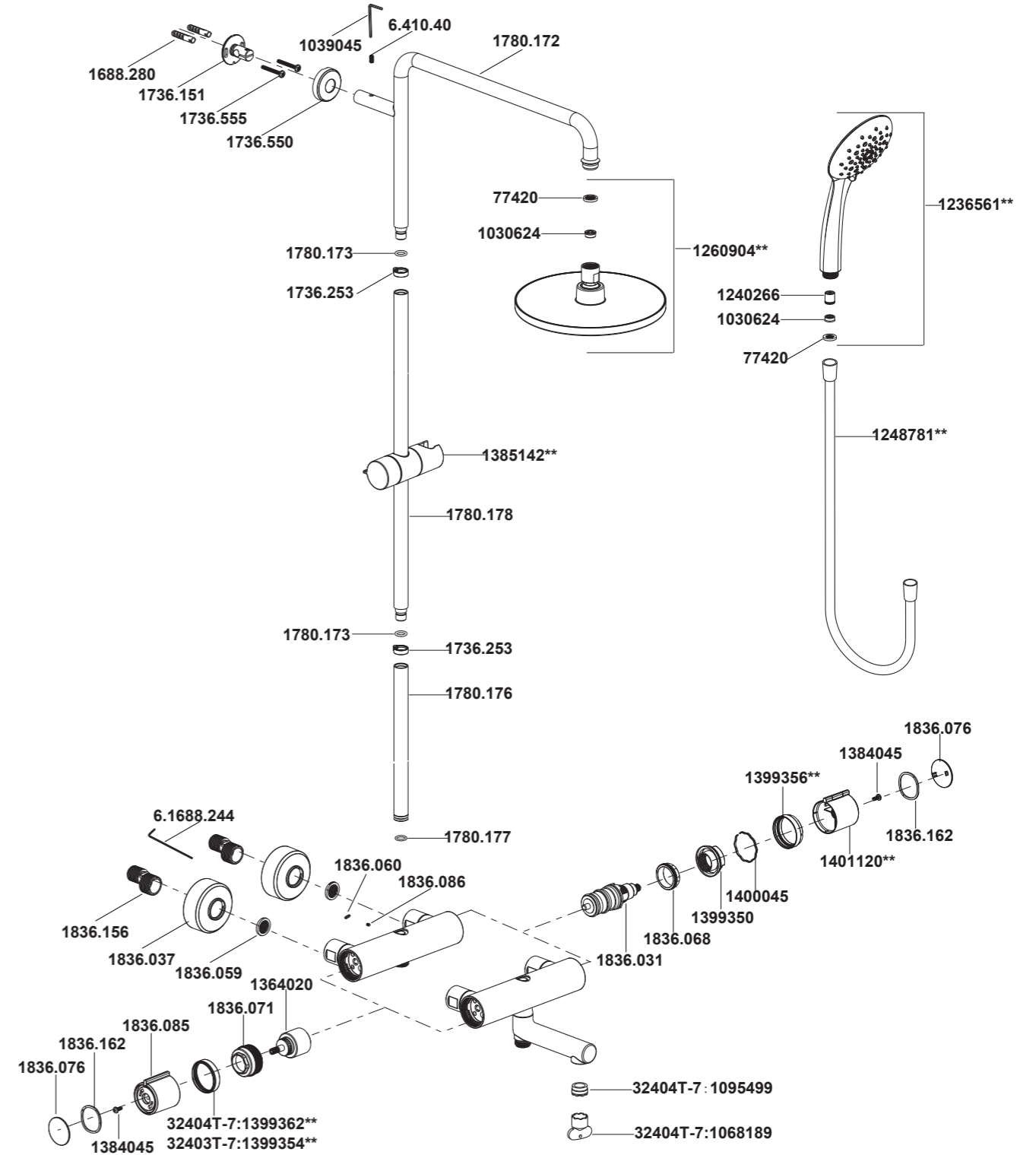
To perform installation, installer must provide G1/2" female supply fittings(1), spaced 150mm apart and horizontal, they should be vertical and not beyond the finished wall. Hot supply pipe must be located on the left. Flush the water supply pipes thoroughly to remove debris.

Apply enough tape or suitable sealant on threads of offset connectors(2). Install the two offset connectors into the hot and cold supply pipes. Adjust the center-to-center distance between the connectors to 150mm horizontally. They should extend 40mm beyond the finished wall.

Thread the escutcheons(3) onto the connectors until they are against the finished wall.

Put washers(4) into supply nuts(5) of the faucet. Keep the faucet outlet(6) upwards, thread the faucet supply nuts onto the connectors, and tighten them with strap wrench.

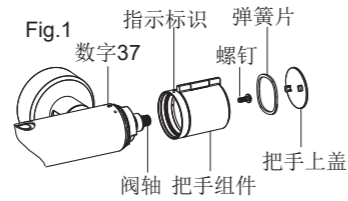
32403T-7 恒温双花洒淋浴柱-硬管连接
32404T-7 恒温三出水淋浴柱-硬管连接



**订购时请说明颜色编号

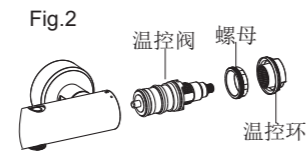
**Color code must be specified when ordering

拆卸前确保指示标识与数字37对齐。拆卸把手组件(Fig.1), 然后将温控环和螺母卸下(Fig.2)。小心地卸下温控阀(Fig.2)。



Make sure the reference mark is aligned with number 37 before your action. Remove the handle kit(Fig.1), unscrew the stopper and nut(Fig.2). Remove the cartridge cautiously(Fig.2).

用热醋进行清洗。清洗后, 将温控阀装入龙头本体中, 使限位槽与数字37对齐(Fig.3)。然后锁紧螺母, 套入温控环, 确保温控环上的限位凸起朝前且上端面与数字37对齐(Fig.4)。



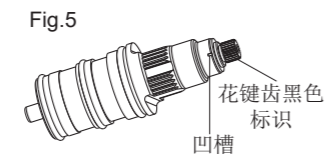
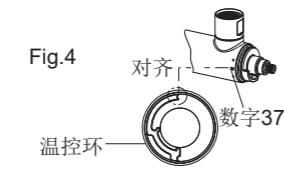
Clean the thermostatic cartridge by soaking it in warm vinegar. After that, install the cartridge back to the faucet body, aligning the notch with number 37(Fig.3). Tighten the nut and install stopper, keep the bulge side of stopper facing front and align it with number 37 as shown(Fig.4).

注意: 确保拆卸安装过程中, 不要转动温控阀轴。如不小心转动了阀轴, 要调整阀轴使外齿上的黑色标识与相邻的塑套上的凹槽对齐(Fig.5), 或者按前述方法调整。



NOTE: Do not turn the cartridge when reinstall it. If it is turned accidentally, please adjust it and be sure that the black mark is correctly in line with the groove (Fig.5), or readjust as per the steps of verification and setting.

安装温控把手(不要转动温控阀轴), 使指示标识同数字37对齐, 拧紧螺钉。安装弹簧片和把手上盖。(Fig.1)



Install the temperature selector (without turning the spindle), aligning number 37 with the reference mark(Fig.1). Tighten the screw, install the spring and handle plug.

使用说明

HANDLE OPERATION

左把手即切换把手, 顺时针转动, 头顶花洒出水; 逆时针转动, 手持花洒或龙头出水口出水。龙头出水口位于中间位置, 龙头出水口出水; 顺时针或逆时针旋转出水管, 手持花洒出水。

Turn the diverter handle (left handle) clockwise, water will flow from the showerhead; turn it counter-clockwise, the handshower or spout will work. Water flows out from spout when faucet spout is in the middle position and it's diverted to handshower when the faucet spout is turned counter-clockwise or clockwise.

慢慢旋转右把手即温控把手, 调整温度, 安全限位温度为37°C。如想得到更高的温度, 按住按钮继续旋转。

The temperature is set by slowly turning the temperature selector(right handle). For safety reasons, there is a stop that limits temperature to 37°C. To get a higher temperature, push the button and continue turning the temperature selector.

清洗说明

CLEANING INSTRUCTIONS

适用于所有加工处理过的表面: 以中性肥皂水清洗镀层表面, 再以干净的软布彻底擦干整个表面, 许多清洁剂, 比如氨水、去污粉及洁厕灵等, 会对电镀表面造成伤害, 切忌使用。

All Finishes: Clean the finish with mild soap and warm water. Wipe entire surface completely dry with clean soft cloth. Many cleaners may contain chemicals, such as ammonia, chlorine, toilet cleaner etc. which could adversely affect the finish and are not recommended for cleaning. Do not use abrasive cleaners or solvents on Kohler faucets and fittings.

有磨损性的清洁用具或清洁剂也不可适用于科勒牌的水龙头及其配件上。

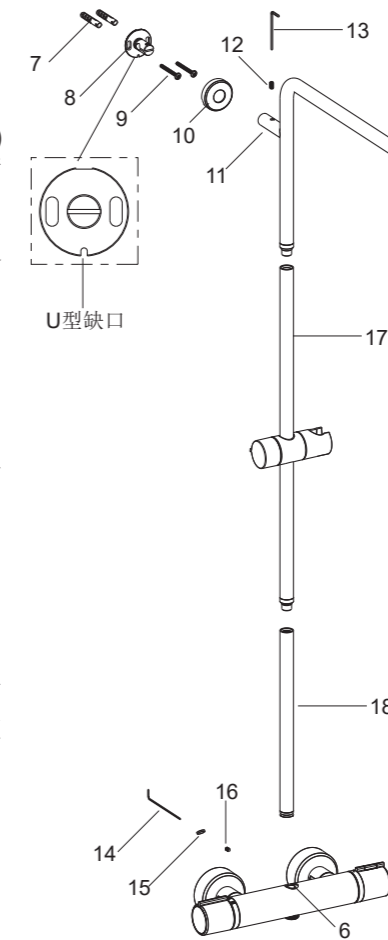
如何安装花洒淋浴柱

How to Install the Shower Column

组装淋浴柱组件, 将上弯管(11)与滑杆组件(17)连接, 然后与下直管(18)连接。

To install the shower column kit, connect the tube kit(11) and the slide bar assembly(17), then connect it with tube(18).

试装淋浴柱组件, 以确定上墙座(8)安装位置。将上墙座(8)插入上弯管(11)的接头中, 并用螺钉(12)锁紧。将淋浴柱组件垂直插入龙头出水口(6)中, 调整淋浴柱组件使上墙座紧贴墙面, 且U型缺口朝下。



Rehearse shower column kit installation to determine installation location for the upper base(8). Insert the upper base(8) into the tube kit(11) connector, tighten it with screw(12). Insert the shower column kit into faucet outlet(6), adjust the shower column kit to put the upper base against the wall, and the U-notch on the base is downward.

用铅笔标记墙座孔位, 拆下淋浴组件 (**注意:** 切勿弄丢螺钉)。

Mark the hole of the base with a pencil, uninstall the shower column kit. (**Note:** Do not lose the screw.)

根据胀塞(7)的直径在墙面标记处打孔。放入胀塞, 用自攻螺钉(9)固定墙座(8)(**注意:** U型缺口朝下)。

Drill holes in the finished wall according to the diameter of the anchors(7). Insert the anchors into the holes. Secure the upper base(8) with self-tapping screws (9). (**Note:** The U-notch in the base is downward).

将淋浴柱组件垂直插入龙头出水口(6)中, 用六角扳手(14)锁紧螺钉(16), 然后用橡胶塞(15)堵住螺钉孔。

Put the shower column kit into the faucet outlet(6). Tighten screw(16) with hex wrench(14), and insert the plug(15) into the hole.

将装饰罩(10)套在淋浴柱组件的上弯管(11)上, 然后套入墙座(8), 调整淋浴柱组件, 保持弯管出水口朝前, 且淋浴柱组件平行于墙面。

Slide the escutcheon(10) onto the tube kit(11) and install it on the upper base(8). Adjust the shower column kit to keep the outlet on the tube kit facing front and the shower column kit is parallel to the finished wall.

用六角扳手(13)锁紧螺钉(12)。将装饰罩(10)向后推, 卡入墙座(8)。

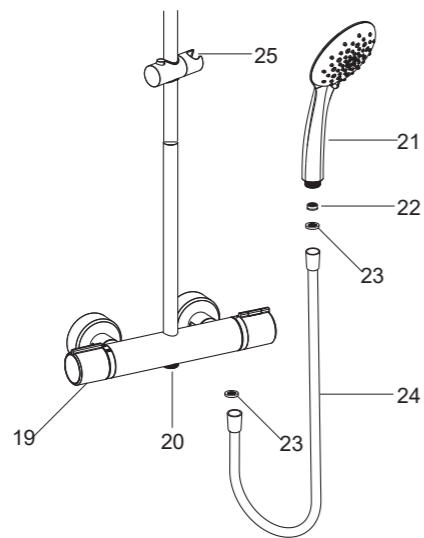
Tighten screw(12) with hex wrench(13). Push the escutcheon(10) until it fits on the base(8).

如何安装手持花洒

安装手持花洒(21)之前, 调整切换把手(19)处于手持花洒出水位置, 对于32404T-7, 需转动龙头出水口与龙头本体平行, 打开冷热水源冲掉管路中的杂质, 关闭水源。

根据需要, 将限流器(22)塞入手持花洒进水口, 将滤网垫片(23)放入软管(24)两端接头内, 并用软管连接接头(20)和手持花洒。锁紧所有衔接螺母。

将手持花洒挂在花洒挂架(25)上。



How to Install the Handshower

Turn the diverter handle(19) to the position for handshower(21) before installation. For 32404T-7, adjust the faucet spout to make it parallel to the faucet body, flush hot and cold water to remove any debris. Shut off the water supplies.

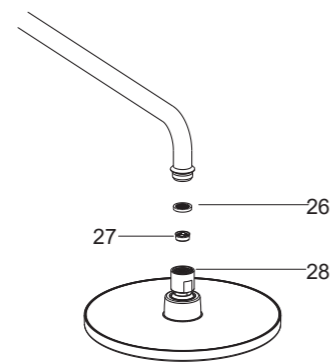
Put the regulator(22) into the handshower inlet if needed. Put the filter washers(23) into both ends of the shower hose(24). Connect the hose to the connector(20) and handshower. Tighten all the connectors.

Hang the handshower on the shower bracket(25).

如何安装头顶花洒

装头顶花洒(28)之前调整切换把手(19)处于头顶花洒出水位置, 打开水源冲掉管路中的杂质, 关闭水源。

取出垫片(26), 根据需要, 将限流器(27)放入到头顶花洒, 再装回垫片。将头顶花洒旋到弯管组件出水口上, 用带状扳手锁紧。



How to Install the Showerhead

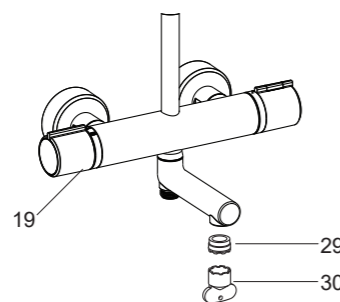
Turn diverter handle(19) to the position for showerhead(28) before installation, run hot and cold water for about one minute to remove any debris. Shut off the water supplies.

Take out the washer(26) and install the regulator(27) into the showerhead if needed, reinstall the washer. Tighten the showerhead onto the tube kit outlet with strap wrench.

安装结果检查

检查并确保所有的衔接处都已拧紧, 确保手柄在关的位置。打开排水系统和主要供水源, 检查并修理有漏水的接口。

对于32404T-7, 用工具(30)取下起泡器(29), 转动龙头出水口与龙头本体垂直, 调整切换把手(19)至浴缸出水位置, 打开冷热水源, 让水流出约一分钟, 以清除杂质。检查渗漏, 冲洗起泡器, 关闭水龙头, 装回起泡器。



INSTALLATION CHECKOUT

Ensure that all connections are tightened and the handle is in the off position. Turn on the drain and main water supplies, check for leaks. Repair as needed.

For 32404T-7, use a tool(30) to remove the aerator(29), turn the faucet spout to be vertical to the faucet body, adjust diverter handle(19) to the position for bath spout. Run hot and cold water through the faucet for about one minute to remove any debris. Check for leaks. Rinse the aerator. Shut off the faucet, reinstall the aerator.

维护与保养

温度测试与调整

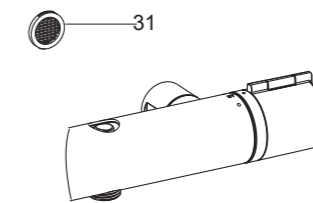
温度测试前, 应确保供水系统充分且有较高的温度。温度把手在37°C位置时, 打开龙头让水流出。进行温度测量, 出厂时温度设定在36~38°C范围内。如超出这个范围, 要进行调整。

步骤如下: 按住把手上盖顺时针旋转, 取下把手上盖和弹簧片, 用螺丝刀取下螺钉和温控把手组件。在正常水流的状态下, 由冷水位置开始慢慢转动温控阀轴(保持同一方向)直至获得37°C水流。如温度超过38°C, 回到冷水位置重新调整, 温度稳定后, 不要转动温控阀轴, 安装温控把手, 使得温控把手的指示标识与数字37对齐。如图示锁紧螺钉, 安装弹簧片和把手上盖, 逆时针旋转锁紧把手上盖。



如何清洗滤网

滤网垫片(31)可起到保护龙头的作用, 但长时间使用后, 水垢或杂质可能会堵塞滤网, 降低水流量。如果有类似情况发生, 卸下龙头, 取下滤网垫片(31)。用热醋清洗滤网。然后按照图示装回。



如何清洗温控阀

如果供水的水质较硬或长时间使用, 水垢或杂质会阻塞温控阀上的滤网, 流量会降低。需要清理请按照下列步骤进行: 关闭供水系统, 使切换阀处于打开位置后进行温控阀的拆卸作业。温控阀是较敏感的配件, 所以要十分小心。

CARE AND MAINTENANCE

Verification and Setting

Make sure the water feeds of the faucet have reached the highest temperature by running the water sufficiently. With the temperature selector in position of 37°C, the water temperature should be within the range between 36°C and 38°C, as measured by a thermometer. If not, the installer should adjust the setting.

Proceed with the setting as follows: Press the handle plug and turn it clockwise to remove the handle plug and spring. Uninstall the screw and the handle kit with the screwdriver. Under the normal condition of water flow, slowly turn the temperature selector (always in the same direction) from the cold water position until water temperature reaches 37°C. If the temperature goes over 38°C, please go back to the 'cold' setting and reset it. When the temperature is stable, do not turn the cartridge spindle, install temperature handle and make sure the reference mark is aligned with number 37. Tighten the screw, put on the spring and handle plug as shown, and turn the handle plug counter-clockwise to secure it.

How to Clear the Filter

The filters(31) can protect the faucet, but it may get obstructed and reduce water flow after a long time of use. If this happens, please uninstall the faucet and filters(31), and clean the filters by soaking them in warm vinegar. Reinstall it as the figure shown.

How to Clear the Thermostatic Cartridge

Very hard water can obstruct the filters on the thermostatic cartridge and reduce the water flow. Please clean the cartridge as follows: Shut off the water supplies and open the diverter handle, then remove the cartridge. The cartridge is sensitive component, please be careful.