

**Features**

- Full-length exterior integrated handle
- Tempered glass ensures enhanced safety and durability
- SealNetik™ full-length magnetic seal keeps door firmly closed, providing excellent water containment
- Smooth, easy-to-clean wall jambs
- Pivot shower door configuration consists of one moving panel

**Material**

- Framed, 1/8" (3 mm) thick Clear tempered glass
- Anodized aluminum prevents rust and corrosion

**Installation**

- Fits opening widths 30-1/8" – 33" (765 – 838 mm)
- 69" (1753 mm) high, with 68" (1727 mm) minimum head clearance
- 2-7/8" (73 mm) width adjustment
- 1/2" (13 mm) out-of-plumb adjustability on each side simplifies installation
- Door can be installed to open to the left or right to suit your bathroom layout



**Codes/Standards**

ANSI Z97.1  
CAN/CGSB-12.1  
CPSC 16CFR 1201

**STERLING® One-Year Limited Warranty**

See website for detailed warranty information.

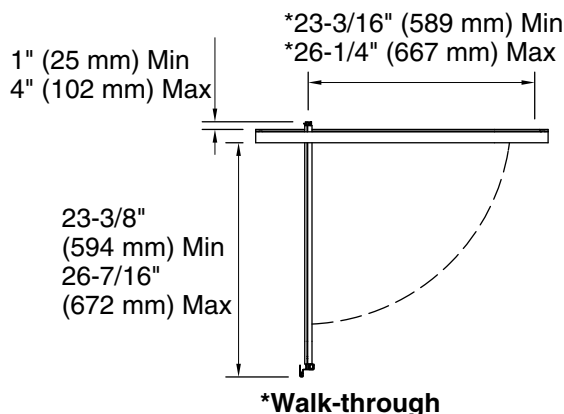
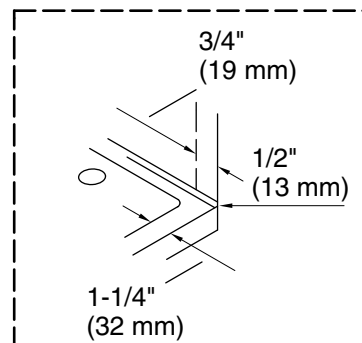
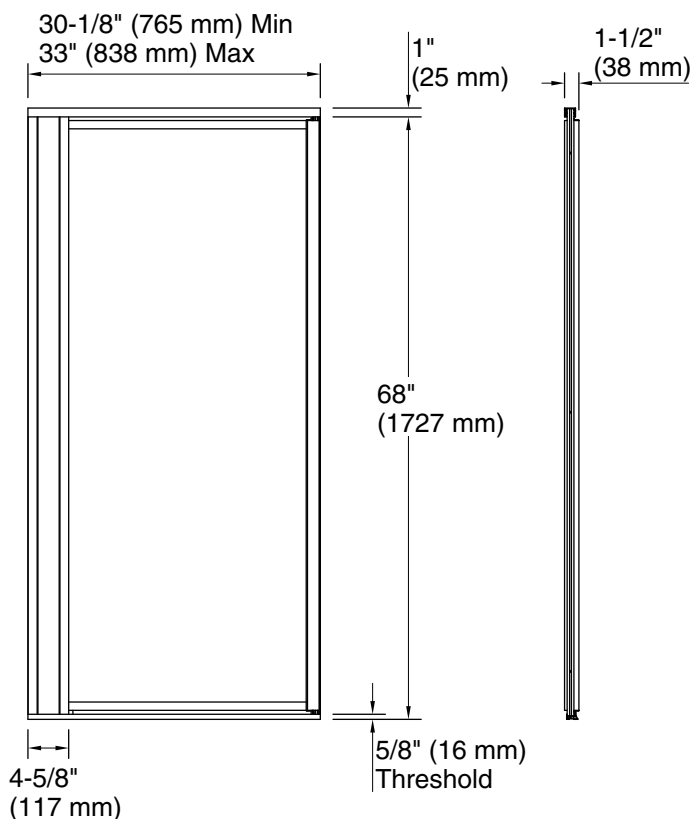
**Available Colors/Finishes**

*Color tiles intended for reference only.*

Color	Code	Description
	SH	Bright Silver
	N	Nickel
	BL	Matte Black

**Available Glass Options**

Code	Description
G05	Clear



**Technical Information**

All product dimensions are nominal.

- Base-To-Wall 1/2" (13 mm)
- Radius – Max:
- Shower Ledge Min 1-5/16" (33 mm)
- Flat:
- Shower Wall Min 7/8" (22 mm)
- Flat:

**Notes**

- Install this product according to the installation guide.
- The vertical opening should be a minimum of 72" (1829 mm) to allow for installation clearance.