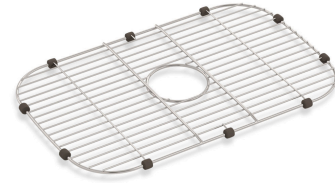


**Features**

- Protects bottom of sink from scratches
- Nonabrasive feet protect sink's surface
- Single rack
- Center drain opening
- For use with select STERLING Valton™ kitchen sinks

**Material**

- Stainless steel construction



**Codes/Standards**

None Applicable


**STERLING® One-Year Limited  
Warranty**

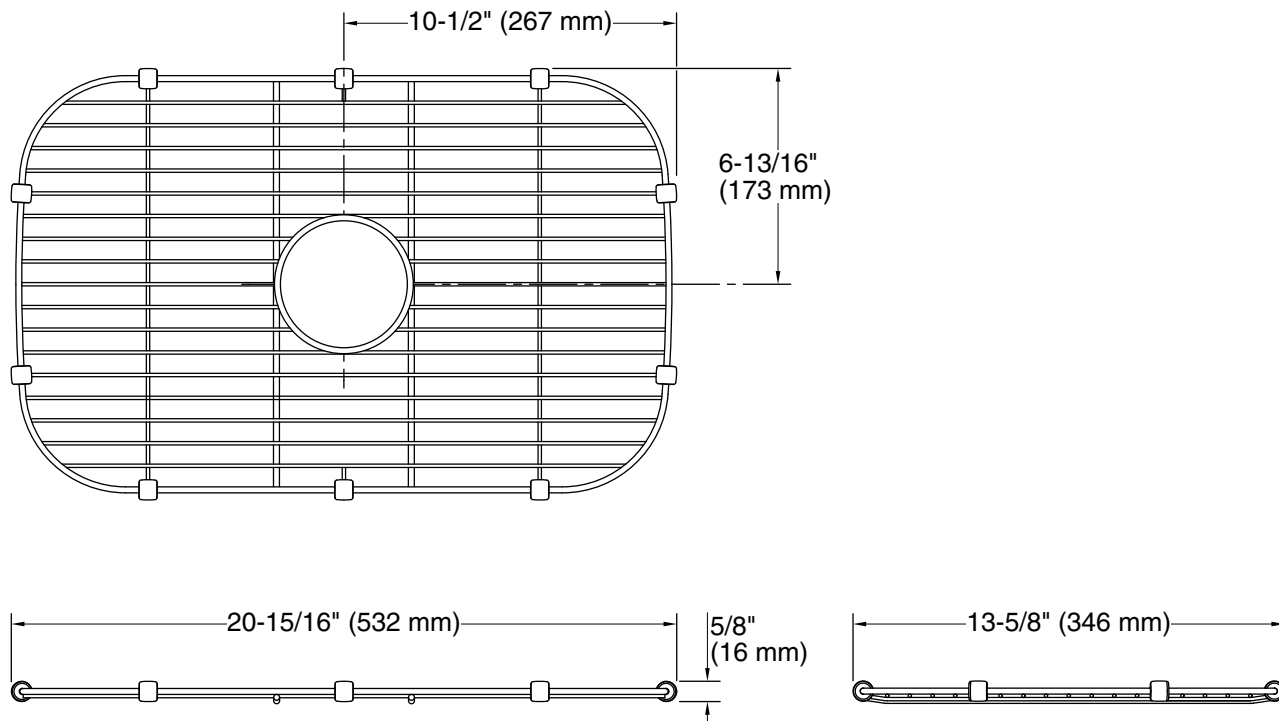
See website for detailed warranty information.

**Available Colors/Finishes**

*Color tiles intended for reference only.*

**Color Code Description**

	ST	Stainless Steel
-------------------------------------------------------------------------------------	----	-----------------



**Technical Information**

All product dimensions are nominal.

Material: Stainless Steel