



Southaven®
33" top-mount single-bowl kitchen sink
37047-3

Features

- Three faucet holes
- 9-1/4" (235 mm) depth provides generous workspace
- 3-5/8" (92 mm) drain opening
- Stainless steel with luster bowl finish and a satin deck finish

Material

- Premium 18-gauge stainless steel

Installation

- Top-mount

Recommended Products/Accessories

- 7400 Stainless Steel Sink Drain and Strainer
- K-23726 Drain treatment
- K-23729 Stainless steel cleaner

Included Components

- 1279210 12 Count Installation Clips

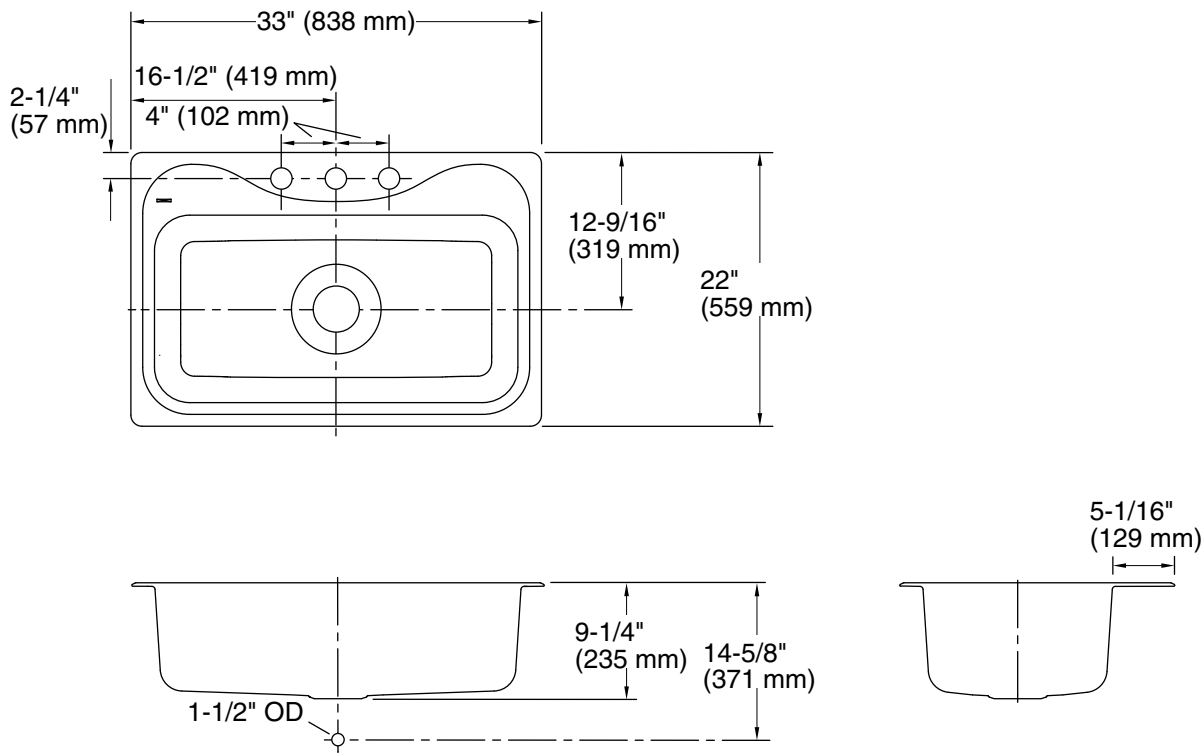


Codes/Standards

ASME A112.19.3/CSA B45.4

**STERLING® Stainless Steel Sinks
Lifetime Limited Warranty**

See website for detailed warranty information.



Technical Information

All product dimensions are nominal.

Basin configuration: Single Bowl

Min. base cabinet width: 36" (914 mm)

Bowl area (Only): Length: 29-1/4" (743 mm)
Width: 15" (381 mm)
Bowl depth: 9-1/4" (235 mm)
Water depth: 9" (229 mm)

Number of deck holes: 3

Faucet hole(s): 1-7/16" (37 mm)

Drain hole: 3-5/8" (92 mm)

Template: 1032929-7, not required, not included

Notes

Install this product according to the installation instructions.

Measure your actual product for roughing-in details.