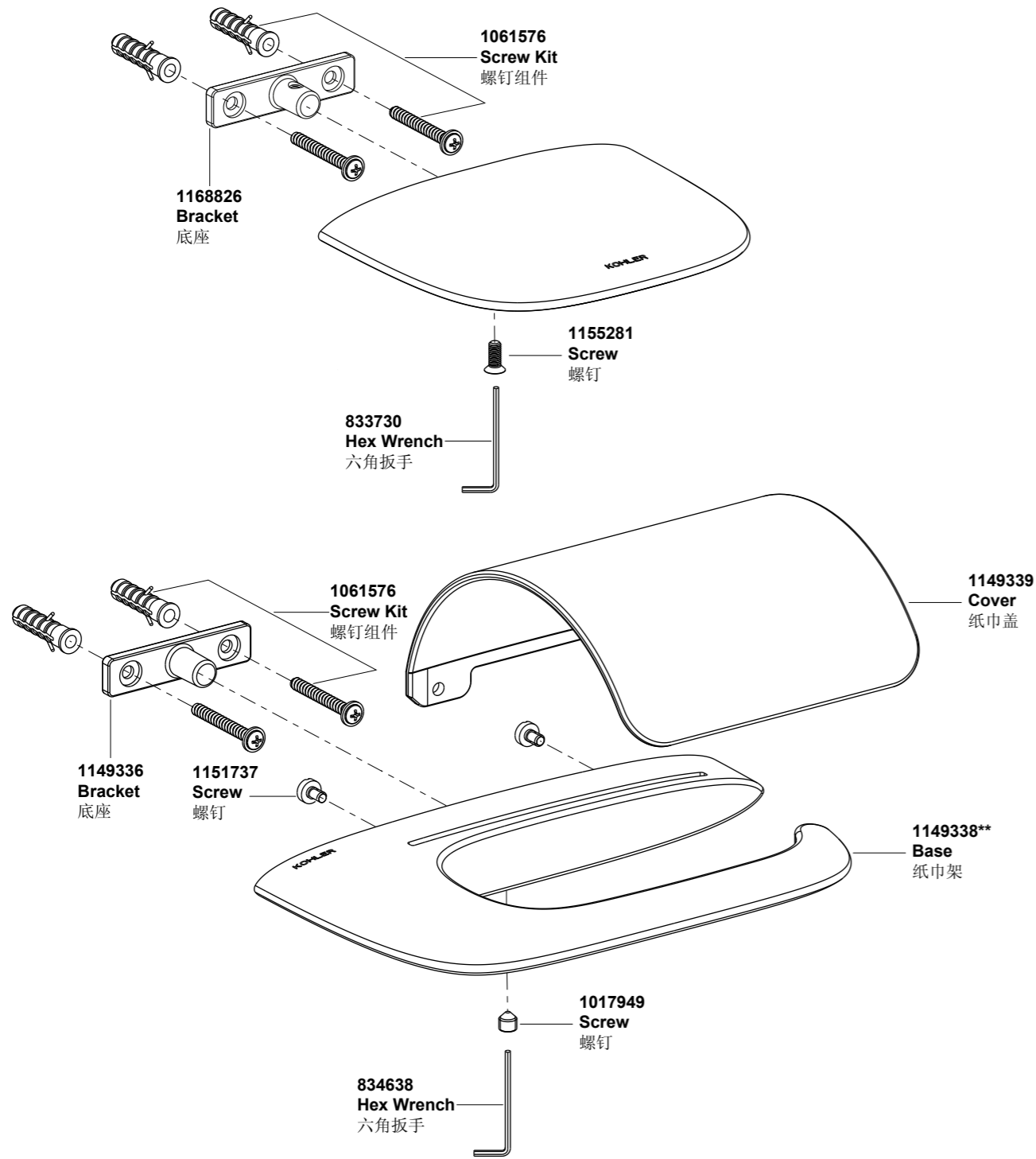


- 37066T 挂墙式皂盘
- 37067T 卫生纸架 (带盖板)



**订购时请说明颜色编号
**Color code must be specified when ordering

- | | |
|------------------|----------------|
| 37059T 18"毛巾杆 | 37060T 24"毛巾杆 |
| 37061T 24"双毛巾杆 | 37062T 24"双浴巾架 |
| 37063T 衣钩 | 37064T 毛巾环 |
| 37065T 缸边式皂盘 | 37066T 挂墙式皂盘 |
| 37067T 卫生纸架(带盖板) | |

安装之前

所有的资料是按最新发布的产品资料编写而成。科勒公司保留任何时候不经通知即可改变产品特性、包装或产品可供类型的权利。

说明书包括重要的安装、保养及清洁方面的内容，请把这些资料交给用户阅读。

注意事项:

本产品为水泥墙面安装或木墙面安装。若安装在其他表面可能影响产品性能。

危险警告: (人身伤害)

本产品不能作为扶手等支撑物使用，请勿将产品安装在可能被误认为扶手等支撑物的位置。

BEFORE YOU BEGIN

All information is based on the latest product information available at the time of publication. Kohler Co. reserves the right to make changes in product characteristics, packaging, or availability at any time without notice.

Please leave these instructions for the consumer. They contain important information.

NOTE:

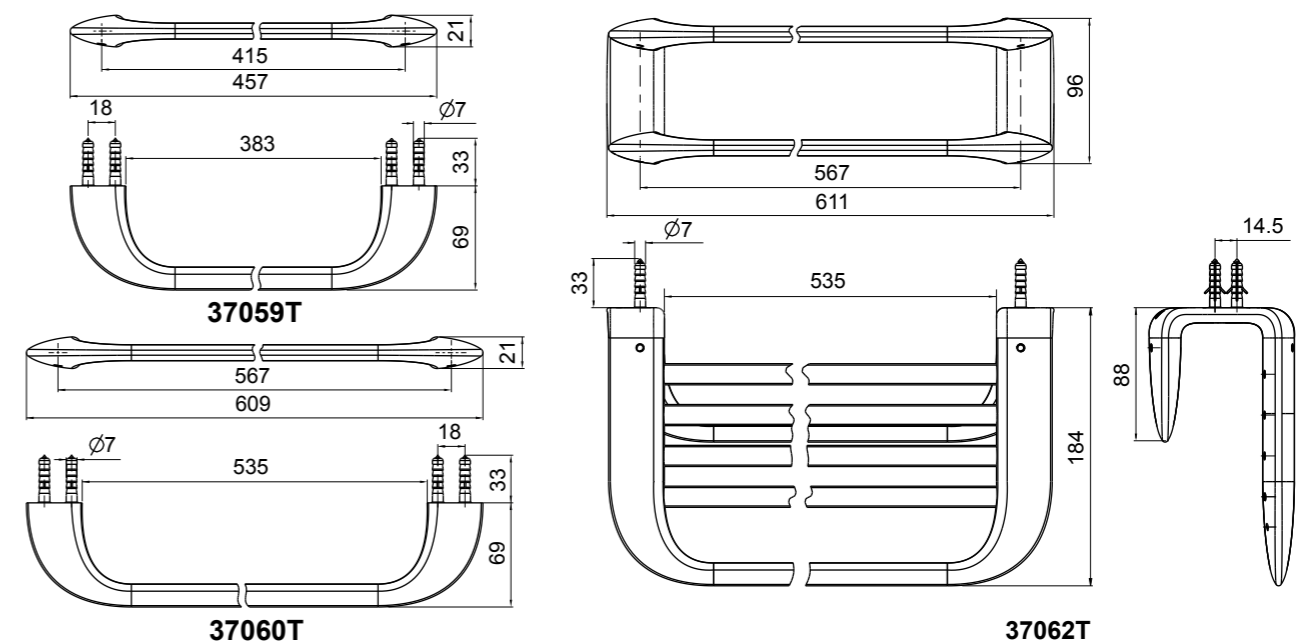
These products should be located and mounted to a wall. While it is possible to mount them to any surface, a stud or concrete mounted product will yield the best results.

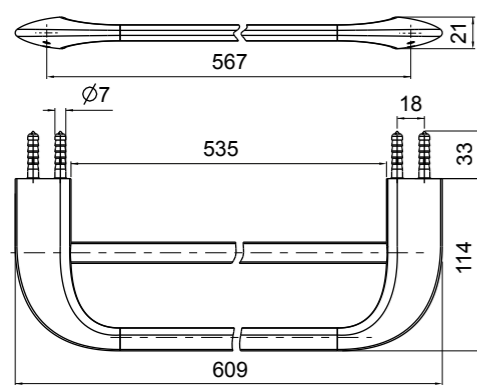
DANGER: (Risk of personal injury)

These products are not designed or intended for use as a grab bar or support bar. Do not install any of these products in any area where they are likely to be used inadvertently as a grab bar or support bar.

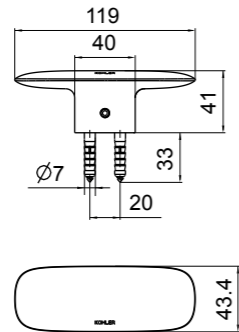
安装尺寸

ROUGH-IN DIMENSIONS

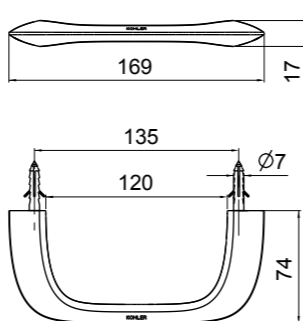




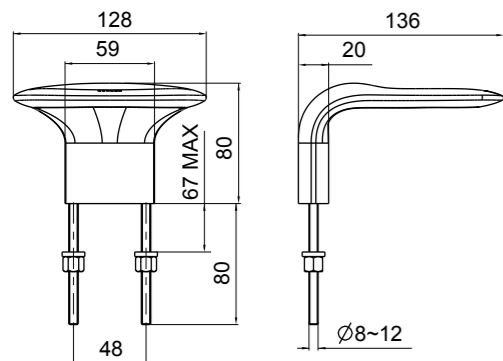
37061T



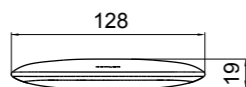
37063T



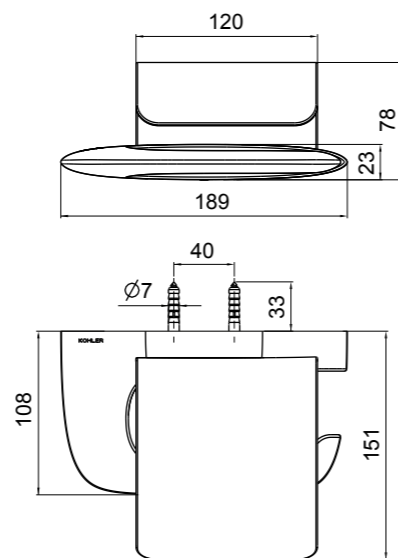
37064T



37065T



37066T



37067T

安装步骤

如何安装托架

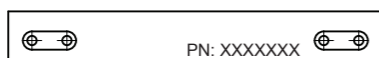
仅对于37059T/37060T/37061T/
37062T/37064T

如图所示，在垂直面的墙壁上找一合适的位置粘贴模板，确保模板水平。根据胀塞直径钻孔。

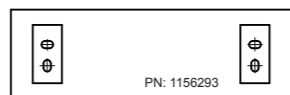
仅对于37063T/37066T/37067T

在垂直面的墙壁上，选择一个合适的位置用于安装底座。

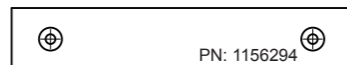
如图所示，在墙壁上标记胀塞(1)安装孔位置，确保底座(3)两安装孔水平。根据胀塞直径钻孔。



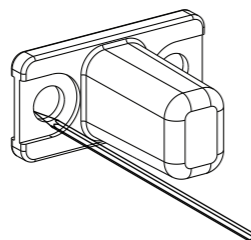
仅适用于37059T/37060T/37061T



仅适用于37062T



仅适用于37064T



INSTALLATION

How To Install The Bracket

Only For 37059T/37060T/
37061T/37062T/37064T

Select a location on the vertical wall to stick the templet, ensure the templet is level. Drill holes in the finished wall as required.

Only For 37063T/37066T/
37067T

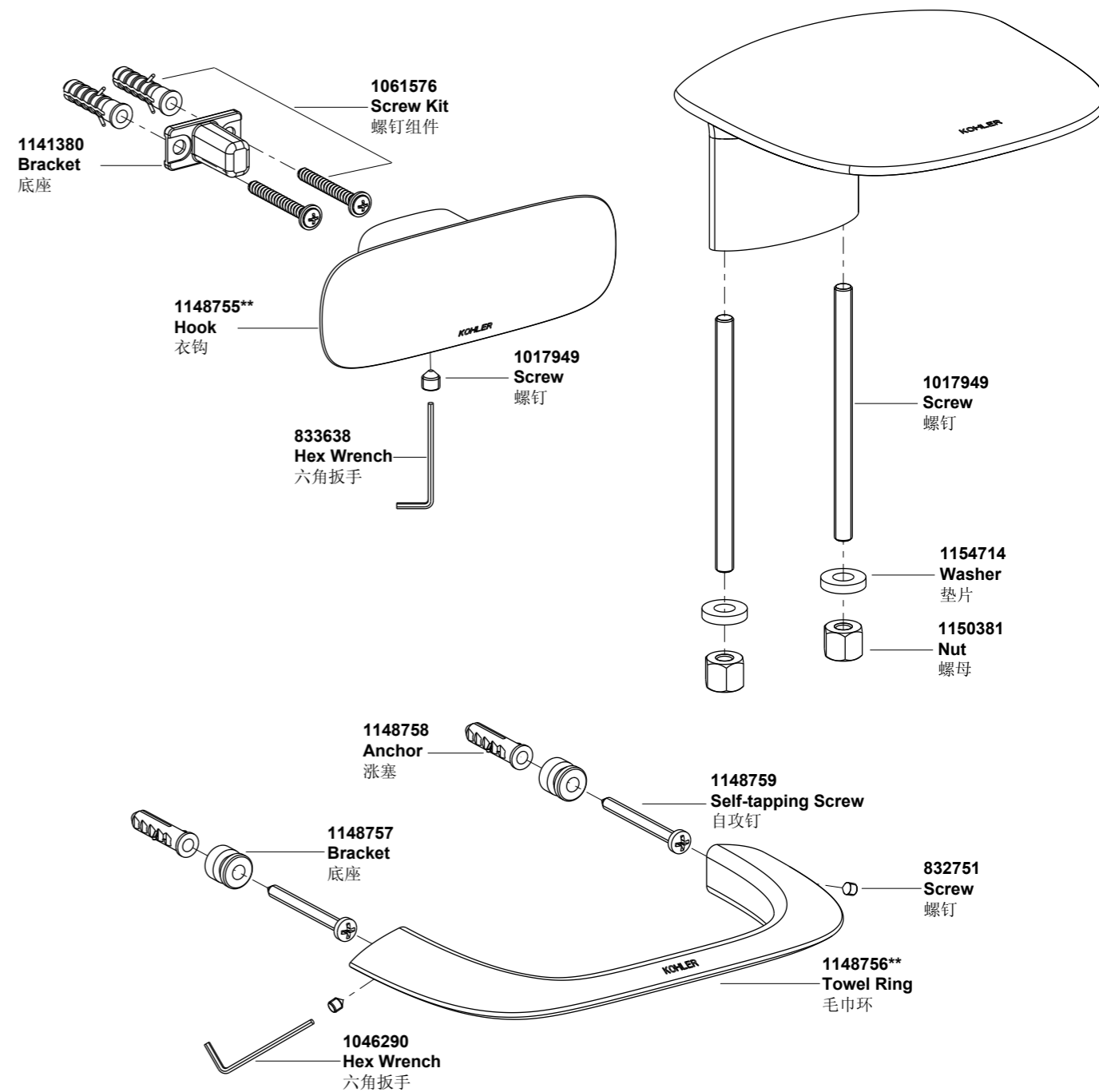
Select a location on the vertical wall to install the bracket.

Mark anchor(1) mounting hole locations on wall as shown, ensure two screw holes on the bracket(3) are level. Drill holes in the finished wall as required.

KOHLER®
ACCESSORY SERVICE PARTS
浴室配件 零件图

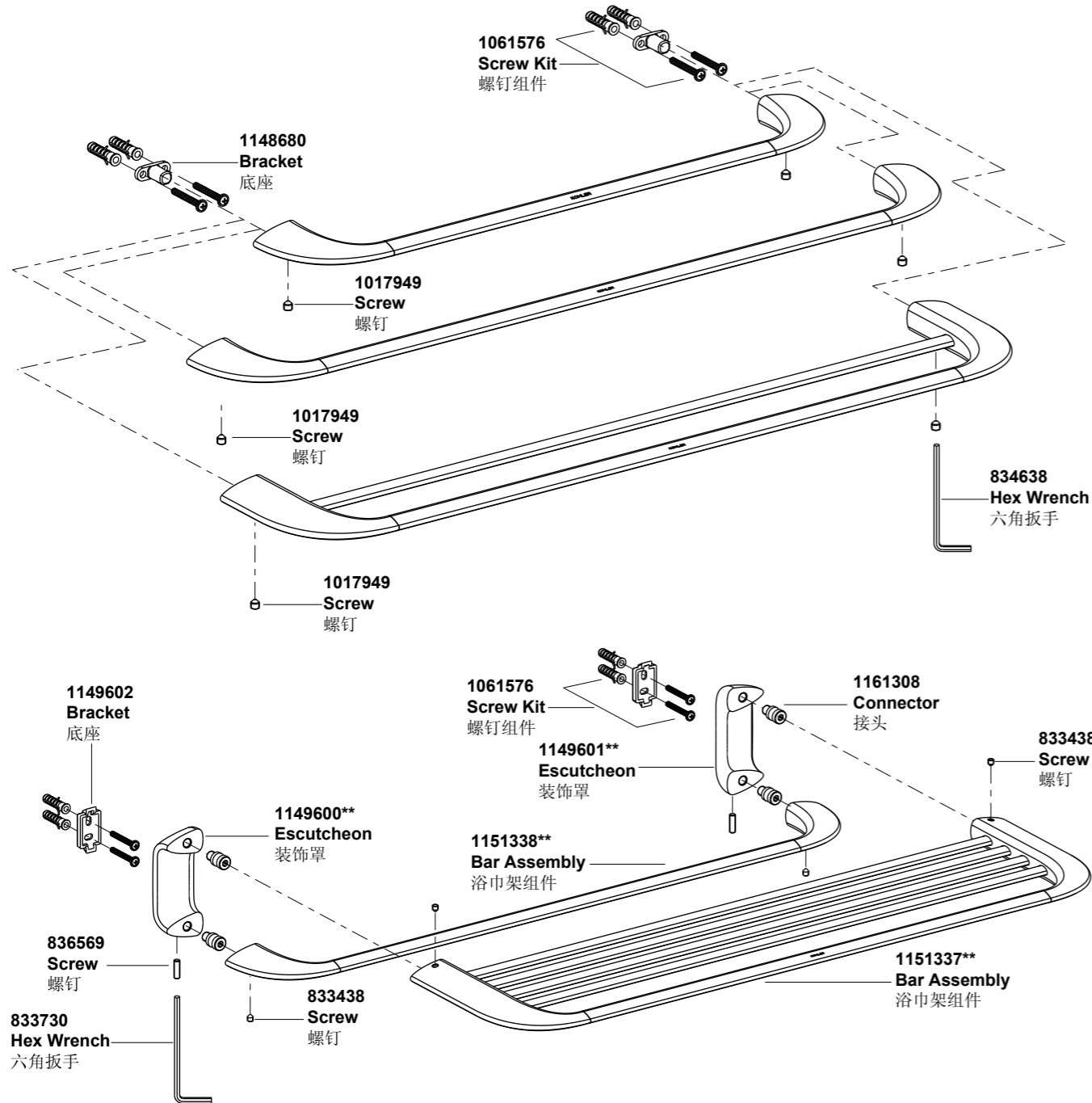
奥睿
AORUI
Accessories

- 37063T 衣钩
- 37064T 毛巾环
- 37065T 缸边式皂盘



**订购时请说明颜色编号
**Color code must be specified when ordering

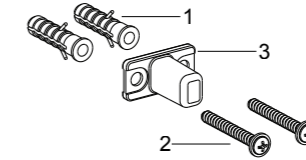
- 37059T 18"毛巾杆
- 37060T 24"毛巾杆
- 37061T 24"双毛巾杆
- 37062T 24"双层浴巾架



**订购时请说明颜色编号
 **Color code must be specified when ordering

对于所有产品(除37065T外)

将胀塞(1)塞入孔中, 用自攻钉(2)固定底座(3)。

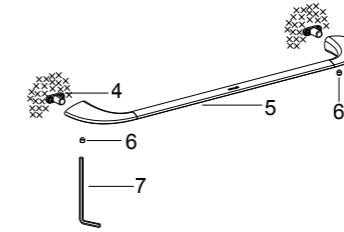


For All Products(Except for 37065T)

Press the anchor(1) into the holes. secure the bracket(3) with the self-tapping screws(2).

如何安装毛巾杆

将底座(4)装入毛巾杆组件(5)的连接杆内, 保持装饰罩的螺钉孔向下, 用六角扳手(7)锁紧螺钉(6), 固定毛巾杆组件。

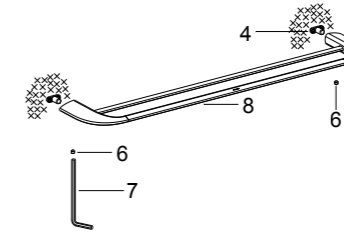


How To Install Towel Bar

Slide the extension of the towel bar kit(5) onto the bracket(4). Orient the screw hole of the extension downward. Tighten the screw(6) with the hex wrench(7) to secure the towel bar kit.

如何安装双毛巾杆

将底座(4)装入双毛巾杆组件(8)的连接杆内, 保持装饰罩的螺钉孔向下, 用六角扳手(7)锁紧螺钉(6), 固定双毛巾杆组件。

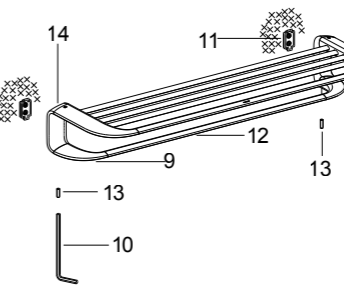


How To Install Double Towel Bar

Slide the extension of the double towel bar kit(8) onto the bracket(4). Orient the screw hole of the extension downward. Tighten the screw(6) with the hex wrench(7) to secure the double towel bar kit.

如何安装双层浴巾架

将底座(11)装入双层浴巾架组件(12)的装饰罩(14)内, 保持双层浴巾架的连接杆(9)的螺钉孔向下, 用六角扳手(10)锁紧螺钉(13), 固定双层浴巾架组件。

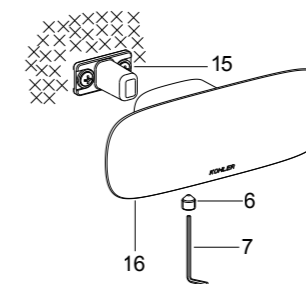


How To Install Double Towel Shelf

Slide the escutcheon(14) of the double towel shelf kit(12) onto the bracket(11). Orient the screw hole of the extension (9) of the double towel shelf downward. Tighten the screw(13) with the hex wrench(10) to secure the double towel shelf kit.

如何安装衣钩

将底座(15)装入衣钩(16)内, 保持衣钩的螺钉孔向下, 用六角扳手(7)锁紧螺钉(6), 固定衣钩。

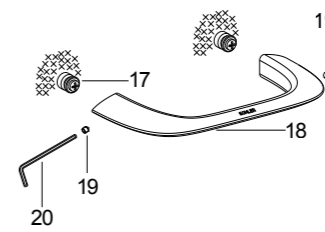


How To Install The Robe Hook

Slide the hook(16) onto the bracket(15). Orient the screw hole of the hook downward. Tighten the screw(6) with the hex wrench(7) to secure the hook.

如何安装毛巾环

将底座(17)装入毛巾环(18)内, 保持毛巾环的螺钉孔向下, 用六角扳手(20)锁紧螺钉(19), 固定毛巾环。



How To Install The Towel Ring

Slide the towel ring(18) onto the bracket(17). Orient the screw hole of the towel ring downward. Tighten the screw(19) with the hex wrench(20) to secure the towel ring.

如何安装缸边式皂盘

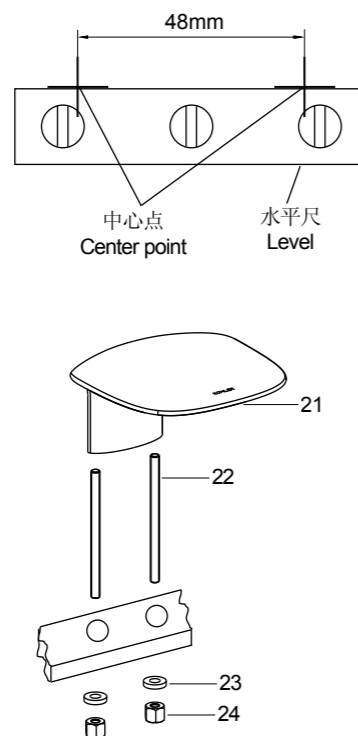
在水平台面或浴缸边找一个合适的位置安装缸边式皂盘。

如图所示，在台面上标记安装皂盘的中心点，中心距为48mm。确保中心点连线水平。以标记的中心点为中心钻两个直径为8~12mm的孔。

将螺杆(22)装入缸边式皂盘组件(21)的孔内，用手拧紧螺杆。然后将皂盘安装到桌面或浴缸孔内。

从台面或浴缸面底下将垫片(23)和螺母(24)装到皂盘的螺杆上，然后用扳手拧紧螺母。

注意：安装台面的最大厚度为67mm。



How To Install Deck Mount Soap Dish

Select a location on the horizontal wall or deck to install the deck mount soap dish.

As shown, mark the center points on the finished wall, and keep the center-to-center distance at 48mm. Use a level to ensure that all center points are level. Drill two holes with 8~12mm diameter in the finished wall as required.

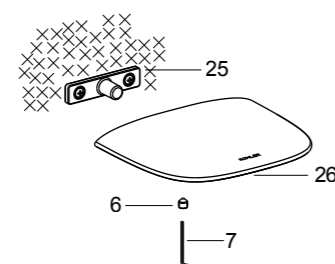
Slide the mounting screw(22) onto the hole of deck mount soap dish kit(21), and tighten the mounting screw(22) to soap dish. Then insert the soap dish into the center hole of the deck or bath tub.

From the underside of the deck or bath tub, install the washer(23), the nut(24) to the mounting screw(22) of soap dish, use a wrench to tighten the nut.

NOTE: The maximal thickness of the assembly wall is 67mm.

如何安装挂墙式皂盘

将底座(25)装入皂盘组件(26)中，保持皂盘组件的螺钉孔向下，用六角扳手(7)锁紧螺钉(6)，固定皂盘组件。

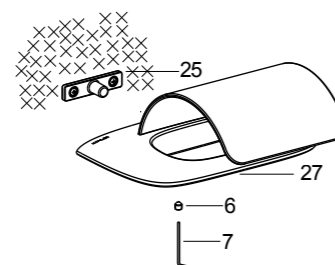


How To Install Wall Mount Soap Dish

Slide the soap dish kits(26) onto the bracket(25). Orient the screw hole of soap dish kit downward. Tighten the screws(6) with the hex wrench(7) to secure the soap dish kits.

如何安装卫生纸架

将底座(25)装入卫生纸架组件(27)中，保持卫生纸架组件的螺钉孔向下，用六角扳手(7)锁紧螺钉(6)，固定卫生纸架组件。



How To Install Toilet Paper Holder

Slide the toilet paper holder kits(27) onto the bracket(25). Orient the screw hole of toilet paper holder kit downward. Tighten the screws(6) with the hex wrench(7) to secure the toilet paper holder kits.

安装结果检查

检查并确保所有连接处已锁紧。

INSTALLATION CHECKOUT

Ensure that all connections are tightened.

清洗说明

适用于所有加工处理过的表面：以中性肥皂水清洗镀层表面，再以干净的软布彻底擦干整个表面，许多清洁剂，比如氨水、去污粉及洁厕灵等，会对电镀表面造成伤害，切忌使用。

有磨损性的清洁用具或清洁剂也不可适用于科勒牌的水龙头及其配件上。

CLEANING INSTRUCTIONS

All Finishes: Clean the finish with mild soap and warm water. Wipe entire surface completely dry with a clean soft cloth. Many cleaners may contain chemicals, such as ammonia, chlorine, toilet cleaner etc. Which could adversely affect the finish and are not recommended for cleaning.

Do not use abrasive cleaners or solvents on Kohler faucets and fittings.