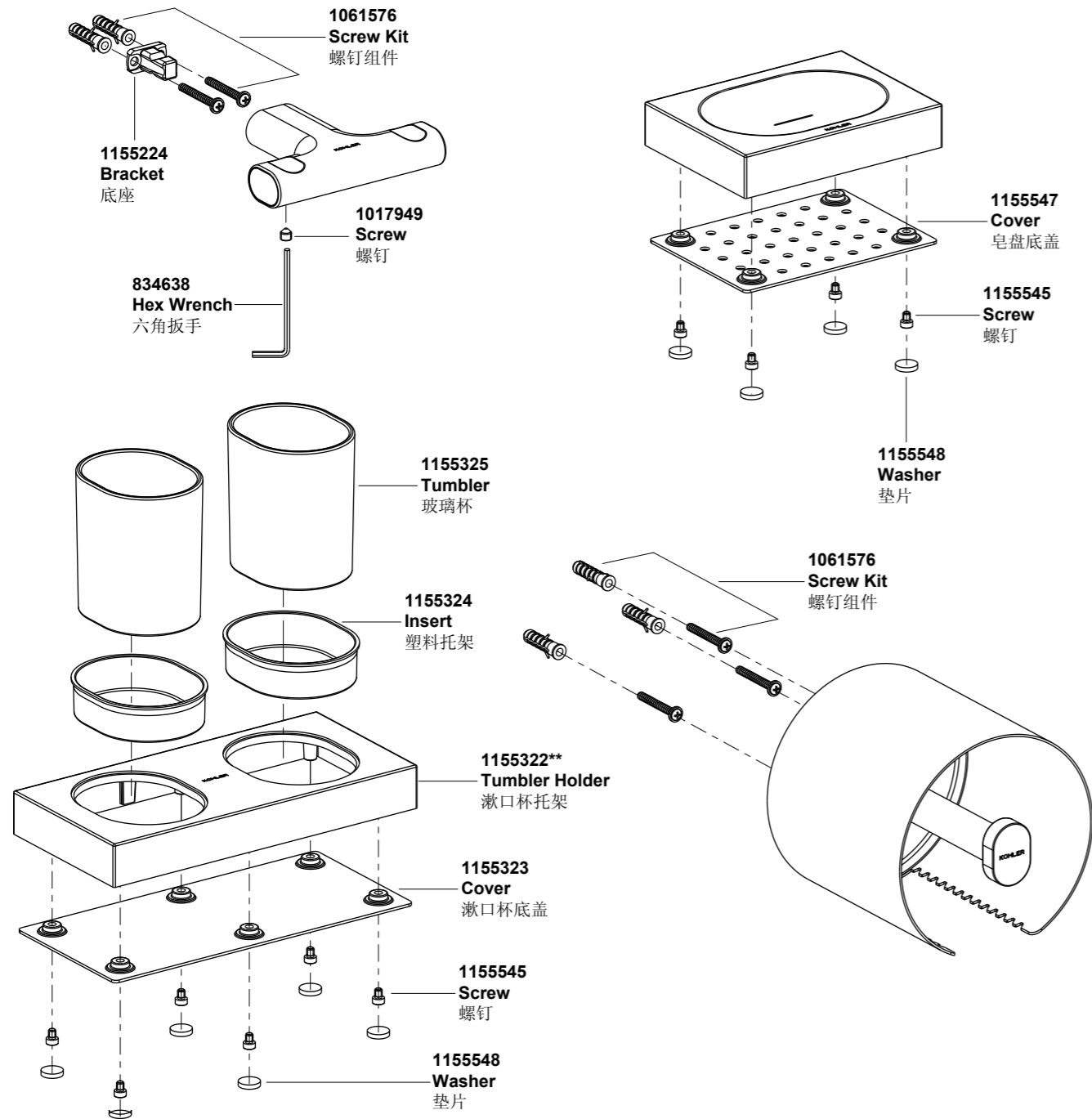


- 37291T 双衣钩
- 37293T 漱口杯架
- 37294T 皂盘
- 37297T 卫生纸架 (带盖板)



**订购时请说明颜色编号
**Color code must be specified when ordering

- 37288T 18"毛巾杆
- 37290T 24"双毛巾杆
- 37293T 漱口杯架
- 37295T 置物架
- 37297T 卫生纸架 (带盖板)
- 37299T 卫生纸架 (垂直型)
- 37289T 24"毛巾杆
- 37291T 双衣钩
- 37294T 皂盘
- 37296T 24"双浴巾架
- 37298T 双层角篮
- 37300T 双卫生纸架 (垂直型)

安装之前

所有的资料是按最新出版的产品资料编写而成。科勒公司保留任何时候不经通知即可改变产品特性、包装或产品可供类型的权利。

说明书包括重要的安装、保养及清洁方面的内容，请把这些资料交给用户阅读。

注意事项：

本产品为水泥墙面安装或木墙面安装。若安装在其他表面可能影响产品性能。

危险警告：(人身伤害)

本产品不能作为扶手等支撑物使用，请勿将产品安装在可能被误认为扶手等支撑物的位置。

BEFORE YOU BEGIN

All information is based on the latest product information available at the time of publication. Kohler Co. reserves the right to make changes in product characteristics, packaging, or availability at any time without notice.

Please leave these instructions for the consumer. They contain important information.

NOTE:

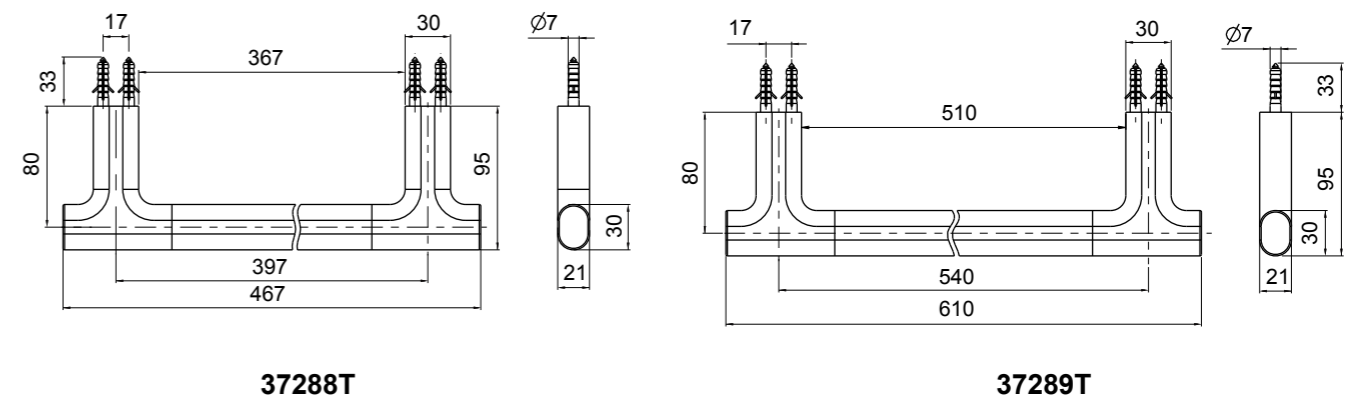
These products should be located and mounted to a wall. While it is possible to mount them to any surface, a stud or concrete mounted product will yield the best results.

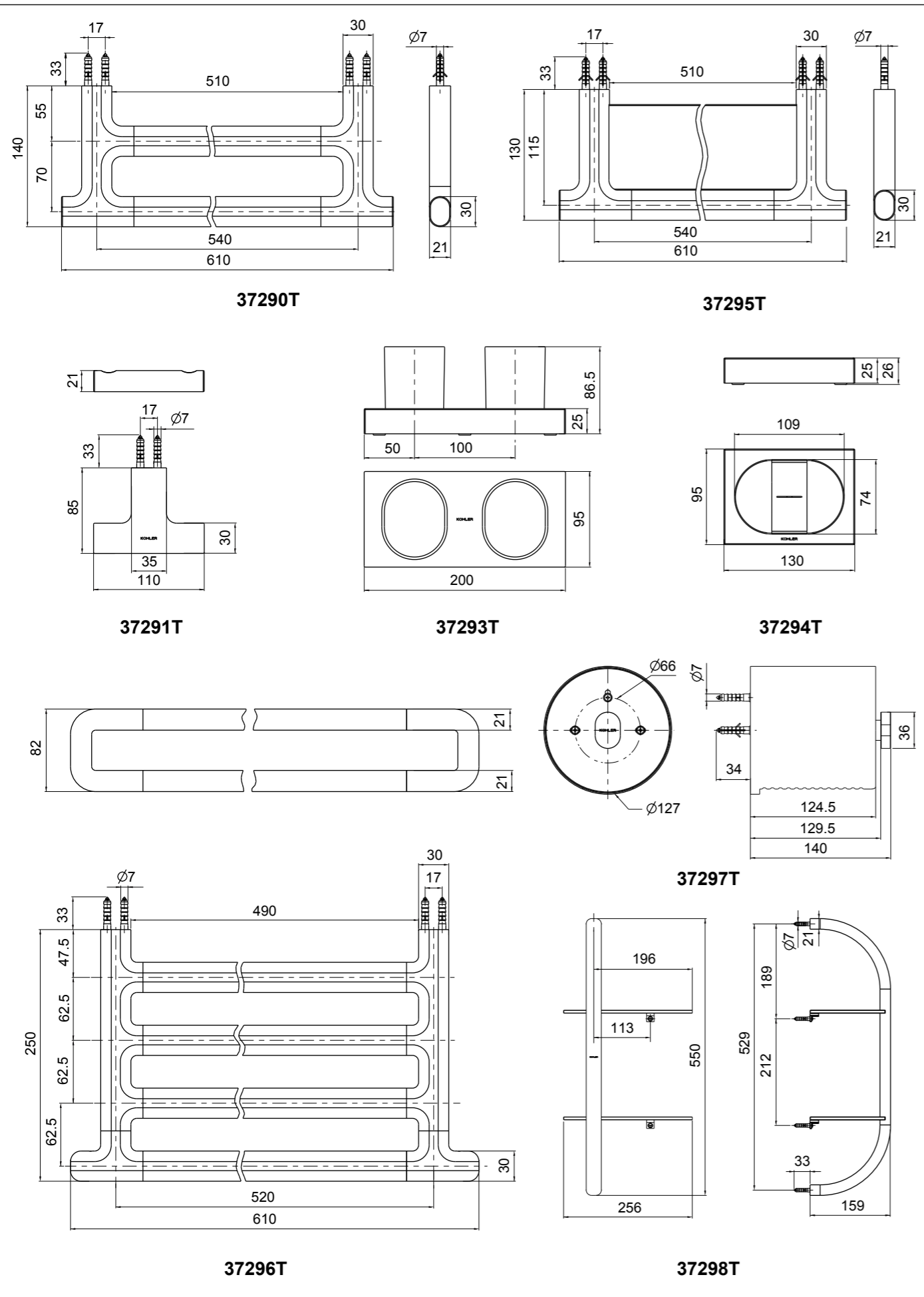
DANGER: (Risk of personal injury)

These products are not designed or intended for use as a grab bar or support bar. Do not install any of these products in any area where they are likely to be used inadvertently as a grab bar or support bar.

安装尺寸

ROUGH-IN DIMENSIONS





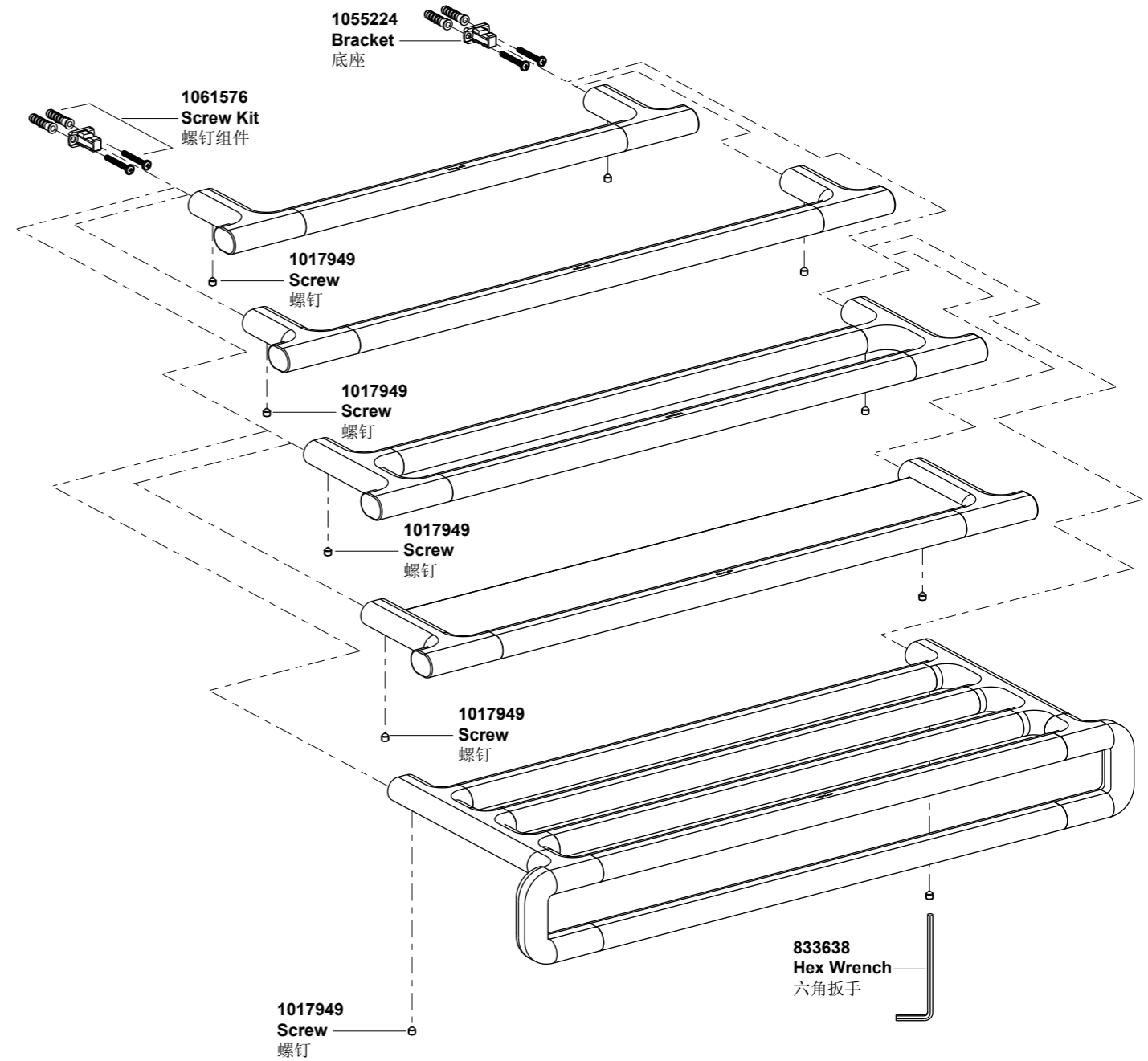
KOHLER®

ACCESSORY SERVICE PARTS

浴室配件 零件图



- 37288T 18"毛巾杆
- 37289T 24"毛巾杆
- 37290T 24"双毛巾杆
- 37295T 置物架
- 37296T 24"双浴巾架

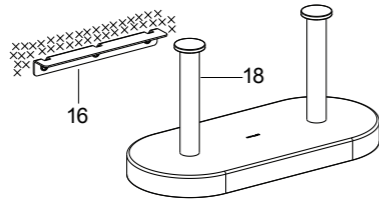


**订购时请说明颜色编号
**Color code must be specified when ordering

如何安装双卫生纸架（垂直型）

将固定底座(16)的自攻钉拧松，将底座(16)从墙面上取下。

将纸巾架组件(18)通过背面的孔安装到自攻钉上，然后将底座(16)从纸巾架组件(18)的底面用力往上推，使底座卡入自攻钉内，拧紧自攻钉，固定卫生纸架组件。



How To Install Double Toilet Tissue Holder (Vertical)

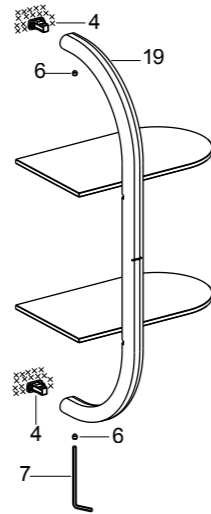
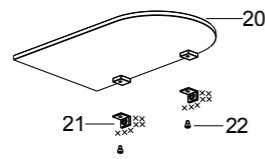
Loosen the self-tapping screw on the bracket(16), remove the bracket(16) from the wall.

Slide the toilet tissue holder kit(18) onto the self-tapping screw, then slide the bracket(16) onto the self-tapping screw from the bottom of toilet tissue holder kit(18). Tighten the self-tapping screw with to secure the toilet tissue holder kit.

如何安装双层角蓝

将玻璃平台组件(20)装到底座(21)上，调节玻璃平台的位置，使玻璃平台组件(20)上的螺钉孔与底座(21)上的竖直向下的螺钉孔对齐，然后用十字螺丝刀将螺钉(22)拧紧，固定玻璃平台组件。

将杆组件(19)装到底座(4)上，调节杆组件的位置，使玻璃平台组件嵌入到杆组件中，并保持杆组件的螺钉孔向下，用六角扳手(7)锁紧螺钉(6)，固定杆组件。



How To Install Double Corner Shelf

Slide the glass kit(20) onto the bracket(21), orient the glass kit(20) position, ensure the hole of the glass kit(20) is aligned with the hole of the bracket(21), then tighten the screw(22) with cross screwdriver to secure the glass kit.

Slide the bar kit(19) onto the bracket(4). orient the bar kit(19) position, ensure the glass kit slide onto the bar kit and the screw hole of the bar kit(19) downward. Tighten the screw(6) with the hex wrench(7) to secure the bar kit.

安装结果检查

检查并确保所有连接处已锁紧。

INSTALLATION CHECKOUT

Ensure that all connections are tightened.

清洗说明

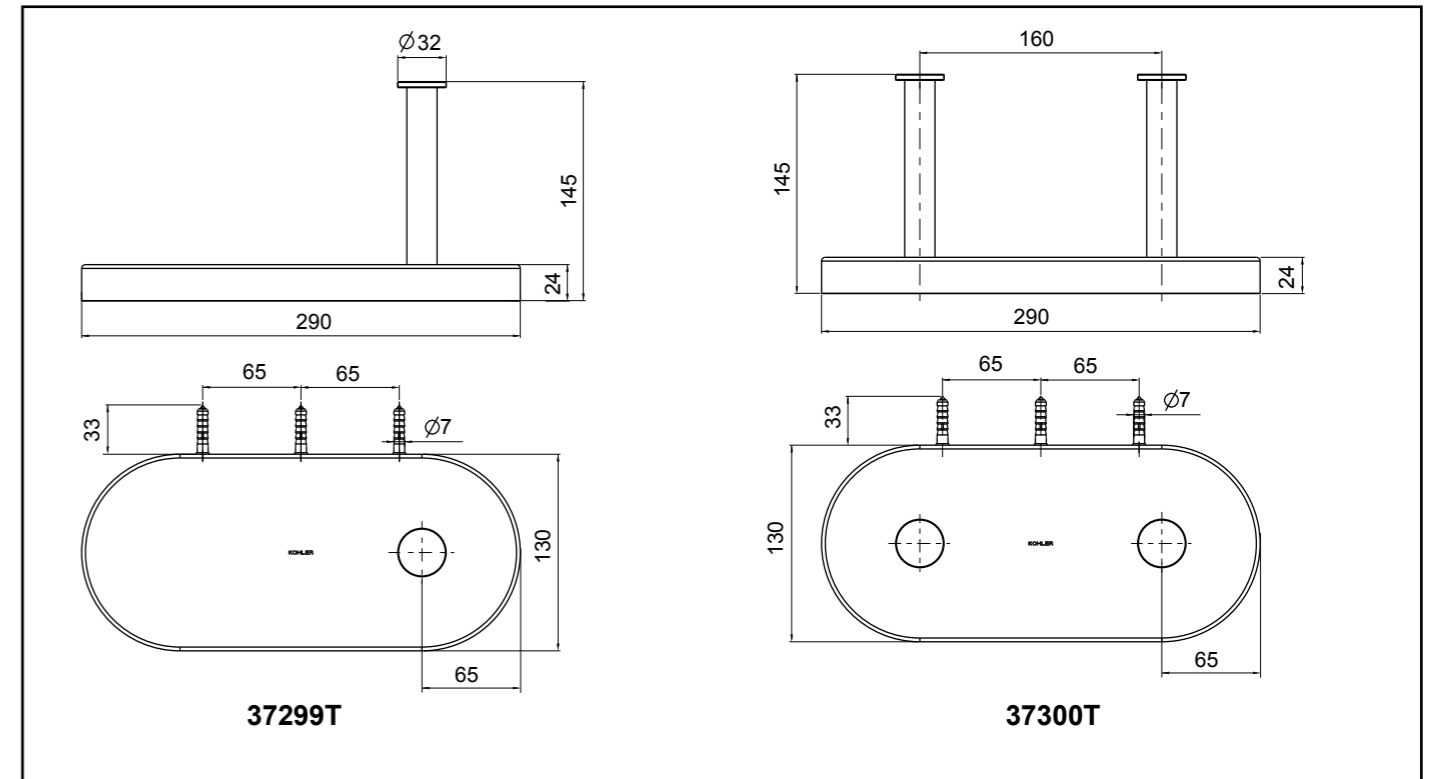
适用于所有加工处理过的表面：以中性肥皂水清洗镀层表面，再以干净的软布彻底擦干整个表面，许多清洁剂，比如氨水、去污粉及洁厕灵等，会对电镀表面造成伤害，切忌使用。

有磨损性的清洁用具或清洁剂也不可适用于科勒牌的水龙头及其配件上。

CLEANING INSTRUCTIONS

All Finishes: Clean the finish with mild soap and warm water. Wipe entire surface completely dry with a clean soft cloth. Many cleaners may contain chemicals, such as ammonia, chlorine, toilet cleaner etc. Which could adversely affect the finish and are not recommended for cleaning.

Do not use abrasive cleaners or solvents on Kohler faucets and fittings.



安装步骤

如何安装托架

仅对于37288T/37289T/37290T/37295T/37296T/37299T/37300T

如图所示，在垂直面的墙壁上找一个合适的位置粘贴模板，确保模板水平。根据胀塞直径钻孔。

仅对于37298T

如图所示，在垂直面的墙壁上找一个墙角位置粘贴模板，使模板的A面与墙角的一面贴平，并确保模板水平。根据胀塞直径钻孔。

仅对于37291T

在垂直面的墙壁上，选择一个合适的位置用于安装底座。

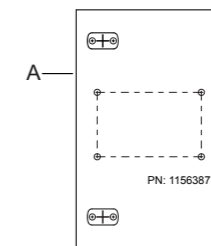
如图所示，在墙壁上标记胀塞(1)安装孔位置，确保底座(3)两安装孔水平。根据胀塞直径钻孔。



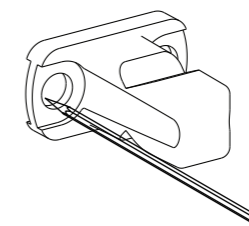
仅适用于37288T/37289T/37290T/37295T/37296T



仅适用于37299T/37300T



仅适用于37298T



INSTALLATION

How To Install The Bracket

Only For 37288T/37289T/37290T/37295T/37296T/37299T/37300T

Select a location on the vertical wall to stick the templet, ensure the templet level. Drill holes in the finished wall as required.

Only For 37298T

Select a corner location on the vertical wall to stick the templet, keep side A of the templet attached to one wall of the corner, ensure the templet level. Drill holes in the finished wall as required.

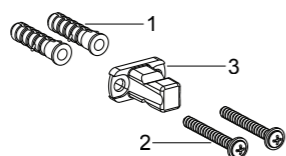
Only For 37291T

Select a location on the vertical wall to install the bracket.

Mark anchor(5) mounting hole locations on wall as shown, ensure two screw holes are level. Drill holes in the finished wall as required.

对于所有产品(除37293T, 37294T和37297T外)

将胀塞(1)塞入孔中, 用自攻钉(2)固定底座(3)。

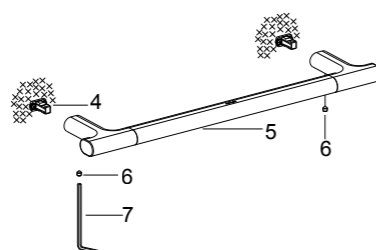


For All Products(Except for 37293T, 37294T and 37297T)

Press the anchor(1) into the holes. secure the bracket(3) with the self-tapping screws(2).

如何安装毛巾杆

将毛巾杆组件(5)的连接杆装到底座(4)上, 保持连接杆的螺钉孔向下, 用六角扳手(7)锁紧螺钉(6), 固定毛巾杆组件。

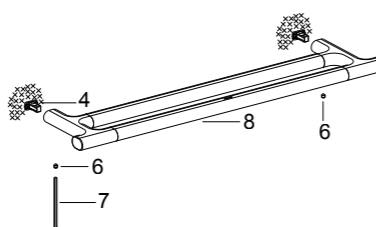


How To Install Towel Bar

Slide the post of the towel bar kit(5) onto the bracket(4). Orient the screw hole of the post downward. Tighten the screw(6) with the hex wrench(7) to secure the towel bar kit.

如何安装双毛巾杆

将双毛巾杆组件(8)的连接杆装到底座(4)上, 保持连接杆的螺钉孔向下, 用六角扳手(7)锁紧螺钉(6), 固定双毛巾杆组件。

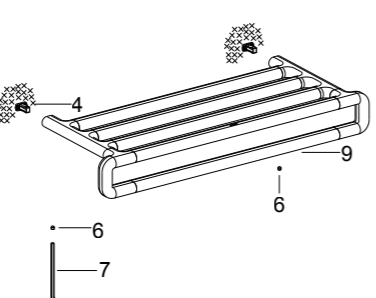


How To Install Double Towel Bar

Slide the post of the double towel bar kit(8) onto the bracket(4). Orient the screw hole of the post downward. Tighten the screw(6) with the hex wrench(7) to secure the double towel bar kit.

如何安装双层浴巾架

将双层浴巾架组件(9)的连接杆装到底座(4)上, 保持双层浴巾架的连接杆的螺钉孔向下, 用六角扳手(7)锁紧螺钉(6), 固定双浴巾架组件。

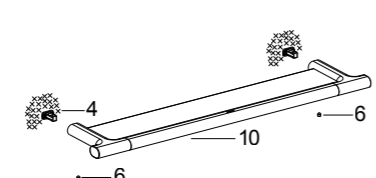


How To Install Double Towel Shelf

Slide the post of the double towel shelf kit(9) onto the bracket(4). Orient the screw hole of the post of the double towel shelf downward. Tighten the screw(6) with the hex wrench(7) to secure the double towel shelf kit.

如何安置物架

将置物架组件(10)的连接杆装到底座(4)上, 保持置物架组件连接杆的螺钉孔向下, 用六角扳手(7)锁紧螺钉(6), 固定置物架组件。

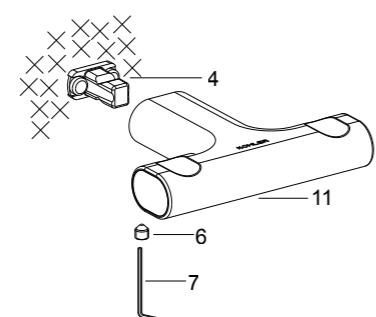


How To Install Glass Shelf

Slide the post of the glass shelf kit(10) onto the bracket(4). Orient the screw hole of the post of the glass shelf downward. Tighten the screw(6) with the hex wrench(7) to secure the glass shelf kit.

如何安装双衣钩

将双衣钩组件(11)的连接杆装到底座(4)上, 保持双衣钩组件连接杆的螺钉孔向下, 用六角扳手(7)锁紧螺钉(6), 固定双衣钩组件。

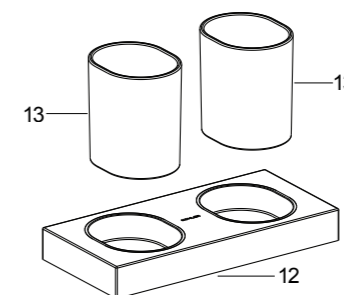


How To Install Double Robe Hook

Slide the post of the double robe hook kit(11) onto the bracket(4). Orient the screw hole of the post of the double robe hook downward. Tighten the screw(6) with the hex wrench(7) to secure the double robe hook kit.

如何安装漱口杯架

在水平面上找一合适的位置放置漱口杯组件(12), 将漱口杯(13)装入漱口杯组件的塑料托架中。使用时取下漱口杯(13), 使用后将漱口杯装回到塑料托架中。



漱口杯架可以放置在任意水平面上。

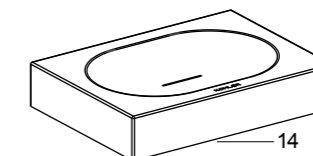
How To Install Tooth Brush & Tumbler Holder

Select a location on the level surface to put the tooth brush & tumbler holder kit(12). Slide the tumbler(13) onto the plastic insert of tooth brush & tumbler kit. If needed, remove the tumbler from the tumbler holder, then reinstall the tumbler.

You can put tooth brush & tumbler holder anywhere level surface you like.

如何安装皂盘

在水平面上找一合适的位置放置皂盘组件(14)。



皂盘可以放置在任意水平面上。

How To Install Soap Dish

Select a location on the level surface to put the soap dish kit(14).

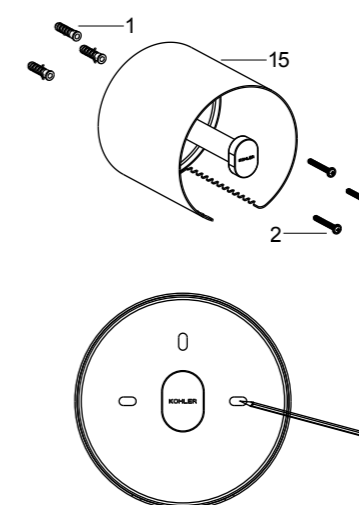
You can put soap dish anywhere level surface you like.

如何安装带盖板的卫生纸架

在垂直面的墙壁上, 选择一个合适的位置用于安装带盖板的卫生纸架组件(15)。

如图所示, 在墙壁上标记胀塞(1)安装孔位置, 确保卫生纸架组件(15)的纸巾筒带齿的部分朝下。根据胀塞直径钻孔。

将胀塞(1)塞入孔中, 用自攻钉(2)固定卫生纸架组件(15), 确保卫生纸架组件(15)的纸巾筒带齿的部分朝下。



How To Install Covered Toilet Paper Holder

Select a location on the vertical wall to install the covered toilet paper holder kit(15).

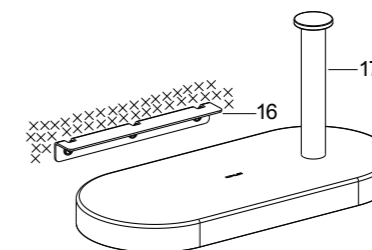
Mark anchor(1) mounting hole locations on wall as shown, ensure the cover with tooth structure of the toilet paper holder kit(15) towards downward. Drill holes in the finished wall as required.

Press the anchor(1) into the holes. ensure the cover with tooth structure of the toilet paper holder kit(15) towards downward, secure the covered toilet paper holder kit(15) with the self-tapping screws(2).

如何安装卫生纸架(垂直型)

将固定底座(16)的自攻钉拧松, 将底座(16)从墙面上取下。

将纸巾架组件(17)通过背面的孔安装到自攻钉上, 然后将底座(16)从纸巾架组件(17)的底面用力往上推, 使底座卡入自攻钉内, 拧紧自攻钉, 固定卫生纸架组件。

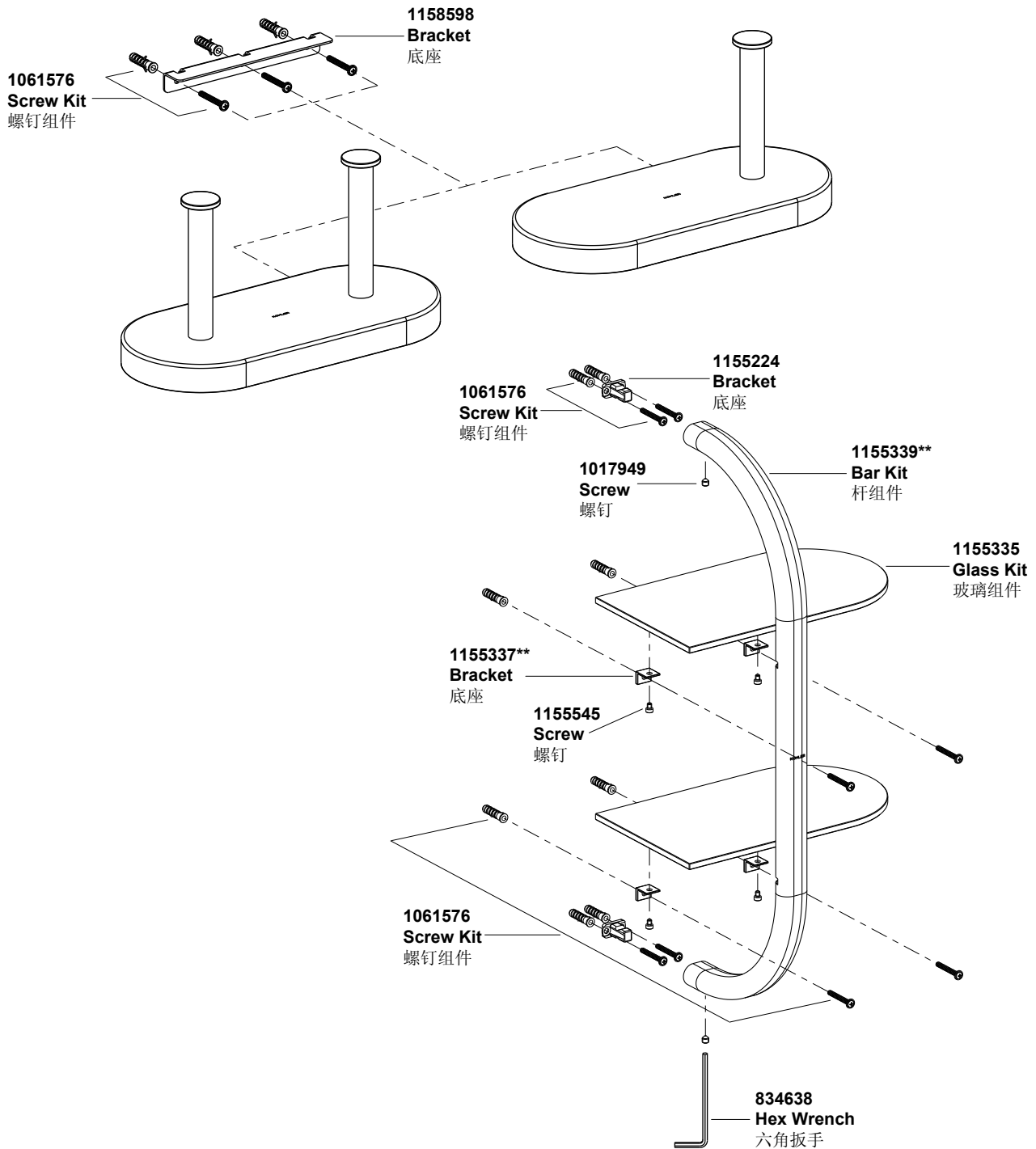


How To Install Toilet Tissue Holder (Vertical)

Loosen the self-tapping screw on the bracket(16), remove the bracket(16) from the wall.

Slide the toilet tissue holder kit(17) onto the self-tapping screw, then slide the bracket(16) onto the self-tapping screw from the bottom of toilet tissue holder kit(17). Tighten the self-tapping screw with to secure the toilet tissue holder kit.

- 37298T 双层角蓝
- 37299T 卫生纸架 (垂直型)
- 37300T 双卫生纸架 (垂直型)



**订购时请说明颜色编号

**Color code must be specified when ordering