

**37341-4 1-WAY BIB TAP**  
**37342-4 2-WAY BIB TAP**

### BEFORE YOU BEGIN

All information is based on the latest product information available at the time of publication. Kohler Co. reserves the right to make changes in product characteristics, packaging, or availability at any time without notice.

Please leave these instructions for the consumer. They contain important information.

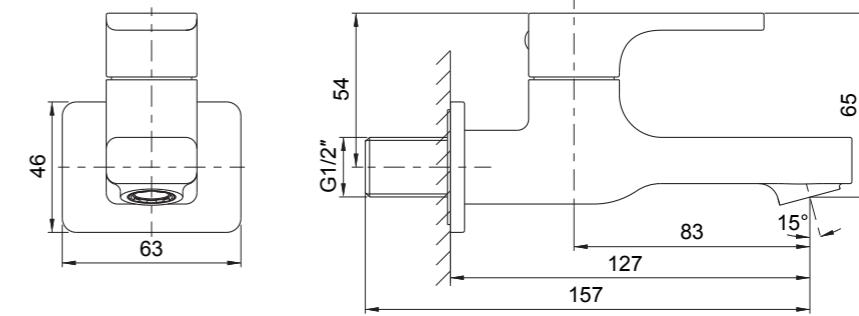
#### NOTES:

1. Flush the water supply pipes thoroughly to remove debris.
2. Shut off the water supplies to the fitting.
3. Observe all local plumbing and building codes.

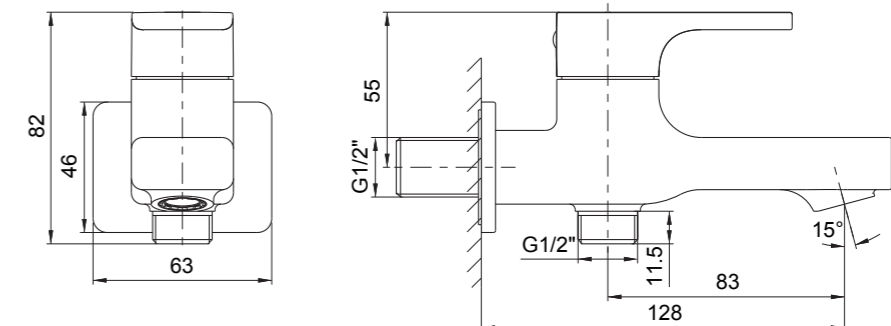
### HANDLE OPERATION

For 37341-4, handle opens counter-clockwise and closes clockwise.  
 For 37342-4, turn the handle left, the spout works; turn the handle right, the connector works.

### ROUGH-IN DIMENSIONS



**37341-4**



**37342-4**

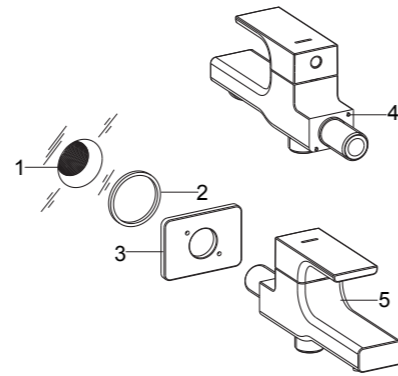
## INSTALLATION

### How To Install The Bib Tap

To perform installation, installer must provide G1/2" female supply fitting(1).

**NOTE:** The supply fitting should be not beyond, but below the finished wall less than 20mm, and be vertical with finished wall as well.

Put the washer(2) into the groove on the bottom of the escutcheon(3). Aligning the pin holes on the escutcheon with the pins(4) on the bottom of the spout kit(5), and slide the escutcheon onto the spout kit. Apply tape or thread sealant to G1/2" nipple threads of the spout kit. Tighten the spout kit to the G1/2" female supply fitting. Adjust the spout downwards.

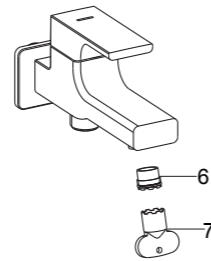


## INSTALLATION CHECKOUT

Ensure that all connections are tight. Ensure that the handle is in the off position.

Turn on the drain and main water supply, and check for leaks. Repair as needed.

Remove the aerator(6) with the key(7). Turn on the handle. Run the water through the spout for about one minute to remove any debris. Check for leaks. Shut off the handle. Reinstall the aerator.



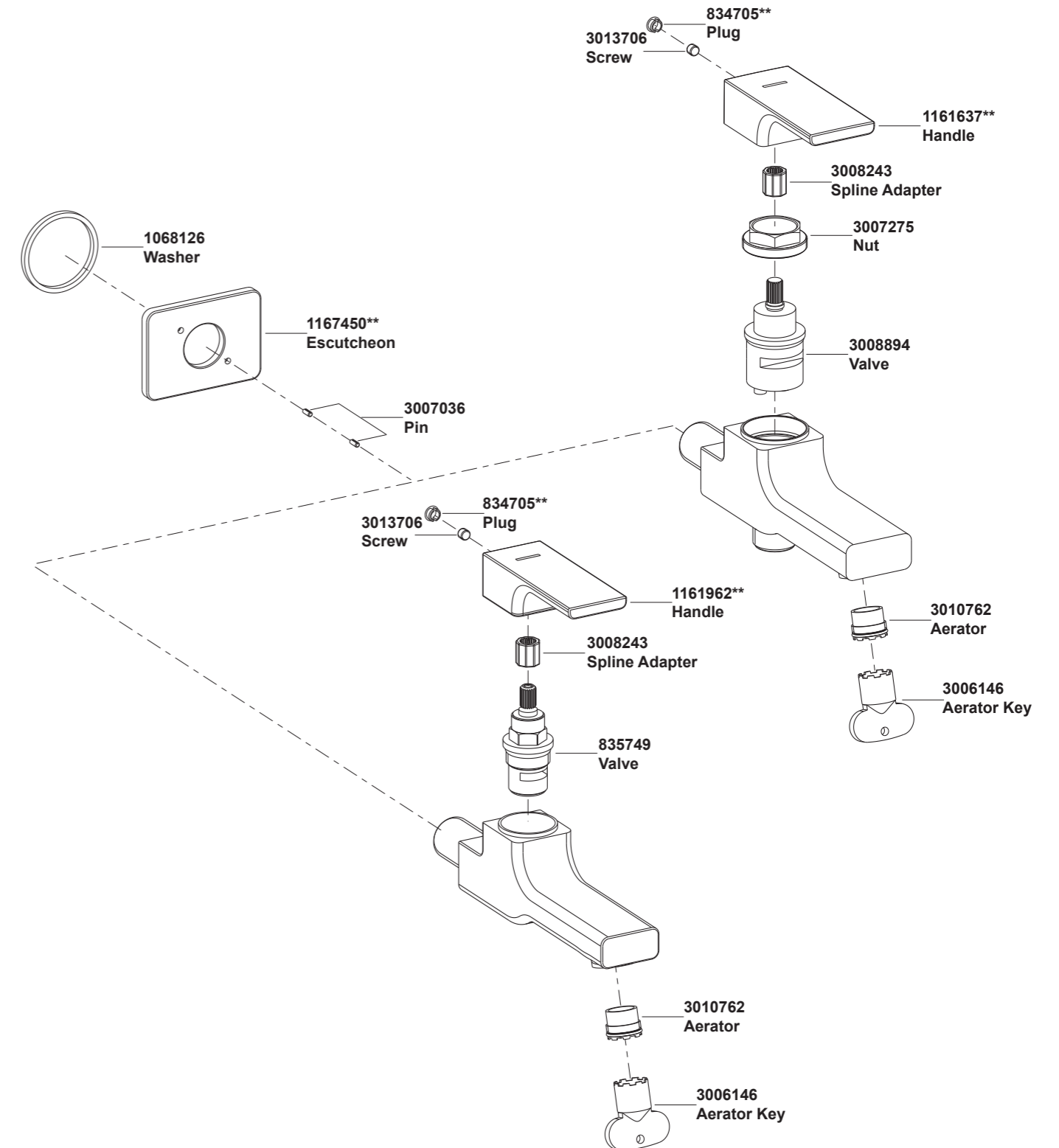
## CLEANING INSTRUCTIONS

All Finishes: Clean the finish with mild soap and warm water. Wipe entire surface completely dry with clean soft cloth. Many cleaners may contain chemicals, such as ammonia, chlorine, toilet cleaner etc. which could adversely affect the finish and are not recommended for cleaning.

Do not use abrasive cleaners or solvents on Kohler faucets and fittings.

37341-4 1-WAY BIB TAP

37342-4 2-WAY BIB TAP



\*\*Color code must be specified when ordering