

KOHLER®

INSTALLATION INSTRUCTIONS

安装说明书

斯嘉

STRAYT

Bath Spout

37343T 37344T 浴缸出水嘴

安装之前

所有的资料是按最新出版的产品资料编写而成。科勒公司保留任何时候不经通知即可改变产品特性、包装或产品可供类型的权利。

说明书包括重要的安装、保养及清洁方面的内容，请把这些资料交给用户阅读。

注意事项：

1. 一定要先彻底冲洗供水管以清除管道中的杂质。
2. 切断供水管路。
3. 遵守所有当地管路安装及建筑条例。
4. 切换器正常工作的最小压力为0.05Mpa(0.5bar)。
5. 出水口最大工作压力为0.5Mpa(5bars)。

BEFORE YOU BEGIN

All information is based on the latest product information available at the time of publication. Kohler Co. reserves the right to make changes in product characteristics, packaging, or availability at any time without notice.

Please leave these instructions for the consumer. They contain important information.

NOTES:

1. Flush the water supply pipes thoroughly to remove debris.
2. Shut off the water supplies to the fitting.
3. Observe all local plumbing and building codes.
4. The minimum inlet water pressure for the diverter is 0.05Mpa(0.5bar).
5. Maximum working pressure for spout: 0.5Mpa(5bars).

使用说明

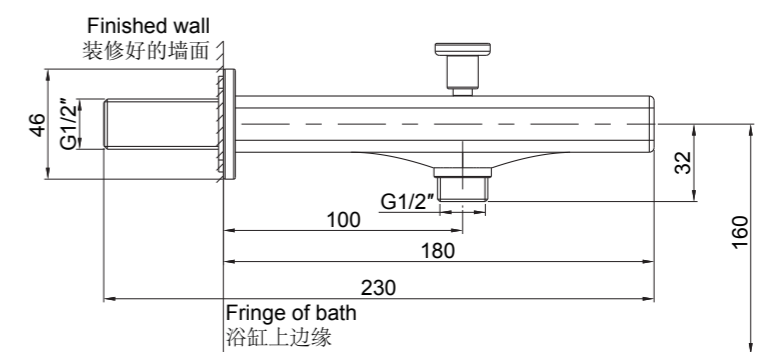
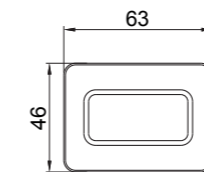
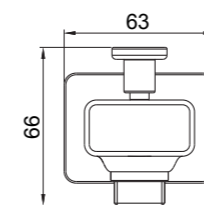
对于37343T，打开龙头，浴缸出水口出水；将切换器轻轻提起，花洒出水。

OPERATION INSTRUCTION

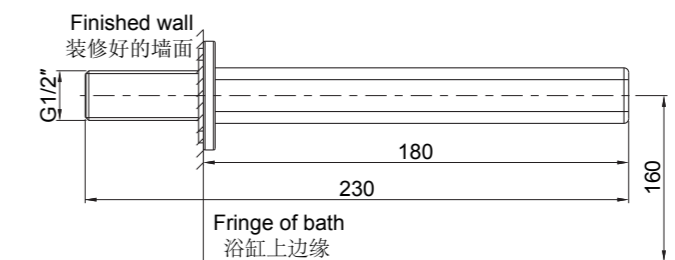
For 37343T, open the faucet, bath spout works; lift the diverter gently, shower works.

安装尺寸

ROUGH-IN DIMENSIONS



37343T



37344T

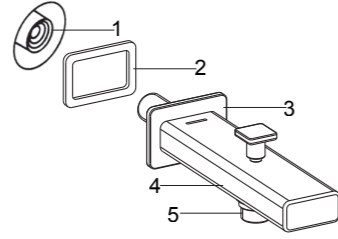
安装步骤

为使安装顺利，G1/2"内螺纹管道配件(1)应已装好。

注意：管道配件要垂直并不能突出装修好的墙面，但低于墙面不能超过60毫米。

将垫片(2)嵌入装饰盖(3)底部凹槽。在出水口组件(4)的G1/2"螺纹上缠绕足以密封的密封胶带或涂适合的密封胶。安装出水口组件，用带状扳手将出水口拧紧，调整出水口方向使其向下。去除多余油灰。

接头(5，仅对于37343T)用于接花洒。



INSTALLATION

To perform installation, installer must provide G1/2" female supply fitting(1), keep proper position in the wall.

NOTE: The supply fitting should be not beyond, but below the finished wall less than 60mm, and be vertical with finished wall as well.

Put the washer(2) into the groove on the bottom of the escutcheon(3). Apply tape or thread sealant to G1/2" nipple threads of the spout kit(4). Thread the spout kit to the G1/2" nipple. Tighten by a strap wrench. Adjust the spout downwards.

The connector(5, only for 37343) will be used to connect handspray.

安装结果检查

检查并确保所有衔接处都已拧紧。

打开排水系统和主水源，检查并修理有漏水的接口。

用冷热水冲洗出水口一分钟以清除杂质。关闭水源。

INSTALLATION CHECKOUT

Ensure that all connections are tightened.

Open the drain. Turn on the main water supply and check for leaks. Repair as required.

Run the hot and cold water through the spout for about one minute to remove any debris. Shut off water supply.

清洗说明

适用于所有加工处理过的表面：以中性肥皂水清洗镀层表面，再以干净的软布彻底擦干整个表面，许多清洁剂，比如氨水、去污粉及洁厕灵等，会对电镀表面造成伤害，切忌使用。

有磨损性的清洁用具或清洁剂也不可适用于科勒牌的水龙头及其配件上。

CLEANING INSTRUCTIONS

All Finishes: Clean the finish with mild soap and warm water. Wipe entire surface completely dry with clean soft cloth. Many cleaners may contain chemicals, such as ammonia, chlorine, toilet cleaner etc. which could adversely affect the finish and are not recommended for cleaning.

Do not use abrasive cleaners or solvents on Kohler faucets and fittings.

KOHLER®

SERVICE PARTS

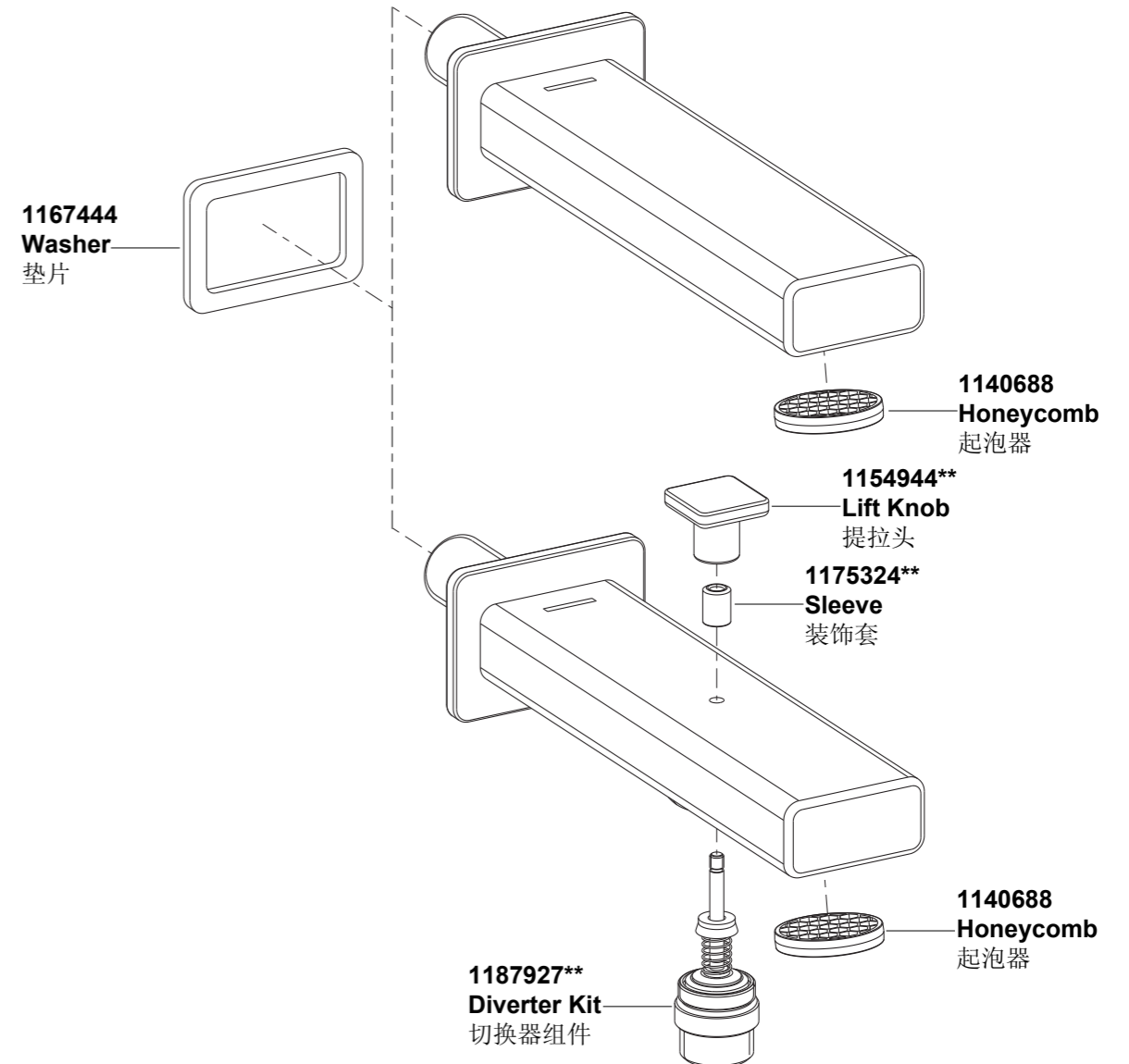
零件图

斯磊

STRAYT

Bath Spout

37343T 37344T 浴缸出水嘴



**订购时请说明颜色编号

**Color code must be specified when ordering