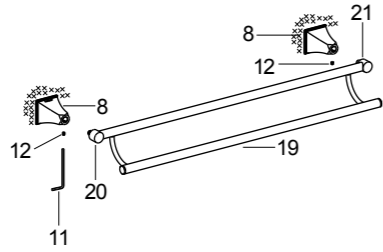


## 如何安装双层毛巾杆

将双层毛巾杆组件(19)中的圆柱头(20, 21)装入底座(8)内, 保持圆柱头上带定位槽的面朝下放置, 用六角扳手(11)将螺钉(12)拧入到底座内固定双层浴巾架组件。



## How To Install Double Towel Bar

Slide the shaft of the cylinder head (20, 21) of the double towel bar kit(19) into the bonnet(8), orient the cylinder head with the detent facing downward. Tighten the screw(12) into the bonnet with the hex wrench(11) to secure the double towel bar kit.

## 安装结果检查

检查并确保所有连接处已锁紧。

检查并确保所有六角螺钉垂直向下。

## INSTALLATION CHECKOUT

Ensure that all connections are tightened.

Ensure all setscrews face straight down.

## 清洗说明

适用于所有加工处理过的表面: 以中性肥皂水清洗镀层表面, 再以干净的软布彻底擦干整个表面, 许多清洁剂, 比如氨水、去污粉及洁厕灵等, 会对电镀表面造成伤害, 切忌使用。

有磨损性的清洁用具或清洁剂也不可适用于科勒牌的水龙头及其配件上。

## CLEANING INSTRUCTIONS

All Finishes: Clean the finish with mild soap and warm water. Wipe entire surface completely dry with a clean soft cloth. Many cleaners may contain chemicals, such as ammonia, chlorine, toilet cleaner etc. Which could adversely affect the finish and are not recommended for cleaning.

Do not use abrasive cleaners or solvents on Kohler faucets and fittings.

# KOHLER®

## ACCESSORY INSTALLATION INSTRUCTIONS

### 浴室配件 安装说明书

梅玛  
**MEMOIRS**  
Accessories

- 37352T 卫生纸架 (带盖板)
- 37353T 24"双层浴巾架
- 37354T 马桶刷架
- 37355T 24"双层毛巾杆

## 安装之前

所有的资料是按最新出版的产品资料编写而成。科勒公司保留任何时候不经通知即可改变产品特性、包装或产品可供类型的权利。

说明书包括重要的安装、保养及清洁方面的内容, 请把这些资料交给用户阅读。

### 注意事项:

本产品为水泥墙面安装或木墙面安装。若安装在其他表面可能影响产品性能。

### 危险警告: (人身伤害)

本产品不能作为扶手等支撑物使用, 请勿将产品安装在可能被误认为扶手等支撑物的位置。

## BEFORE YOU BEGIN

All information is based on the latest product information available at the time of publication. Kohler Co. reserves the right to make changes in product characteristics, packaging, or availability at any time without notice.

Please leave these instructions for the consumer. They contain important information.

### NOTE:

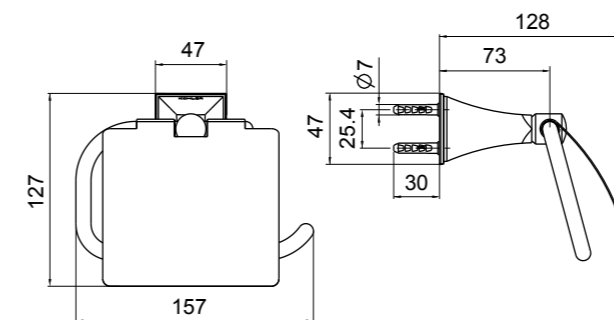
These products should be located and mounted to a wall. While it is possible to mount them to any surface, a stud or concrete mounted product will yield the best results.

### DANGER: ( Risk of personal injury)

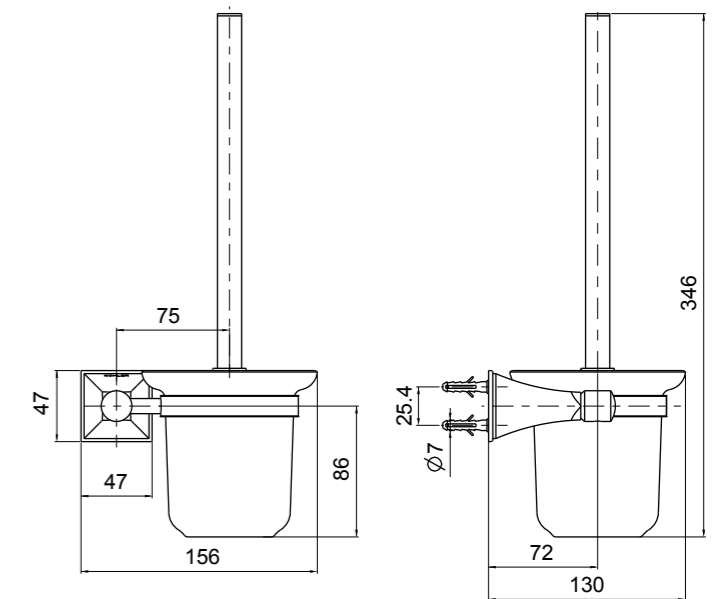
These products are not designed or intended for use as a grab bar or support bar. Do not install any of these products in any area where they are likely to be used inadvertently as a grab bar or support bar.

## 安装尺寸

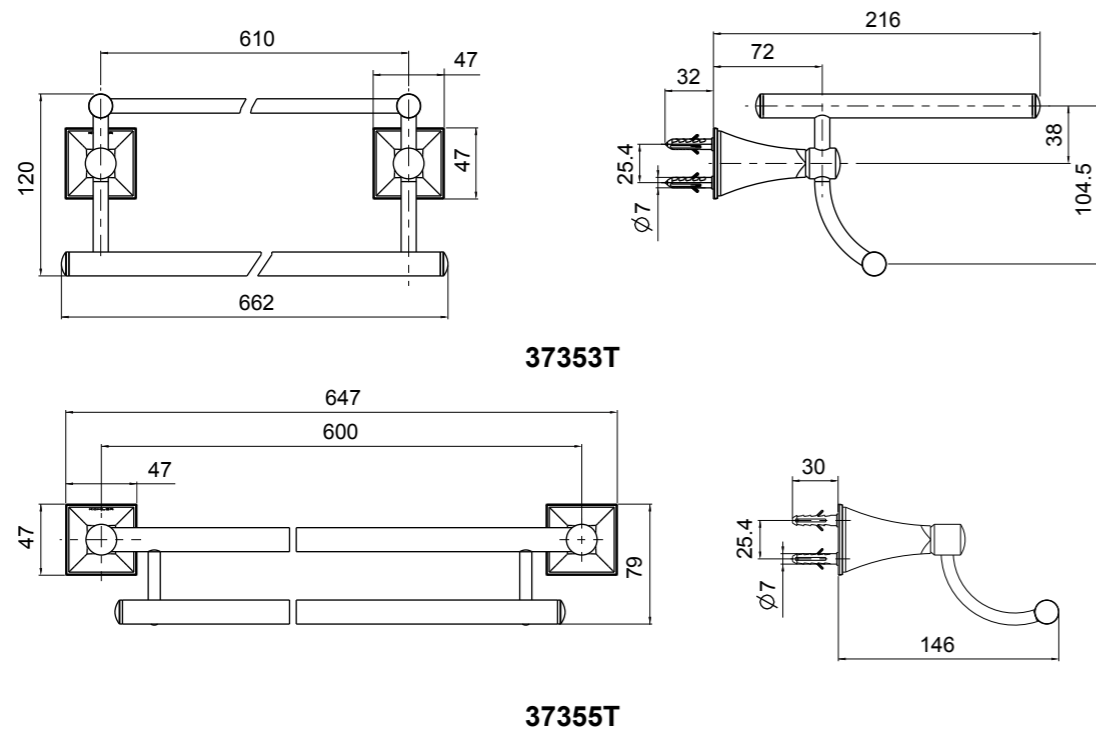
## ROUGH-IN DIMENSIONS



37352T



37354T



## 安装步骤

## INSTALLATION

### 如何安装支架

### How to install the Bracket

#### 仅对于37353T/37355T

#### Only For 37353T/37355T

如图所示，在墙面上找一个合适的位置粘贴模板，确保模板水平，保持圆孔在下。根据胀塞直径钻孔。



Select a proper position on the wall to stick the templet, ensure the templet is level and keep the smaller hole down as shown. Drill holes in the finished wall as required.

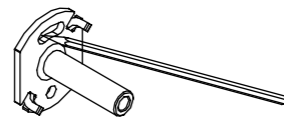
#### 仅对于37352T/37354T

#### Only For 37352T/37354T

在垂直面的墙壁，选择一个合适的位置安装支架。

Select a location on the vertical wall to install the bracket.

如图所示，在墙壁上标记胀塞(1)安装孔位置，确保底座(2)大安装孔在上，小安装孔在下，两螺钉孔铅锤。根据胀塞直径钻孔。

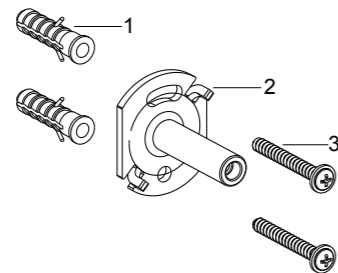


Mark anchor(1) mounting hole locations on wall as shown, ensure the large slotted mounting hole of the plate(2) up, the smaller hole of the plate down and two screw holes are vertical. Drill holes in the finished wall as required.

#### 对于所有产品

#### For All Products

将胀塞(1)塞入孔中，用自攻钉(3)固定底座(2)，保持底座大安装孔在上，小安装孔在下，两螺钉孔铅锤。



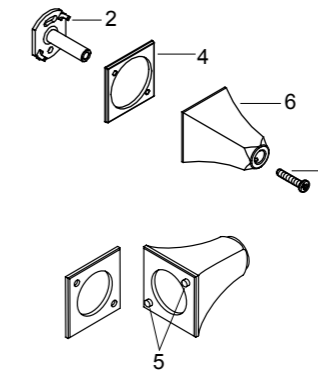
Press the anchor(1) into the holes. Orienting the large slotted mounting hole of the plate up, the smaller hole of the plate down and two screw holes are vertical, secure the plate(2) with the self-tapping screws(3).

### 如何安装底座

将装饰盖(4)和底座(6)通过销子(5)连接。

将装好的底座装在支架(2)上，确保装有固定螺钉的面朝下放置。确保销子(5)与装饰盖上的孔正确啮合。将螺钉(7)拧入底座内并拧紧。

**注意：**安装时，一定让销子与装饰盖上的孔正确啮合。



### How to Install the Bonnet

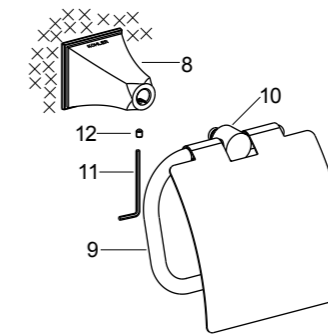
Position the escutcheon(4), if included, onto the bonnet(6).

Slide the bonnet onto the bracket(2). Orient the setscrew hole of the bonnet downward. Make sure the bonnet pins(5) engage the indexing holes in the back of the escutcheon, if applicable. Insert a screw(7) into the bonnet and tighten.

**NOTE:** When installation, make sure the bonnet pins engage into the escutcheon holes.

### 如何安装卫生纸架

将卫生纸架组件(9)中的圆柱头(10)装入底座(8)内，保持圆柱头上带定位槽的面朝下放置，用六角扳手(11)将螺钉(12)拧入到底座内固定卫生纸架组件。

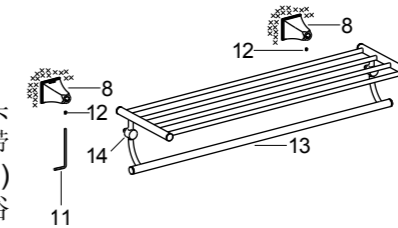


### How To Install Toilet Paper Holder

Slide the shaft of the cylinder head (10) of the toilet paper holder kit(9) into the bonnet(8), orient the cylinder head with the detent facing downward. Tighten the screw(12) into the bonnet with the hex wrench(11) to secure the toilet paper holder kit.

### 如何安装双层浴巾架

将双层浴巾架组件(13)中的圆柱头(14)装入底座(8)内，保持圆柱头上带定位槽的面朝下放置，用六角扳手(11)将螺钉(12)拧入到底座内固定双层浴巾架组件。



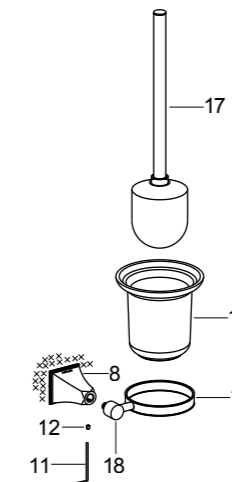
### How To Install Double Towel Shelf

Slide the shaft of the cylinder head (14) of the double towel shelf kit(13) into the bonnet(8), orient the cylinder head with the detent facing downward. Tighten the screw(12) into the bonnet with the hex wrench(11) to secure the double towel shelf kit.

### 如何安装马桶刷架

将马桶刷托架组件(15)中的圆柱头(18)装入底座(8)内，保持圆柱头上带定位槽的面朝下放置，用六角扳手(11)将螺钉(12)拧入到底座内固定马桶刷托架组件。

将刷杯(16)装入到马桶刷托架上，并将马桶刷(17)装入到刷杯中。根据需要，将马桶刷取出使用，然后将马桶刷装入到刷杯中。



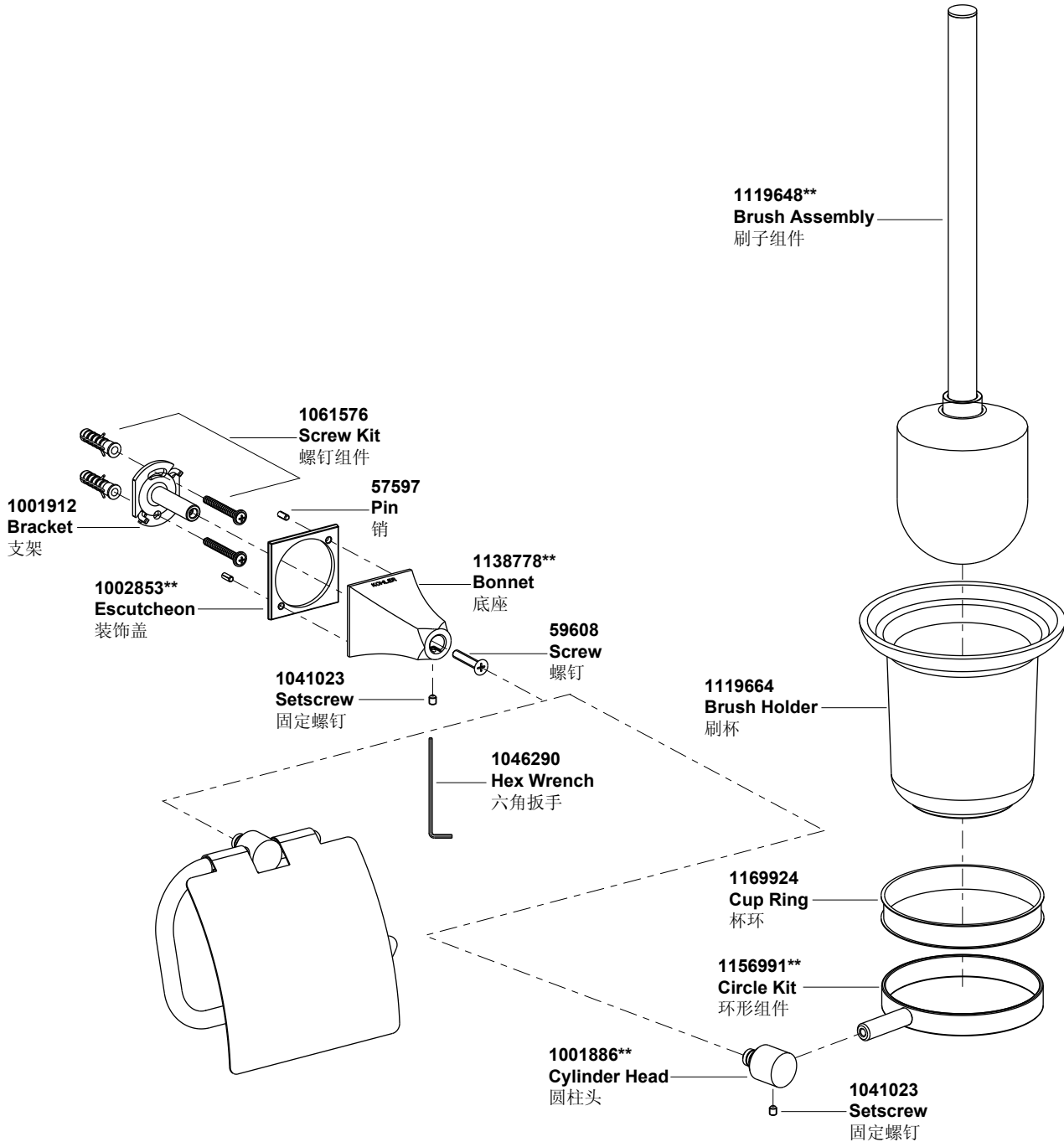
### How To Install The Toilet Brush Holder

Slide the shaft of the cylinder head (15) of the toilet brush holder kit(15) into the bonnet(8), orient the cylinder head with the detent facing downward. Tighten the screw(12) into the bonnet with the hex wrench(11) to secure the toilet brush holder kit.

Slide the glass holder(16) into the toilet brush holder, then slide the brush (17) into the glass holder. If necessary, disassemble brush from the toilet brush holder, then reinstall the brush to the brush holder.

37352T 卫生纸架 (带盖板)

37354T 马桶刷架

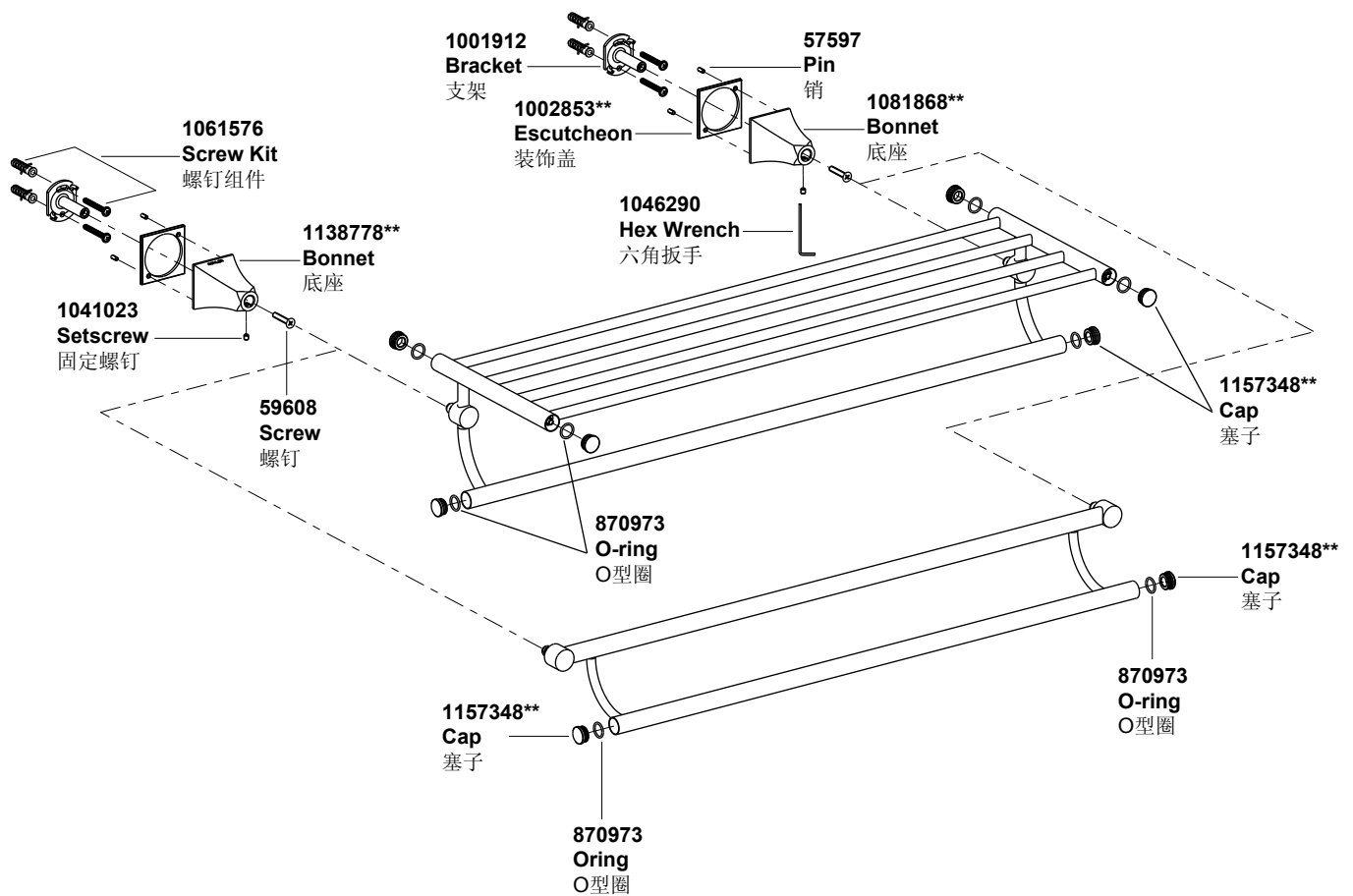


\*\*订购时请说明颜色编号

\*\*Color code must be specified when ordering

37353T 24"双层浴巾架

37355T 24"双层毛巾杆



\*\*订购时请说明颜色编号

\*\*Color code must be specified when ordering