

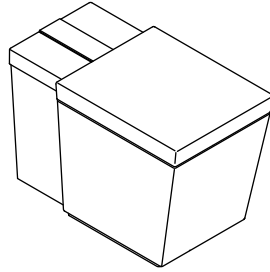
Installation Guide

安装说明

Numi Intelligent Toilet

纽密一体超感座便器

K-3900T-2



Important Information

NOTE: This product is designed for installation with the electrical and water supplies located through either the wall or the floor.

Grounding Instructions

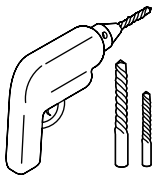
- This product should be grounded. In the event of an electrical short circuit, grounding reduces the risk of electric shock by providing an escape wire for the electric current. This product is equipped with a cord having a grounding wire with a grounding plug. The plug must be plugged into an outlet that is properly installed and grounded.



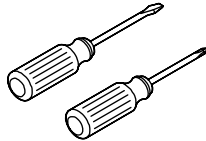
WARNING: Risk of electric shock. Improper use of the grounding plug can result in a risk of electric shock.

- If repair or replacement of the cord or plug is necessary, do not connect the grounding wire to either flat blade terminal. The wire with insulation having an outer surface that is green with or without yellow stripes is the grounding wire.
- Check with a qualified electrician or service personnel if the grounding instructions are not completely understood, or if in doubt as to whether the product is properly grounded.
- This product is factory equipped with a specific electric cord and plug to permit connection to a proper electric circuit. Make sure that the product is connected to an outlet having the same configuration as the plug. No adapter should be used with this product. Do not modify the plug provided — if it will not fit the outlet, have the proper outlet installed by a qualified electrician. If the product must be reconnected for use on a different type of electric circuit, the connection should be made by qualified service personnel.

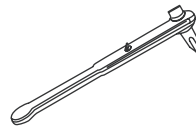
Tools and Materials



Drill with Assorted Bits



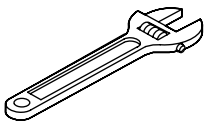
Assorted Screwdrivers



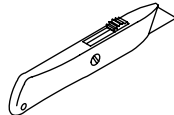
Offset Screwdriver



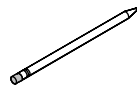
Scissors



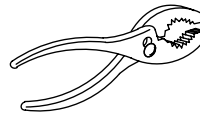
Adjustable Wrench



Knife



Pencil



Pliers

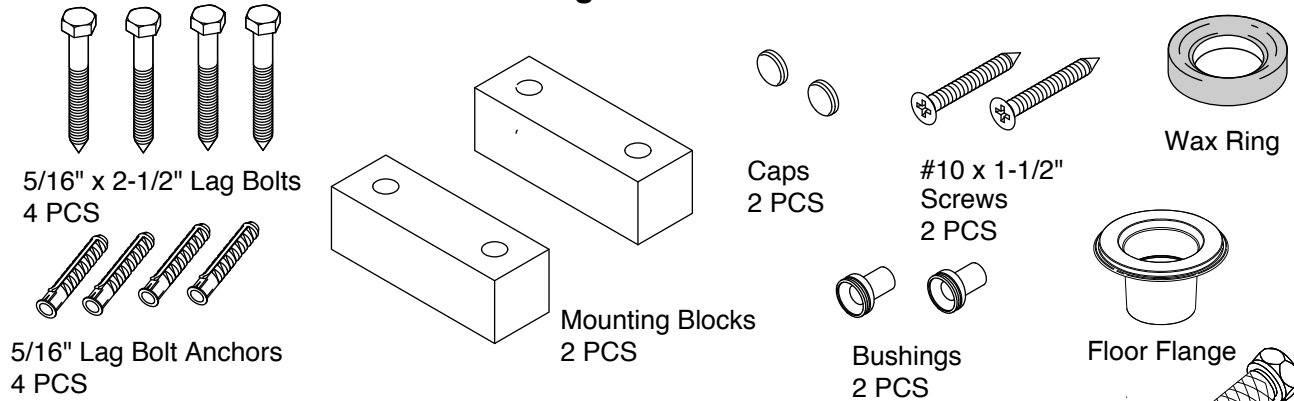


Band Tape

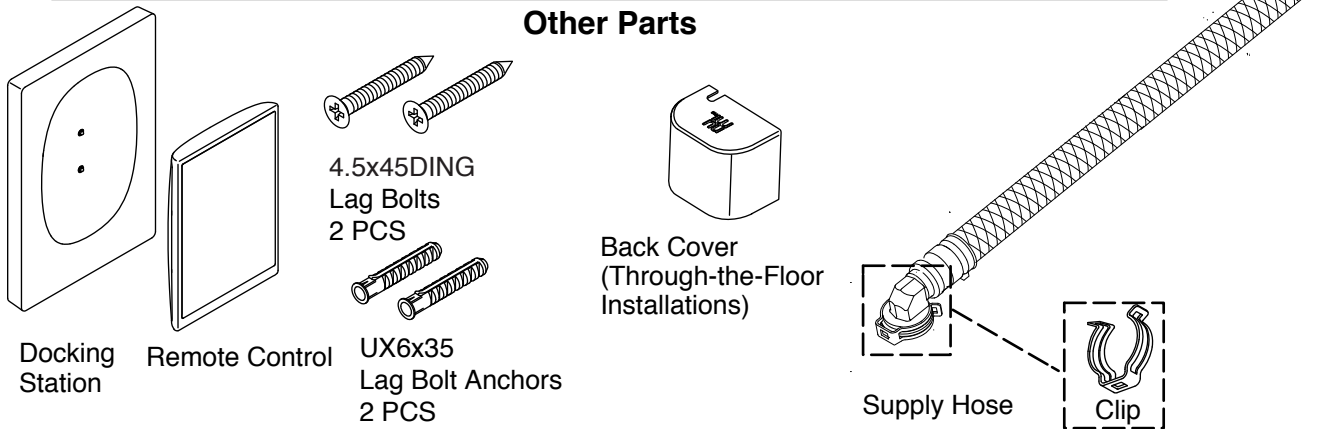
Plus:

- Protective Material
- Tape

Parts Bag Contents



Other Parts



Before You Begin



WARNING: Risk of electric shock. Disconnect power before servicing.



WARNING: Risk of electric shock:

Connect only to a properly-grounded, grounding-type receptacle which is protected by a 220V~, 50Hz, 10A or more Ground-Fault Circuit-Interrupter (GFCI) or Residual Current Device (RCD). Do not remove the grounding pin or use a grounding adapter.



CAUTION: Risk of personal injury. This toilet weighs approximately 121 lbs (55 kg). Lift the toilet with two people, employing proper lifting technique.



NOTE: Risk of personal injury. Do not insert hands into the slot of the battery box.



CAUTION: Risk of hazardous gases. If a new toilet is not installed immediately, temporarily place a rag in the floor flange opening.



CAUTION: Risk of product and property damage. This toilet is not intended to be installed in buildings where temperatures will drop below 1° C. If temperature drops below 0° C, the frozen water in tank could damage the tank resulting in leaking.



CAUTION: Don't use any cement while installing the toilet. Heat expansion of the toilet may damage the feet of the toilet. Kohler will not be responsible for any damage because of using cement.



WARNING: Risk of product damage. Do not throw into the toilet what is easy to block it, such as newspaper, paper pilch, sanitary towel. Do not bump the vitreous china with great force to prevent it from damaging and leaking. Do not use the product in the water below 0 C.

NOTICE: Follow all local plumbing and electrical codes.

Before You Begin (cont.)

- Carefully inspect the new toilet for damage.
- Consult the online users guide at kohler.com for more information.
- Kohler Co. reserves the right to make revisions in the design of products without notice.

Confirm all parts below are included before beginning the installation.

Parts Bag Contents

- 4 5/16" x 2-1/2" Lag Bolts
- 4 5/16" Lag Bolt Anchors
- 2 Mounting Blocks
- 2 Plastic Caps
- 2 #10 x 1-1/2" Screws
- 2 Bushings
- 1 Wax Ring
- 1 Floor Flange

Remote Control Box Contents

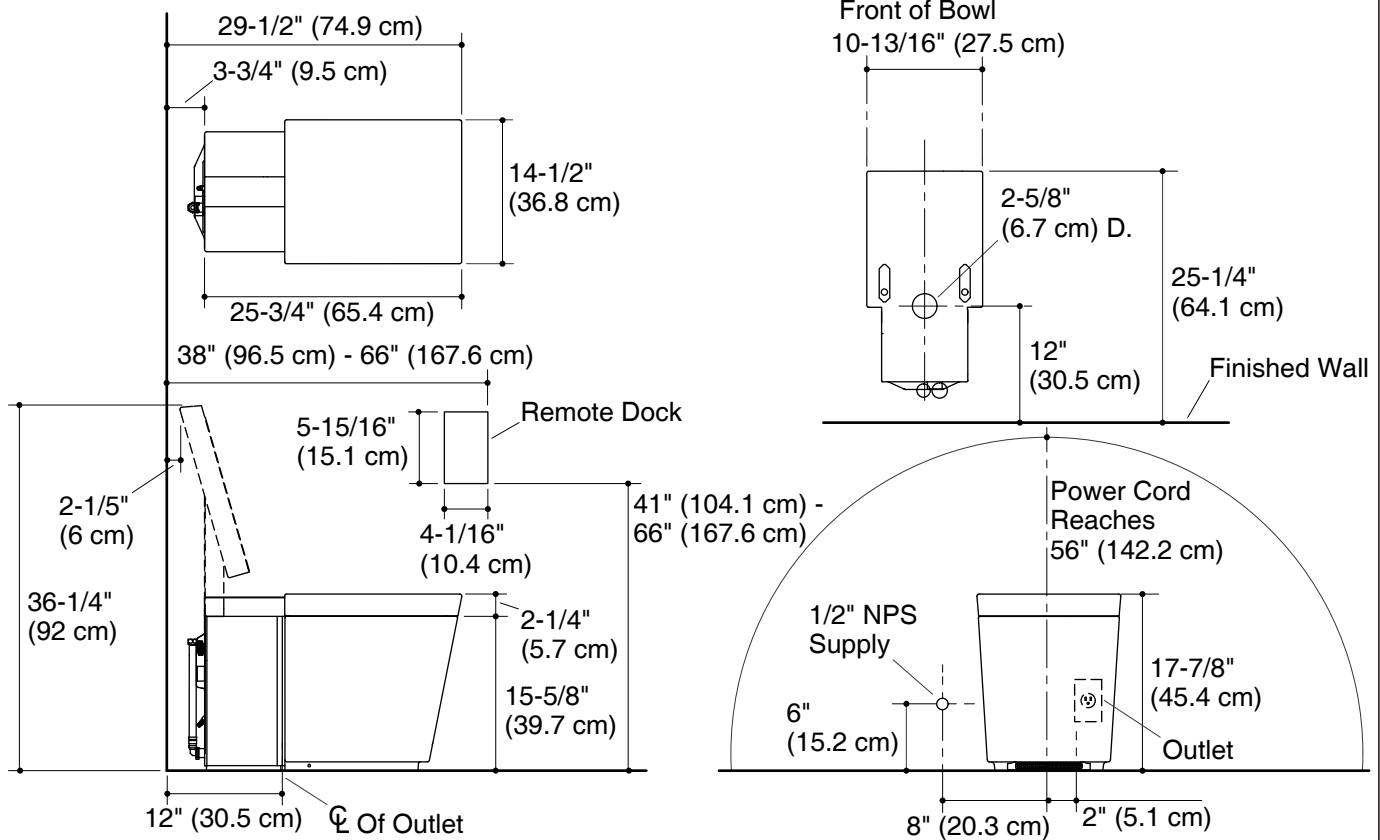
- 1 Docking Station
- 1 Remote Control
- 1 Docking Station Power Cord
- 1 FM Antenna
- 1 AUX In Cord
- 2 UX6x35 Lag Bolt Anchors
- 2 4.5x45DING Lag Bolts

User Guidelines

- Homeowner's Guide
- Installation Guide
- Quick Reference Guide
- Toilet Installation Template

Other Parts

- 1 Supply Hose
- 1 Clip
- Back Cover (used in through-the-floor installations)



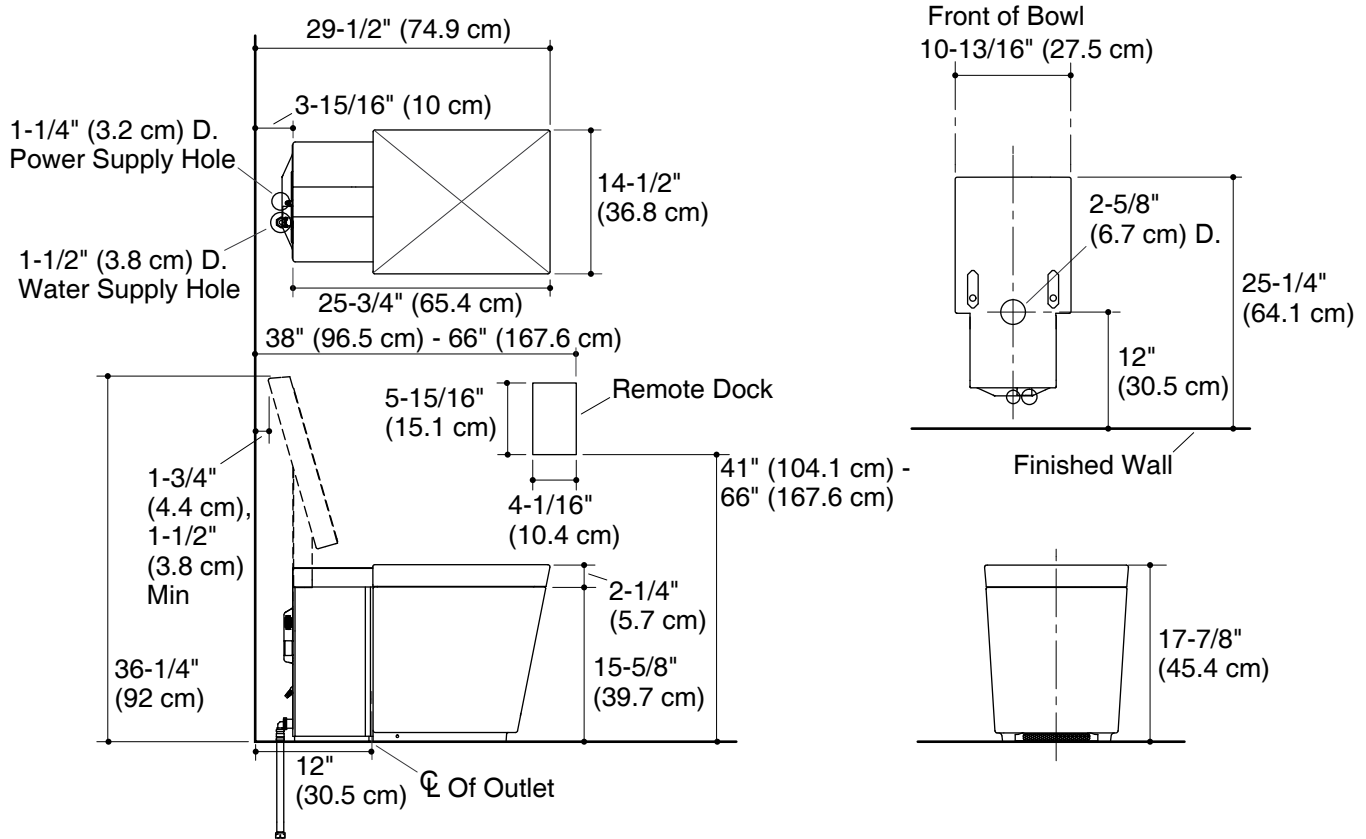
Rough-in - Wall Mount Electrical and Water Supply

NOTICE: The locations for the supply shut-off, electrical outlet, and docking station cord are suggested locations. Make sure all installations adhere to applicable codes and standards.

NOTICE: Locating the supply stop behind the toilet will make it difficult to remove the back panel.

IMPORTANT! Do not install any items behind the toilet that will interfere with the lid when it is raised. All decorative items should be at least 37" (94 cm) high to allow clearance for the seat.

- The remote docking station is equipped with a 16'(5M) power cord.
- The supplied power cord is 56" (142.2 cm) in length. Install the GFCI protected outlet within 56" (142.2 cm) of the toilet location.
- The toilet is equipped with a motion sensor to automatically open the lid when movement is sensed. Sensitivity can be adjusted using the User Interface.
- The toilet is equipped with a motion sensor to automatically open the ring when the light is interrupted. The sensor is located on the right side of the toilet. This sensor has a maximum range of 20cm. Keep this area free of obstructions.
- 1/2" OD compression supply stop outlet is required unless an adapter is used.

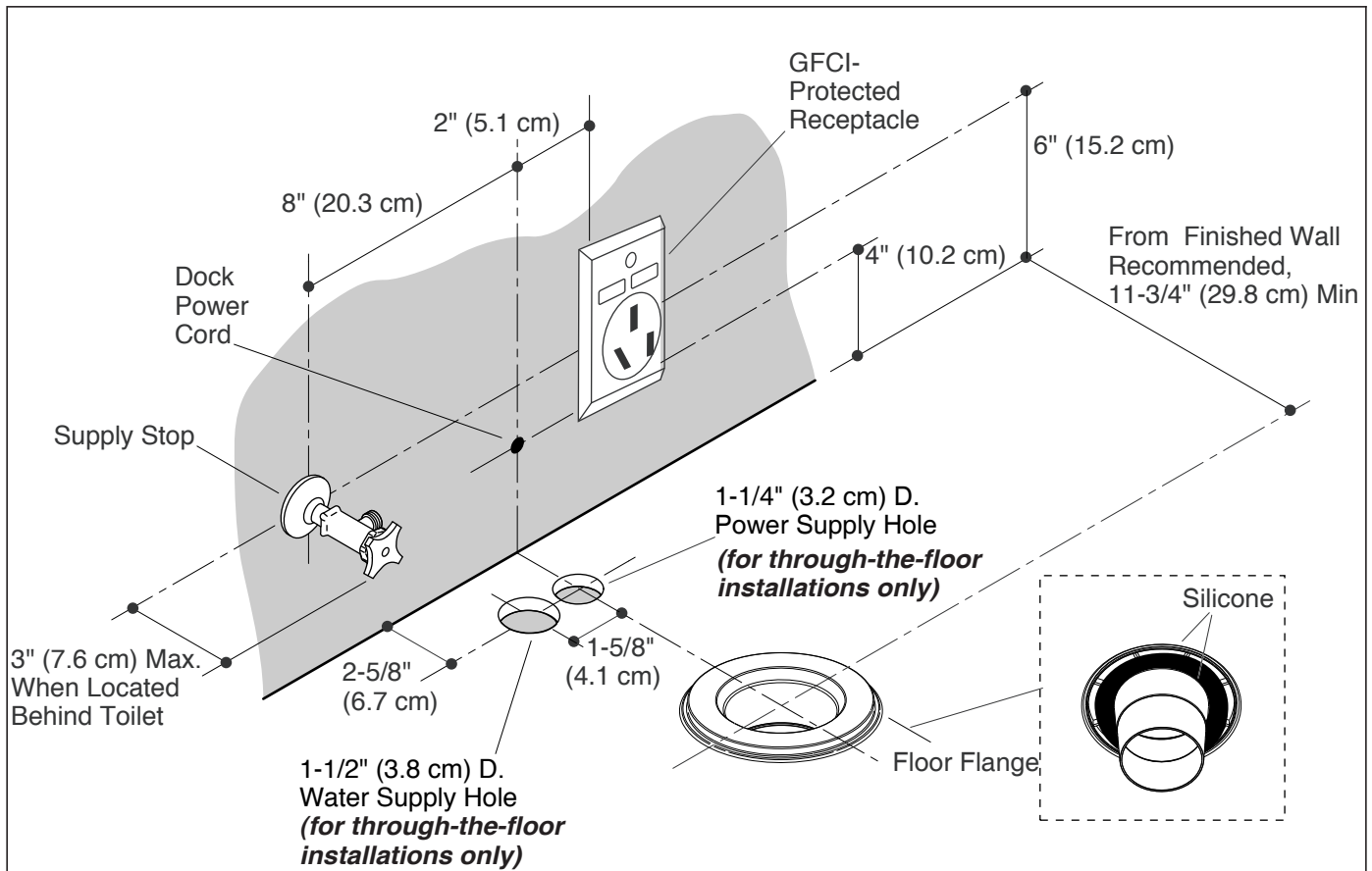


Roughing-in - Through-the-Floor Water and Electrical

NOTICE: The locations for the supply shut-off, electrical outlet, and docking station cord are suggested locations. Make sure all installations adhere to applicable codes and standards.

IMPORTANT! Do not install any items behind the toilet that will interfere with the lid when it is raised. All decorative items should be at least 37" (94 cm) high to allow clearance for the seat.

- The remote docking station is equipped with a 16' (5 m) power cord.
- The supplied power cord is 56" (142 cm) in length.
- The toilet is equipped with a motion sensor to automatically open the seat when movement is sensed. Sensitivity can be adjusted using the User Interface.
- The toilet is equipped with a motion sensor ring actuator, located on the right side of the toilet. This sensor has a maximum range of 20 cm. Keep this area free of obstructions.
- 1/2" OD compression supply stop outlet is required unless an adapter is used.



Prepare the Site



WARNING: Risk of electric shock. Disconnect power before installation or servicing.



WARNING: Risk of electric shock. Connect only to a properly-grounded, grounding-type receptacle which is protected by a 220V~, 50Hz, 10A or more Ground-Fault Circuit-Interrupter (GFCI) or Residual Current Device (RCD). Do not remove the grounding pin or use a grounding adapter.



WARNING: Risk of electrical shock. For hardwire installations/through-floor electrical supply: Connect only to a properly-grounded, dedicated circuit protected by an Class A Ground-Fault Circuit-Interrupter (GFCI) or Residual Current Device (RCD).

NOTE: Locating the supply stop behind the toilet will make it difficult to remove the back panel.

Install the Dock Power Cord

- If the finished wall has not been installed, embed the in-wall cable conduit to route the docking station power cord. (concealed type)
- If the finished wall is installed, use the slot board cable to route the cord to the docking station location. (out-loading type)

Install the Water Supply

IMPORTANT! When installing the supply hose, connect it to the toilet first, then the supply stop.

NOTE: The supplied water supply hose is 18" (46 cm) in length. The supplied hose must be used for this installation.

- Install the water supply and supply stop.
- Flush the water supply line into a pail or other container to remove all debris.

Prepare the Site (cont.)

Install the Electrical Service

NOTE: The supplied power cord is 56" (142 cm) in length.

- Locate a dedicated 220V~, 50Hz, 10A or more grounding-type receptacle, protected by a GFCI or RCD, within 56" (142 cm) of the back of the toilet.

Install External Speaker Wires (optional)

- If external speakers will be used, install the speaker wires at this time with RCA plug installed at line-end (not presented).

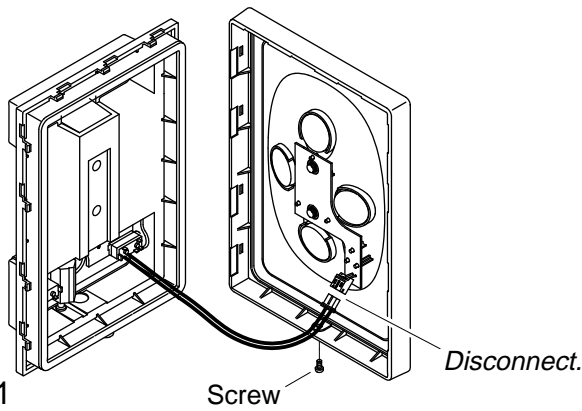


Fig. #1

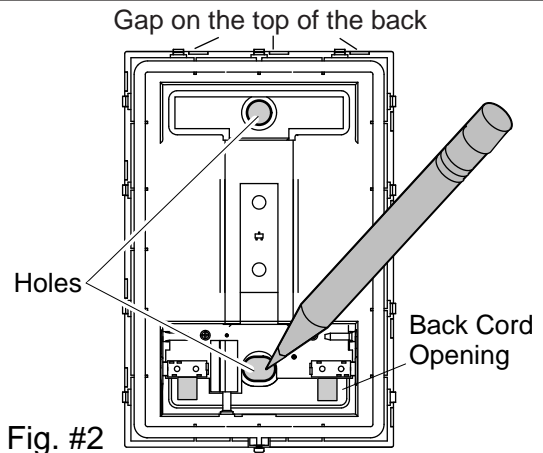


Fig. #2

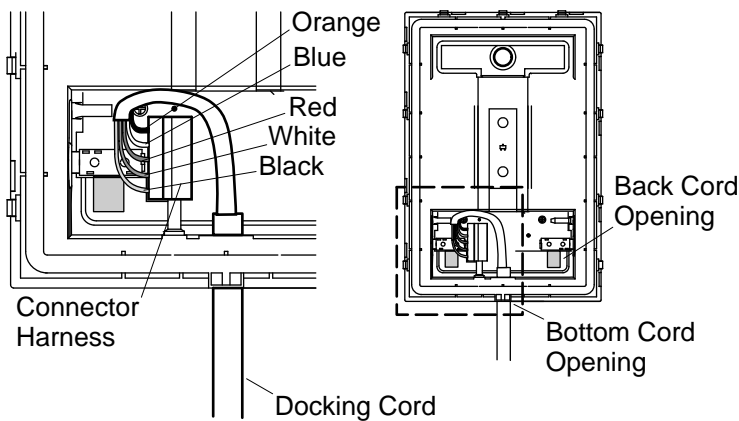


Fig. #3

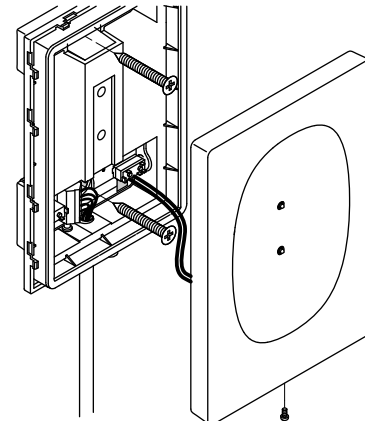


Fig. #4

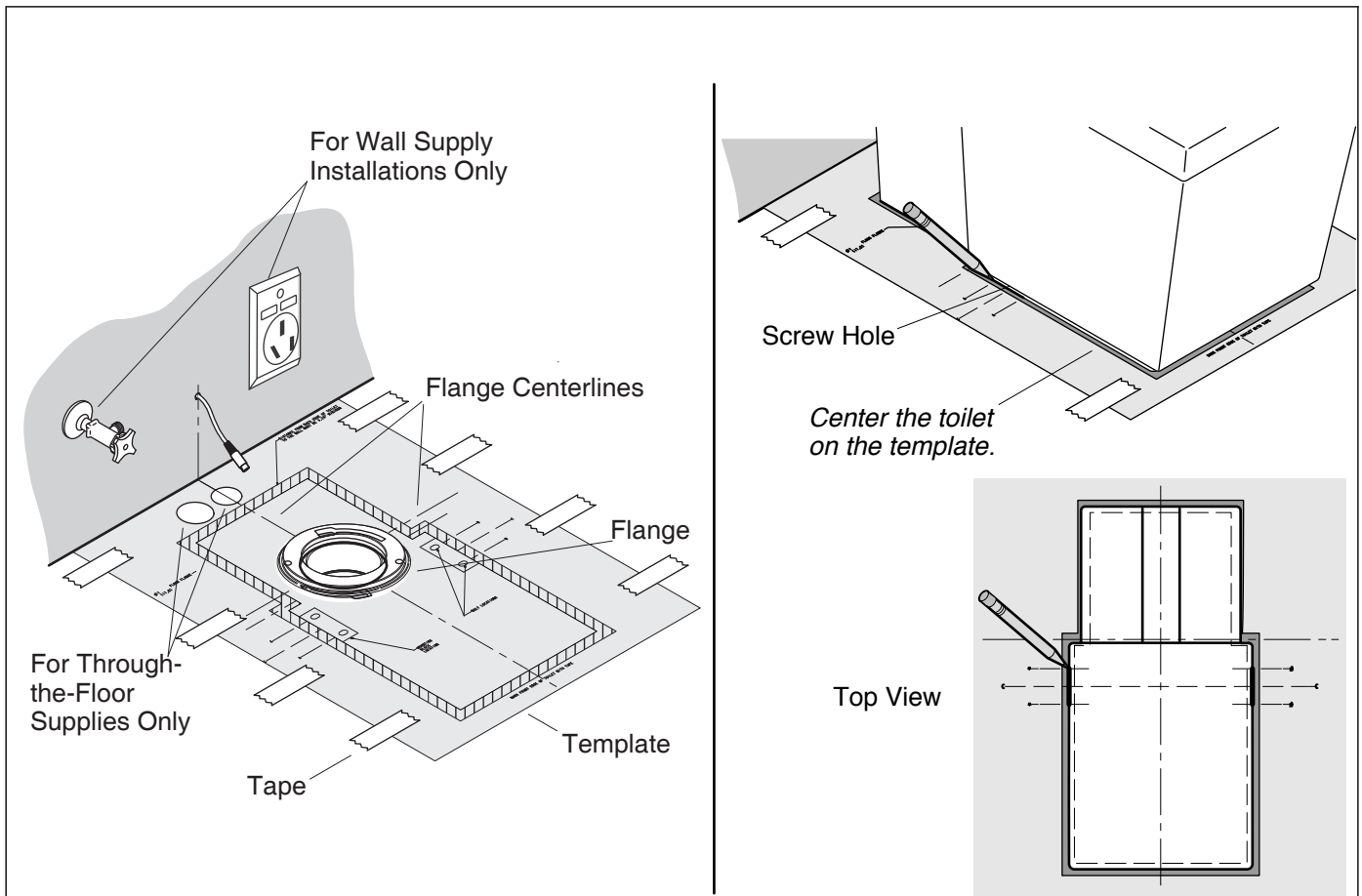
Install the Remote Dock

NOTE: The docking station comes with a 16'(5M) cord. Locate the docking station to allow the docking cord to reach the toilet.

- Unpack the box containing the remote control components.
- Remove the small screw on the bottom of the docking station.
- Carefully remove the cover plate by plug the tool into the gap on the top of the back, gently prying the sides of the cover plate out until they disconnect from the dock. (see Fig. #2)
- Carefully disconnect the cover plate plug.
- Set the cover plate aside.
- For installations using the concealed type, route the power cord through the back cord opening.
- For installations using the out-loading type, route the power cord through the bottom cord opening.
- Position the docking station in the installation position and mark the screw locations using the dock as a template.
- Drill appropriate size mounting holes at the screw mounting locations. The size of the hole will depend on the need for wall anchors, wall material, and installation requirements.
- Loosen each of the five small screws located where the wires will be connected.
- Run the power cord into the docking station through the back cord opening in concealed type or the bottom cord opening in out-loading type.
- Position the docking station over the installation location, connect the docking station to the wall using two screws.
- Cut the tin (about 2mm) of the bare end of the wire.

Install the Remote Dock (cont.)

- Slide the bare end of the wires into the correct port (as shown) according to the color and tighten each screw to secure the wires in place, connect the cover plate plug.
- Snap the cover plate back into place.
- Remove the screw and tape from the cover plate and secure the cover plate with the screw to the docking station.

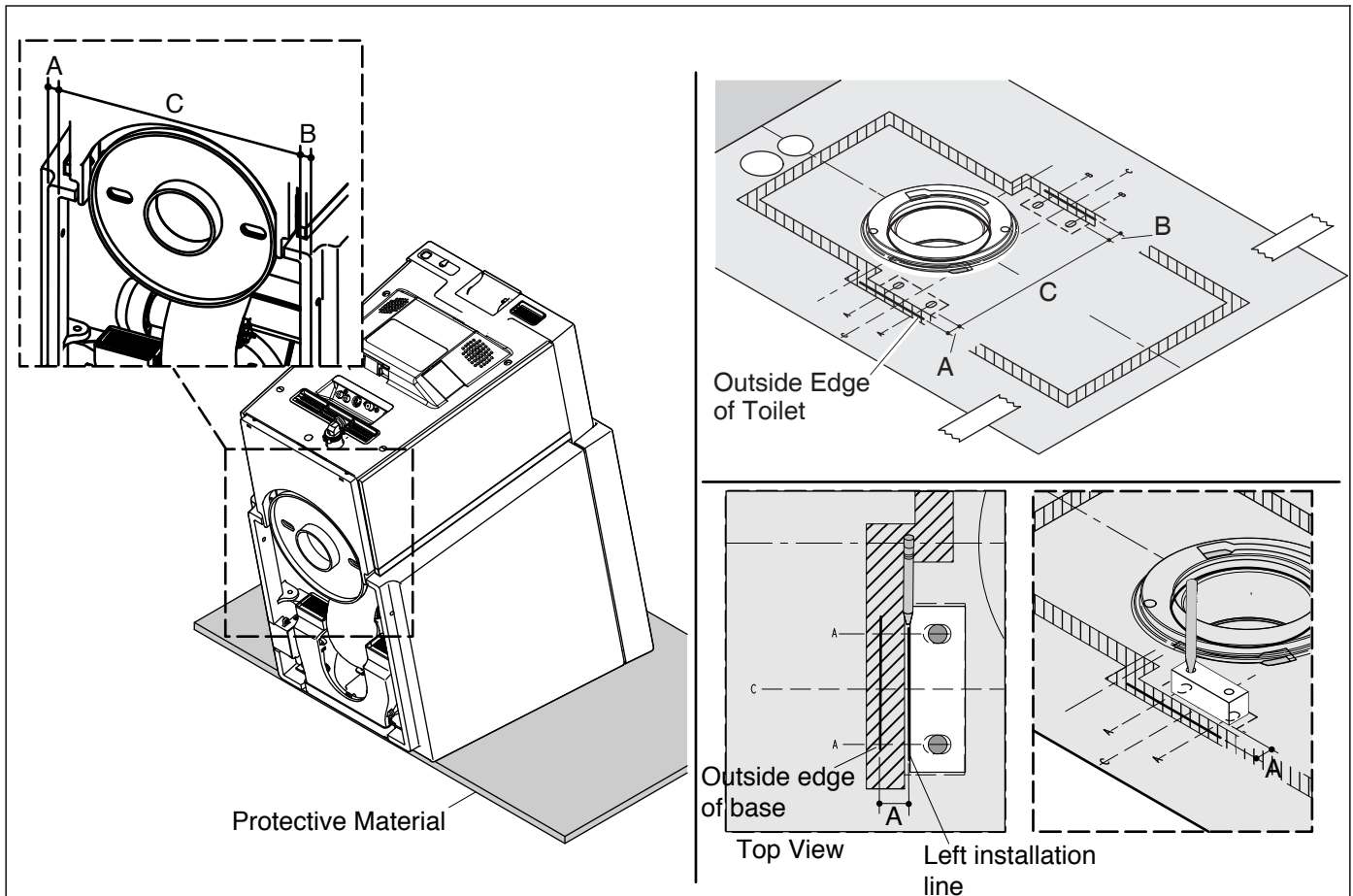


Prepare the Installation Location

IMPORTANT! Risk of product damage. If there are T-bolts extending from the flange, remove them. T-bolts are not required for this installation.

IMPORTANT! Because of the unique design of this toilet, the width of the bottom edges of the toilet will vary. The following steps are required because of this variation.

- Cut out the inside of the flange area on the template along the dotted line.
- Position the template with the hole positioned over the flange. It is critical that the centerlines marked on the template are centered on the flange.
- Secure the template to the floor with tape.
- Confirm the front position of the toilet on the template. Make sure the front of the base of the toilet is aligned with the markings on the template.
- Confirm the left/right position of the toilet left or right so that an equal amount of shaded area is visible on each side of the template.
- Directly under the screw holes on each side of the toilet, accurately mark the bottom edge of the base. The mark should intersect the lines labeled "C" and "A" or "B" on each side of the template.



Determine Mounting Block Location

NOTE: There is a small amount of biodegradable, environmentally safe antifreeze added to the toilet tank to prevent freezing during shipment. When the toilet is tipped forward, a small amount of the antifreeze may run onto the floor. Make sure the floor is protected.

- Position pieces of the box or other protective material on the floor directly in front of the toilet.
- Gently tilt the toilet forward until it rests on the front surface.

NOTE: The installation range of the mounting block is marked on the template. Due to variances in the width of the base, the exact location must be determined by the installer.

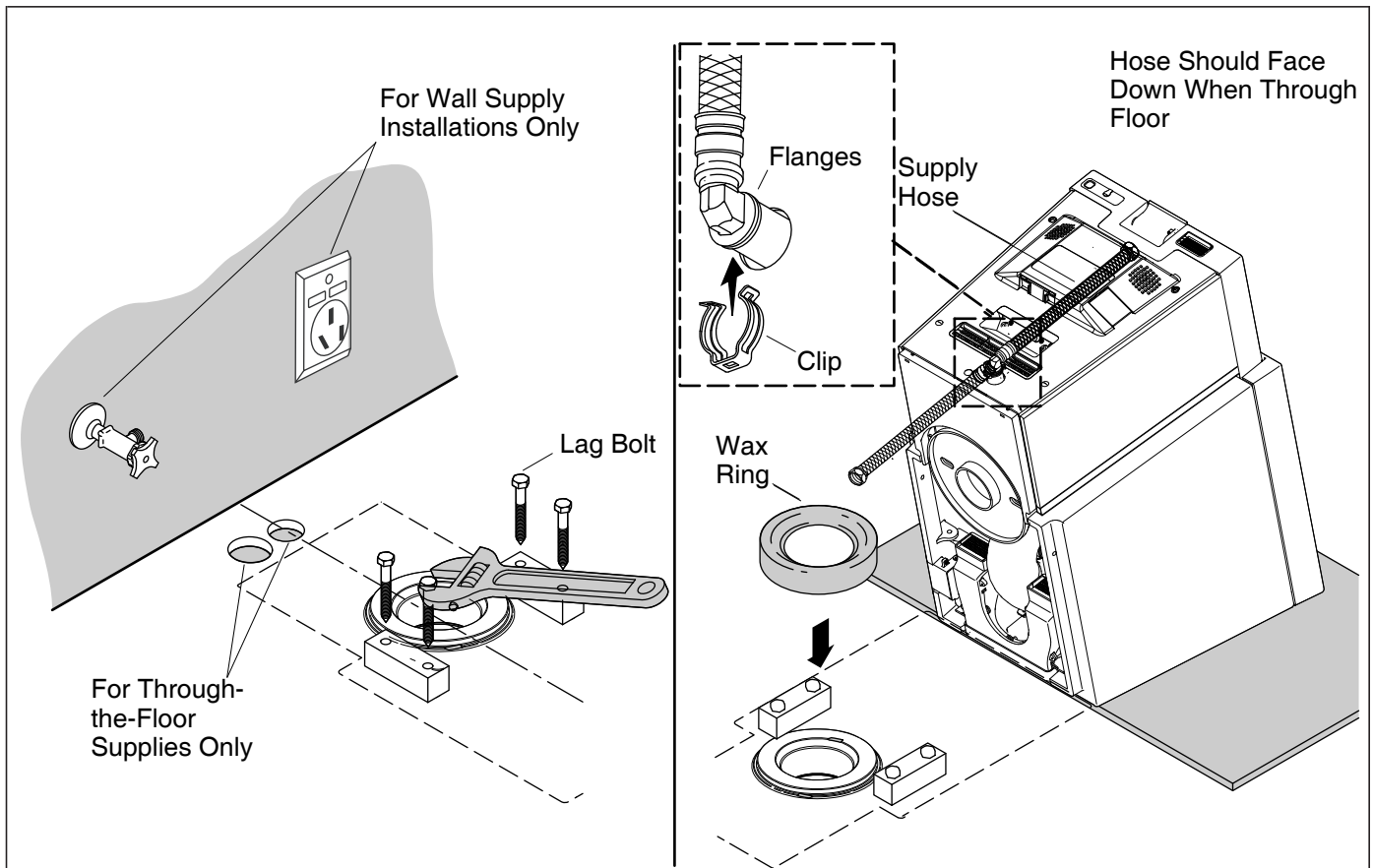
- Measure the width of the base, dimension "A," on the left side of the toilet.
- From the mark indicating the outside edge of the base, measure inward and mark dimension "A" on the template lines marked "A", Draw a line connecting the marks on each of the lines labeled "A".
- Measure the width of the base, dimension "B", on the right side of the toilet.
- From the mark indicating the outside edge of the base, measure inward and mark dimension "B" on the template line marked "B", draw a line connecting the marks on each of the lines labeled "B".

IMPORTANT! Dimension "C" is the distance between the inside edges of the right and left base. The distance between the outside edges of the mounting blocks should be slightly less than dimension "C". The distance between the edge of the outside edge of the mounting block and the inside edge of the base must be 1/16" (2 mm) or less, or the strength of the mounting block will be compromised.

- Measure dimension "C" on the template, starting at the inside line.
- Position a mounting block in the area indicated on the left side of the template. Align the outside edge of the mounting blocks with the inside line. Then move parallel 2mm to the inside.

Determine Mounting Block Location (cont.)

- Insert a pencil into the holes in the mounting blocks and mark the center of the holes after positioning the mounting block.
- Remove the mounting blocks.
- Position a mounting block in the area indicated on the right side of the template. Align the outside edge of the mounting blocks with the inside line. Then move parallel 2mm to the inside.
- Insert a pencil into the holes in the mounting blocks and mark the center of the holes after positioning the mounting block.
- At the locations where the centerline in the slots marked on the template and the pencil mark indicating the hole locations meet, drill a 13mm hole if anchors will be used.
- If anchors will be used, insert one of the supplied anchors in each of the holes.
- Remove the template.



Install Mounting Blocks and Wax Ring

- Position the mounting blocks over the mounting holes.
- Secure each of the mounting blocks with two of the supplied lag bolts.
- Position a wax ring on the flange.

Connect the Supply Hose to the Toilet

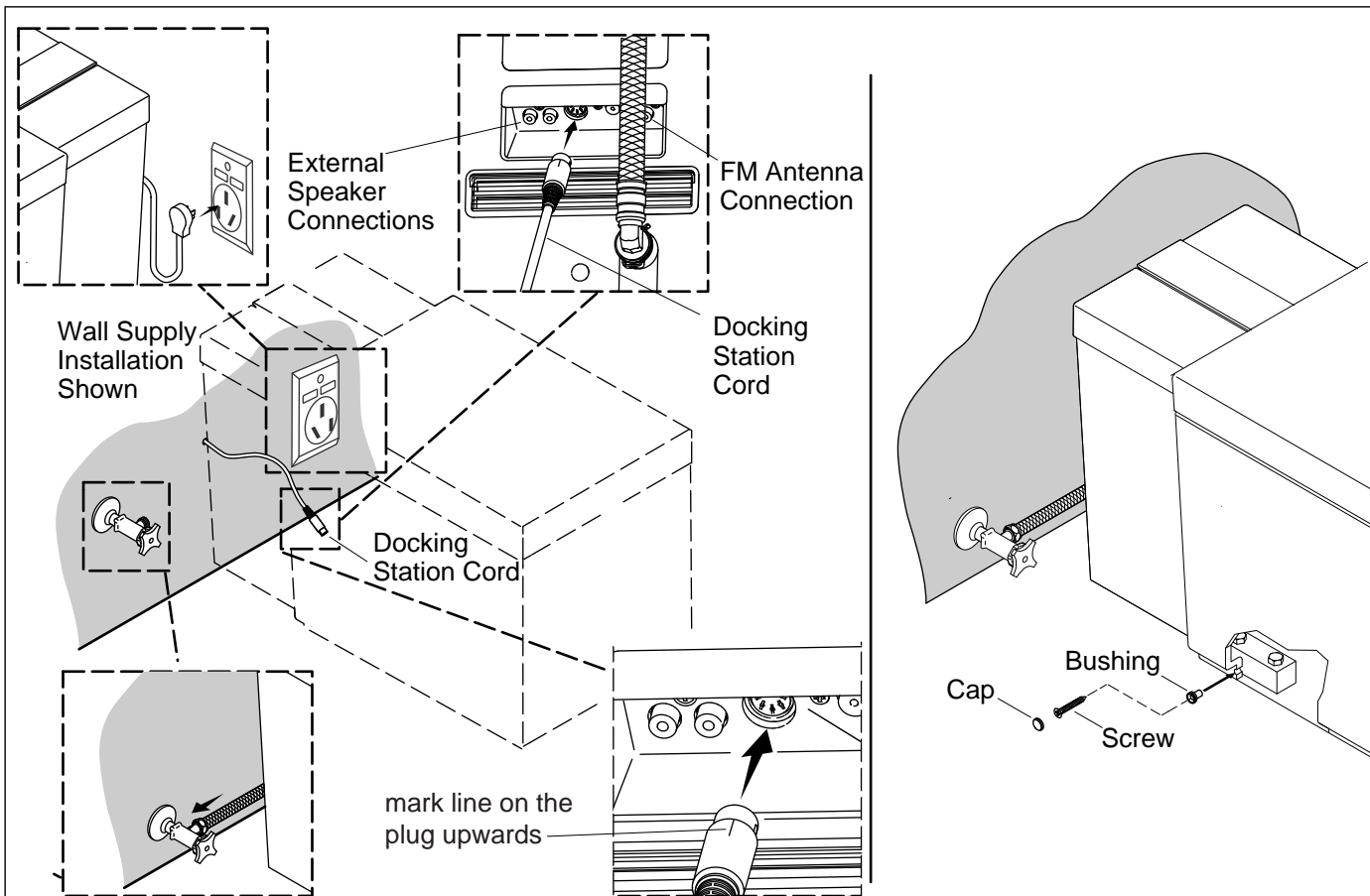
- Slide the supply hose outlet into the toilet water inlet.
- Slide the clip over the flanges on the supply hose and inlet. Make sure both flanges rest in the gap in the clip and are firmly held in place.



CAUTION: Risk of property damage. It is critical that the supply hose be firmly secured by the clip. The supply hose could be displaced when under pressure if the clip is not correctly installed, resulting in water damage.

IMPORTANT! Confirm the clip is firmly holding the supply hose in place. The clip will be able to rotate freely with no significant resistance when properly installed.

NOTE: Please use the water supply hose assemblies and tee valve components accompanying with new machine. The old hose assemblies and tee valve components shall not be used again.



Install the Toilet

Position the Toilet

- Carefully lower the toilet into place, making sure the water supply line and electrical cord do not interfere with the toilet when it is in place.
- Connect the water supply hose to the supply stop.
- Fasten Connect the docking station power cord mark line on the plug upwards.
- Connect the optional FM antenna (not shown) to the toilet if needed. In normal case no need to use the external FM antenna as there's already built-in antenna inside the toilet. However if the environment is causing unsatisfactory receiving effect, please insert and spread the accessory external FM antenna.
- Connect the external speaker wires (not shown) to the toilet if external speakers are installed (RCA plug).
- Place the remote control on the docking station.
- Connect the power.
- Turn on the water supply.

Check for Leaks

NOTE: Once the power is connected, the toilet will automatically enter start-up mode. This process takes several minutes.

NOTE: If there is a failure during start-up mode, follow the directions on the remote control.

- Once the start-up sequence has been completed flush the toilet using the manual buttons on the side of the toilet.
- Let the toilet fully refill and check for leaks.

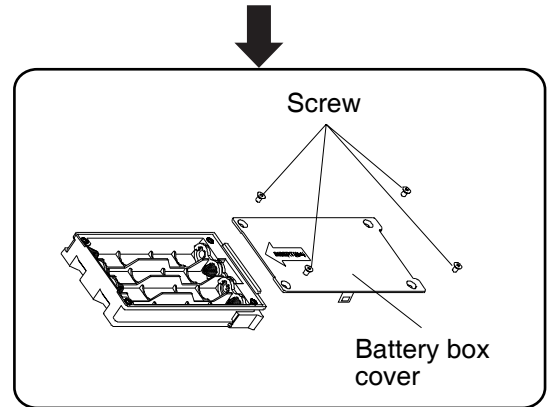
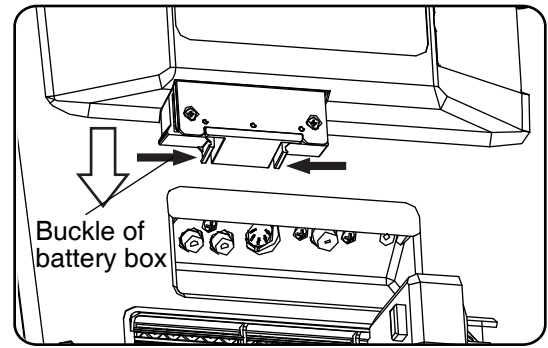
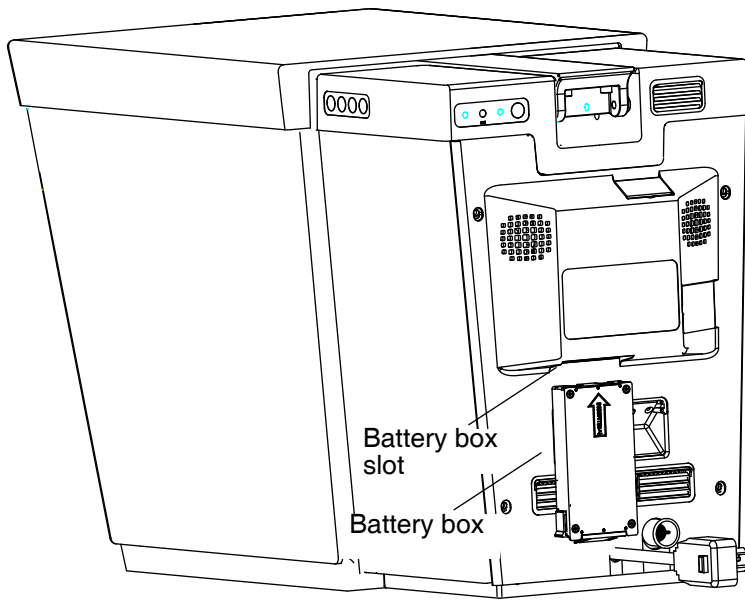
Install the Toilet (cont.)

Secure the Toilet

- Insert the bushing into the screw hole in the side of the toilet.
- Insert the supplied screws into the screw holes.

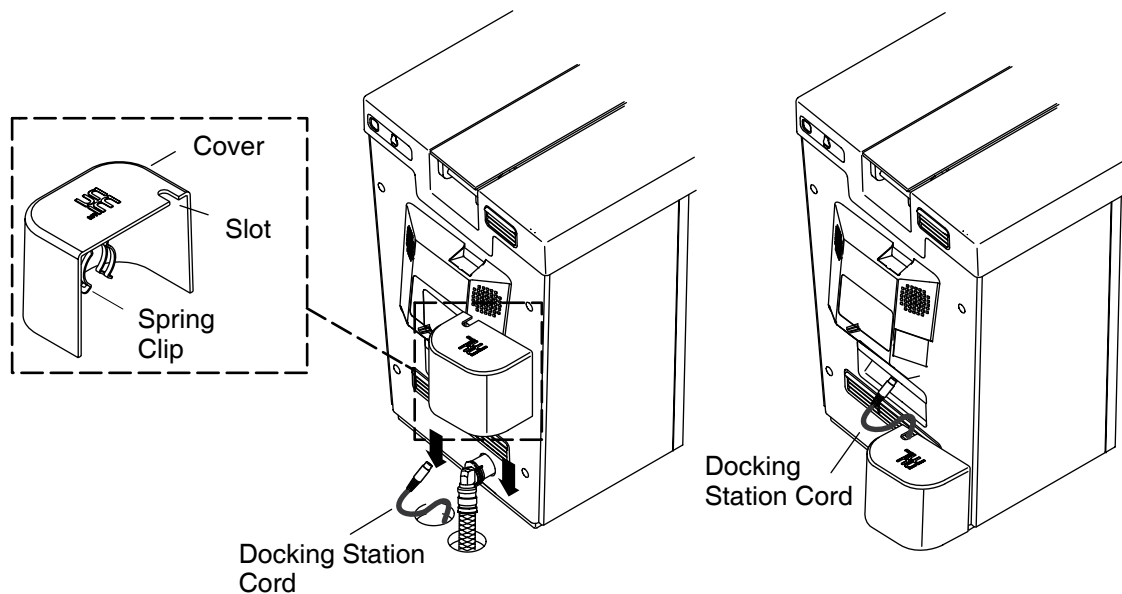
NOTE: A ratchet style screwdriver is the most effective tool when tightening the screws due to their close proximity to the floor. It is difficult to achieve enough force with a standard screwdriver. There is a greater risk of stripping the screws when a drill is used.

- Thread each screw into the mounting blocks. Tighten the screws evenly to maintain the correct toilet position.
- Install the caps over the screw holes.



Install Battery Box

- Pull out the connecting wire under the battery box.
- Press the buckle and pull it down, and take out the battery box from the rear panel (as shown in figure).
- Unscrew the screw with a cross screwdriver and remove the battery box cover.
- Eight AA batteries are loaded correctly according to the mark on the battery box.
- Tighten the screw on the battery box cover.
- Insert the battery box properly into the slot according to the mark on the battery box cover, and push the battery box until it is clamped.



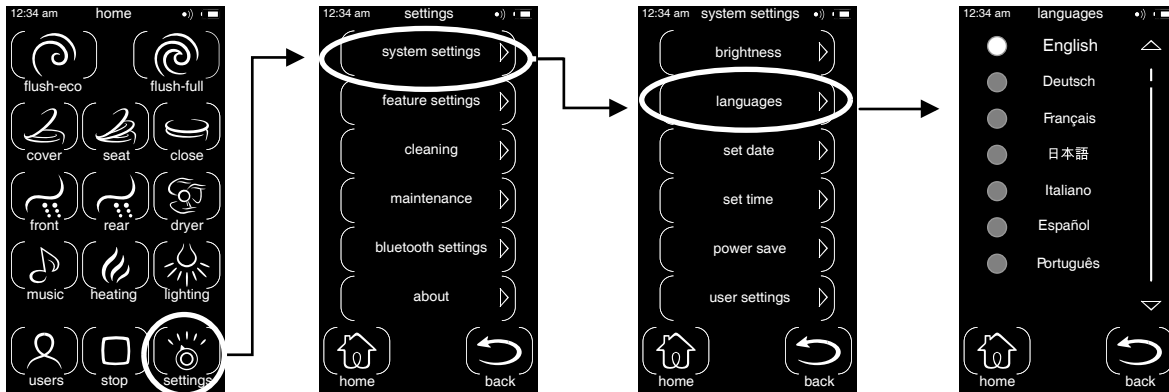
Install the Back Cover (Optional)

NOTE: Install the cover when the water and power supply are run through the floor. The cover is not designed for use when the water or electrical are connected to wall supplies.

- Position the cover over the water supply and electrical supply holes.
- Run the docking station cord through the slot in the cover, and snap the cover into place on the supply hose inlet.
- Align the spring clip on the cover with the supply hose inlet.

NOTE: The clip will easily snap into place on the supply hose inlet. If there is significant resistance, make sure the clip is not pushing the hose clip out of the way.

- Lower the cover and snap the clip into place on the supply hose inlet.



Remote Control Setup - Set the Language

NOTE: If the remote control has not charged enough to be removed from the docking station, perform these steps with remote control attached to the docking station.

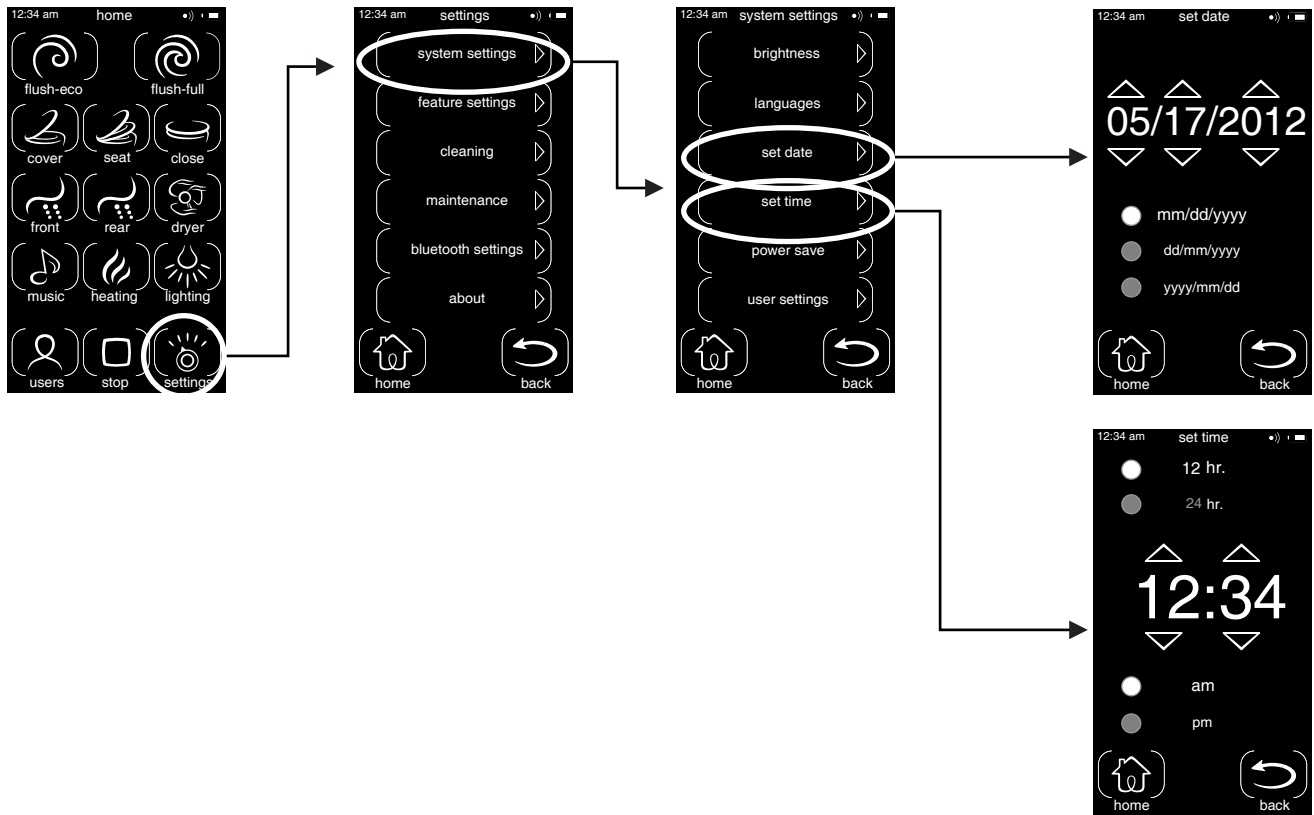
NOTE: Chinese is the default language. Skip this step if Chinese is the desired language.

Changing the On-Screen Language

- Select[settings] .
- Select[system settings] .
- Select[languages] .

NOTE: If the language you desire does not appear on the screen, move the scroll bar down to see additional language options.

- Select the radio button for your desired language. The screen icons will immediately change.
- Select[home] to return to the main screen or [back] to return to the previous screen.



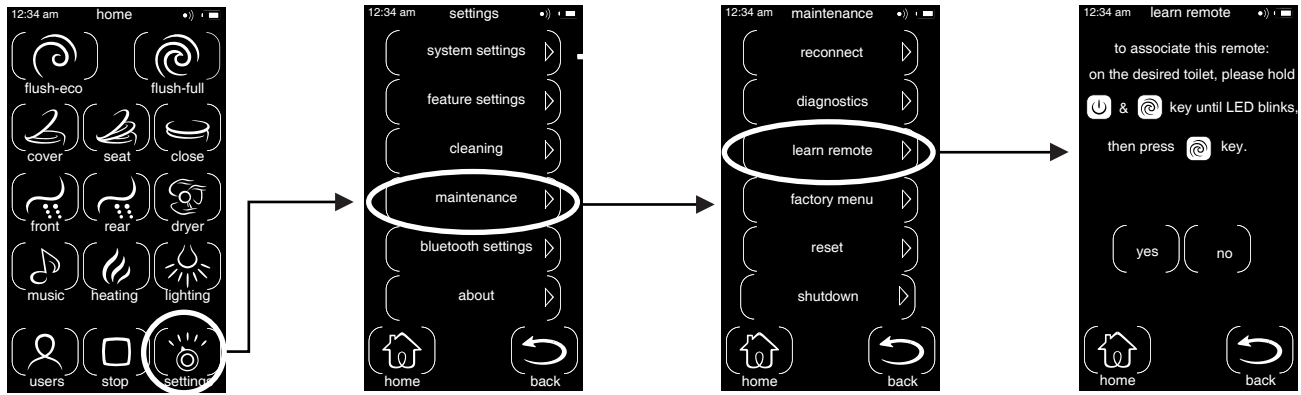
Remote Control Setup - Set the Date and Time

Set the Date

- Select[settings] .
- Select[system settings] .
- Select[set date].
- Use the up and down indicators to adjust the day, month, and year.
- Select the desired radio button for the date format.
- Select[home] to return to the main screen or [back] to return to the previous screen.

Set the Time

- Select[settings] .
- Select[system settings] .
- Select[set time] .
- Select the radio button for the [12 hr.] or [24 hr.] option.
- Use the up and down indicators to adjust the hour and minute.
- Select the radio button for the [am] or [pm] option (12hr setting).
- Select[home] to return to the main screen or [back] to return to the previous screen.



Remote Control Setup - Connect the Remote Control

NOTE: This setting can be used to connect a new remote control.

- Select[settings] .
- Select[maintenance] .
- Select[learn remote] .
- Follow the instructions on the remote screen. When complete select [yes].



Complete the Installation


- Press the flush button on the remote control. Confirm the toilet flushes.
- Remove the protective film from the toilet and remote.
- Apply caulk around the base of the toilet following the caulk manufacturer's instructions.

重要信息

注意：本产品须搭配穿过墙壁或地板的电源和水源来安装。

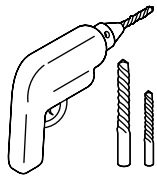
接地须知

- 本产品须接地。在电源短路时，接地能够为电流提供一条散逸通路，从而减少产生电击的危险。本产品配备的电源线中，配有带接地插头的接地线，该插头必须插入正确安装并接地的插座中。

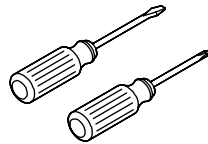
 **危险：有电击的危险。** 接地插头使用不当可引起电击危险。

- 如果必须修理或更换电源线或插头，不得将接地线连接到任何一只扁平端子上。接地线是外表面为绿色、带或不带黄色条纹的绝缘线。
- 如果没能完全理解“接地须知”，或是担心产品是否正确接地，请向具有资质的电工或维修人员查对。
- 该产品出厂即配有专用的电源线和插头，以连接到合适的电路中。请确保产品连接到与插头配置相同的插座中。本产品不得采用适配器。不得改造提供的插头。如果插头与插座不匹配，应由具有资质的电工来安装合适的插座。如果必须要重新连接该产品，以便在不同类型的电路中使用，则必须由具有资质的维修人员来完成这项工作。

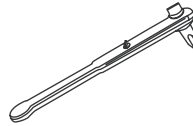
工具和材料



电钻及配套钻头



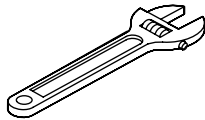
螺丝刀



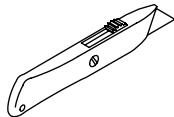
偏置螺丝刀



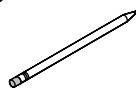
剪刀



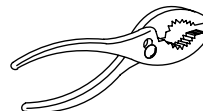
活络扳手



美工刀



笔



钳子

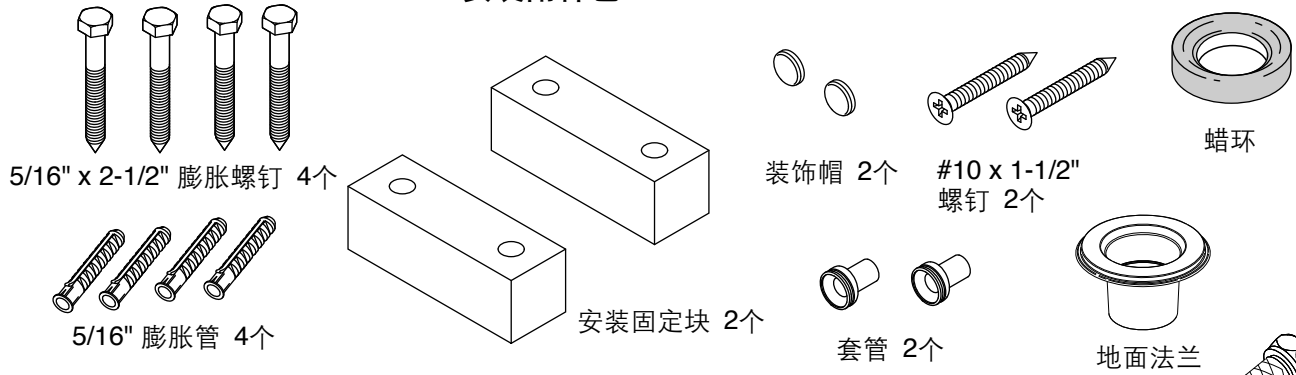


卷尺

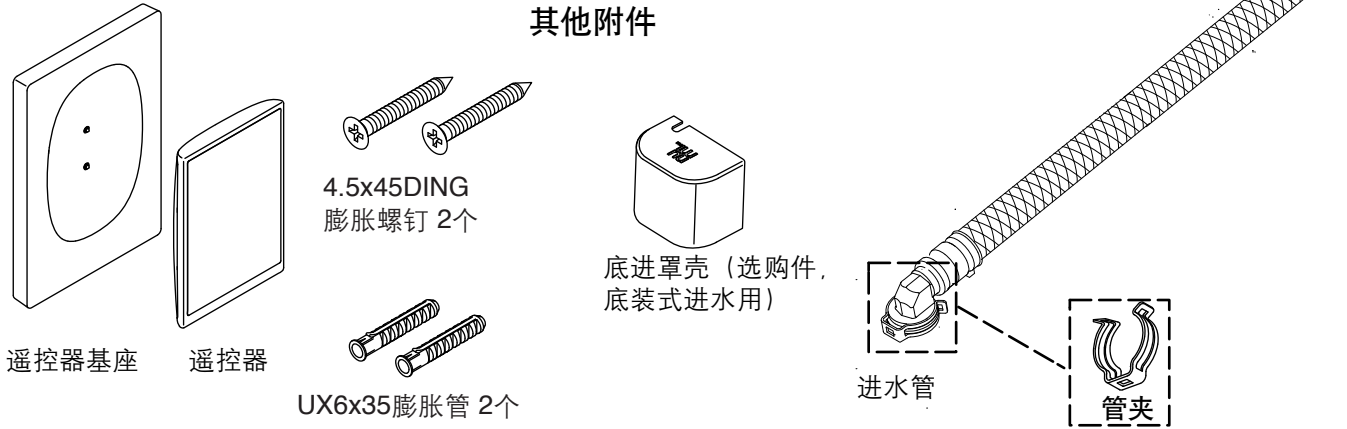
其他：

- 垫子或防护材料；
- 胶带









安装附件包



其他附件



安装之前

-  **危险：有电击的危险。**在工作之前必须先行断开电源。
-  **危险：有电击的危险。**产品只能连接到正确接地的接地型插座，而且插座需由220V~、50Hz、10A或以上的接地故障断路器（GFCI）或剩余电流漏电保护器（RCD）来加以保护。不得去除接地引脚，也不得使用接地适配器。
-  **注意：有人身伤害的危险。**这款座便器重约55公斤（121磅）。抬升座便器需要两个人，并采用合适的抬升方式。
-  **注意：有人身伤害的危险。**手不得插入电池盒插槽。
-  **注意：存在有害气体的危险。**如果新座便器不能即时安装，须临时在地面排污管开孔处覆盖一块抹布。
-  **注意：有产品损坏或破损的危险。**座便器不能安装在低于1°C的环境中，当温度低于0°C时，有可能冻裂水箱而引起泄漏。
-  **警告：在安装本座便器时切勿使用任何水泥。**因为水泥的热膨胀可能使座便器的脚部挤破或损坏。科勒对所有因为水泥安装而引起的座便器破裂恕不负责。
-  **警告：提防损坏产品。**请不要向便器内冲入新闻纸、纸尿裤、妇用卫生巾等容易堵塞的物品。请不要用重力撞击陶瓷，以防止破损漏水。不要在0°C以下的水环境中使用。

注意：遵守当地关于水暖和电气方面的所有规范。

- 仔细检查新座便器有无损伤。
- 到科勒公司网站（Kohler.com）查阅在线用户指南，以获取更详尽的资料。
- 科勒公司保留修改产品设计的权利，恕不另行通知。

安装之前 (续)

安装之前请确认附件是否遗漏。

安装附件包

- 5/16”x 2-1/2”膨胀螺钉 4个
- 5/16”膨胀管 4个
- 安装固定块 2个
- 装饰帽 2个
- #10 x 1-1/2”螺钉 2个
- 套管 2个
- 蜡环 1个
- 地面法兰 1个

遥控器盒

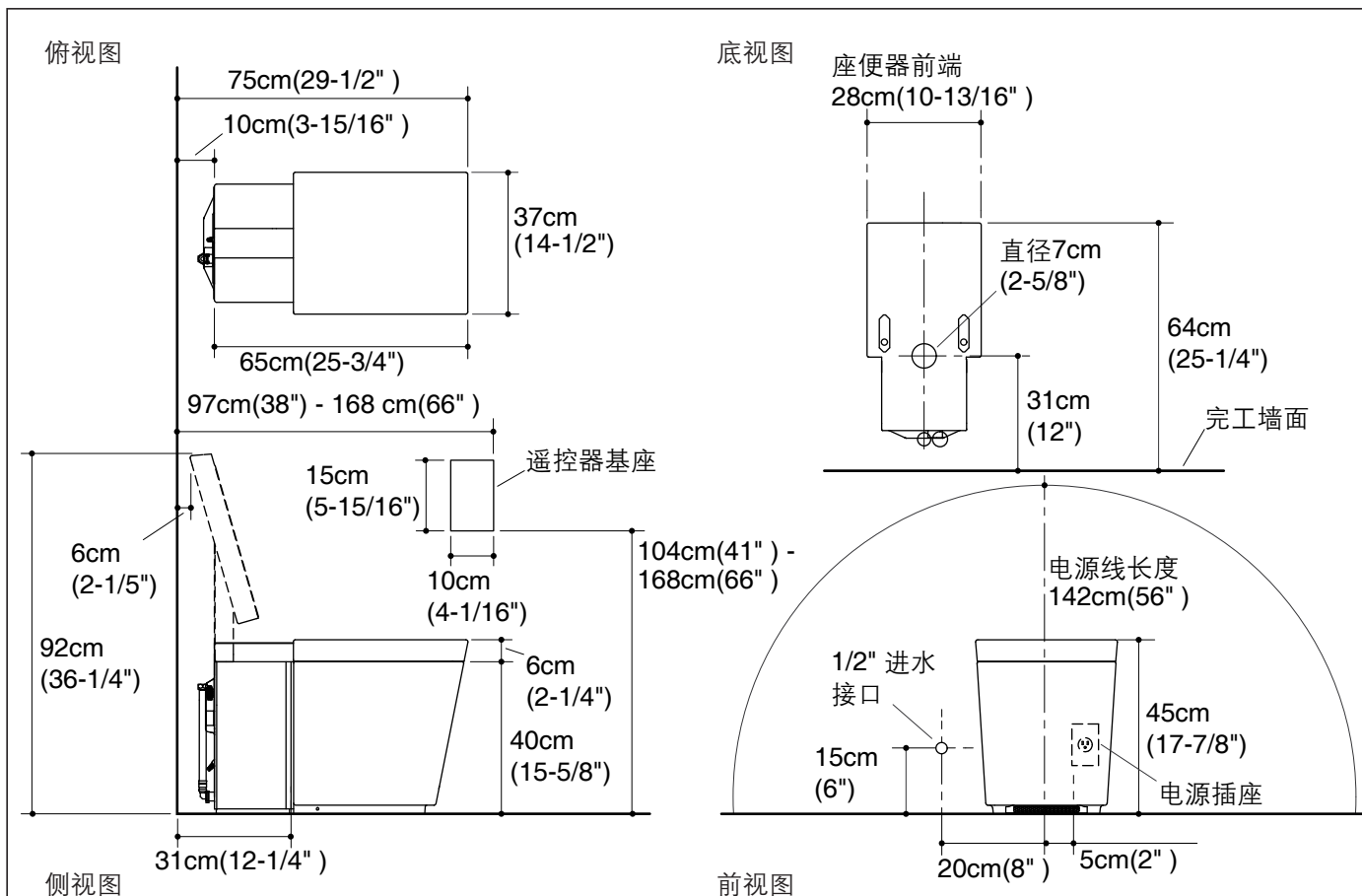
- 遥控器基座 1个
- 遥控器 1个
- 遥控器基座电缆 1条
- 外接FM天线 1条
- 外接音源输入电缆 1条
- 4.5x45DING 膨胀螺钉 2个
- UX6x35膨胀管 2个

说明书附件

- 用户手册
- 安装说明
- 快速使用指南
- 安装模板

其他附件

- 进水管 1条
- 管夹 1个
- 底进罩壳 (选购件, 底装式进水用)



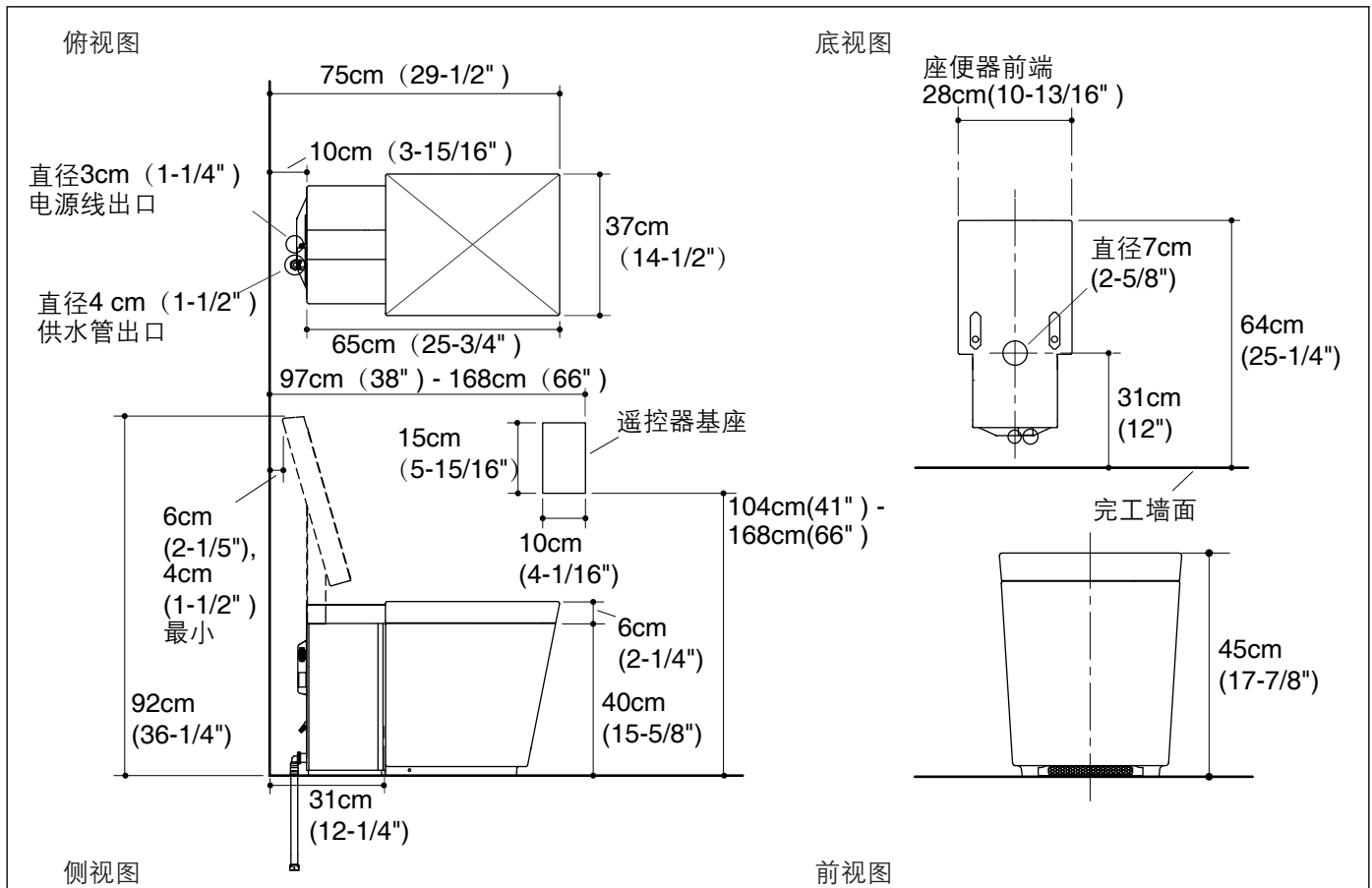
尺寸图 - 壁装式的电源与供水

注意：止水阀、电源插座及遥控器基座电源线的位置仅供参考。确保所有安装均遵守适用的规范与标准。

注意：止水阀不要装在座便器正后面，否则将影响后背板拆卸。

重要！不要在座便器背后安装有可能妨碍盖板开启的物件。所有装饰件应高于地面94cm(37英寸)以上。

- 遥控器基座配有5米(16英尺)长的电缆线。
- 产品的电源线长度约142cm(56")。
- 这款座便器配有运动传感器，当它检测到前方物体运动时，便会自动打开盖板。传感器的感应距离可以通过遥控器来调节。
- 这款座便器配有侧面传感器，位置在座便器的右侧。为避免误触发，请勿在传感器前方20cm范围内放置障碍物。
- 必须使用1/2"接口的止水阀，否则需用转换接头。

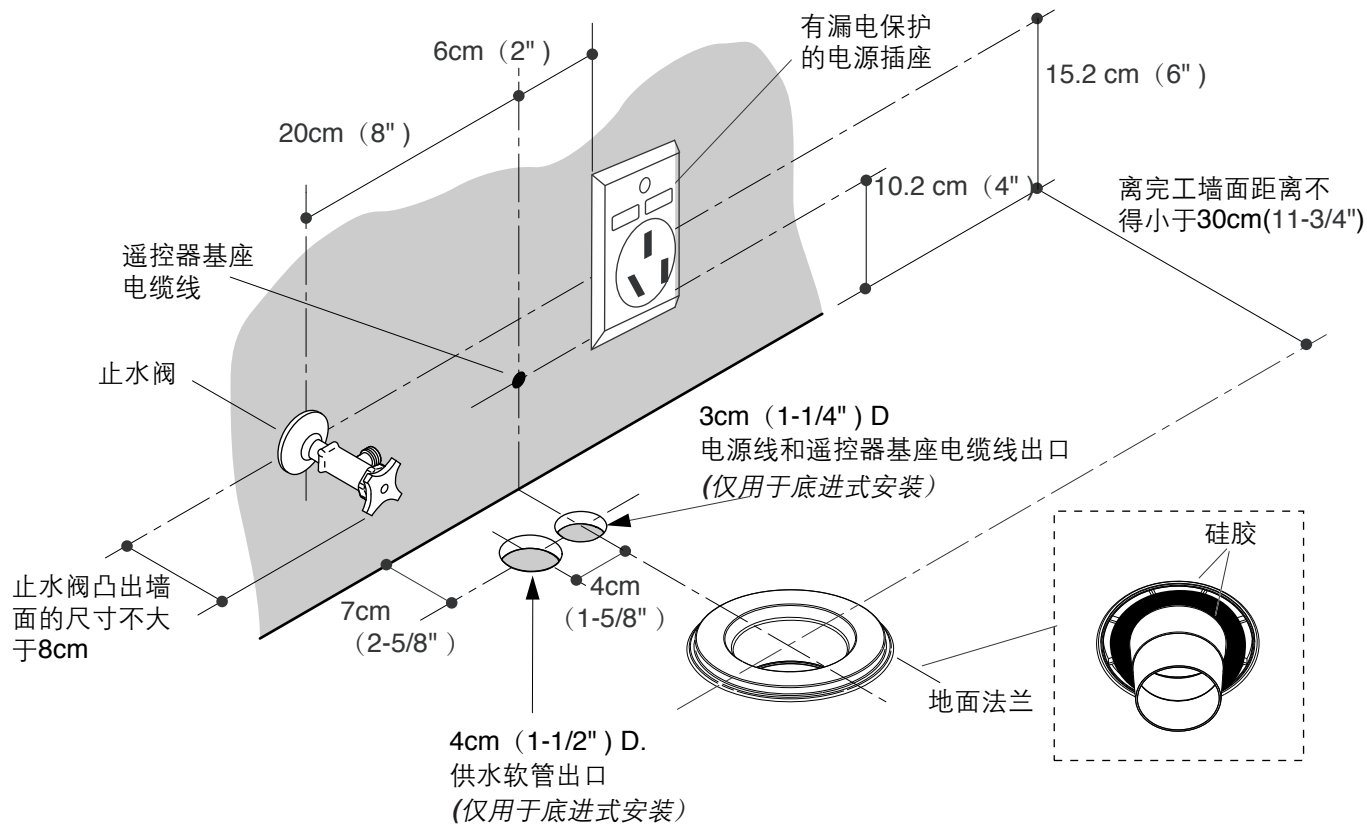


尺寸图 - 底进式的电源与供水

注意：止水阀、电源插座、遥控器基座电源线的位置仅供参考。确保所有安装均遵守适用的规范与标准。

重要！不要在座便器背后安装有可能妨碍盖板开启的物件。所有装饰件应高于地面94cm(37")以上。

- 遥控器基座配有5米（16英尺）长的电缆线。
- 产品的电源线长度约142cm(56")。
- 这款座便器配有运动传感器，当它检测到前方物体运动时，便会自动打开盖板。传感器的感应距离可以通过遥控器用户界面来调节。
- 这款座便器配有侧面传感器，位置在座便器的右侧。为避免误触发，请勿在传感器前方20cm范围内放置障碍物。
- 必须使用1/2"接口的止水阀，否则需用转换接头。



安装现场的准备工作



警告：有电击的危险。 安装或检修之前须先行断开电源。



警告：有电击的危险。 产品只能连接到有可靠的接地型插座中，而且该插座要以220V~，50Hz，10A或以上的接地故障断路器（GFCI）或剩余电流漏电保护器（RCD）来加以保护。不得拆除接地引脚，也不得使用接地适配器。



警告：有电击的危险。 对于底进式安装的电源：产品只能连接到有可靠的接地、并安装有接地漏电断路器（GFCI）或剩余电流漏电保护器（RCD）的专用电路中。

注意： 止水阀不得装在座便器正后面，否则将影响后背板拆卸。

安装遥控器基座电缆线

- 如果墙面尚未装饰，装修时可在墙内预埋电线管以便穿基座电缆线（暗装式）。
- 如已经完成墙面装饰，请铺设电线槽将遥控器基座电缆线引到基座位置（明装式）。

安装供水管

重要！ 安装供水管时，请先连接座便器一端，再连接止水阀一端。

注意： 产品所配的供水软管长度为46cm(18")，安装时必须使用产品所配的软管。

- 安装供水管和止水阀。
- 请将杂物清理干净，整理好现场。

安装现场的准备工作(续)

安装电源

注意：产品电源线长度约为142cm（56英寸）。

□ 请安装220V~、50Hz、10A或以上的接地型插座，该插座要有接地故障断路器或剩余电流漏电保护器加以保护。插座的位置应在座便器背面的142cm（56英寸）以内。

安装外置扬声器（按需要选择安装）

□ 如需要使用外置扬声器，请采用带RCA端子的音频线（用户自购）。

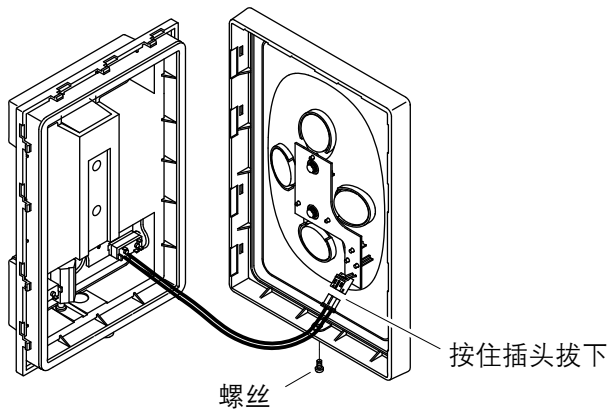


图1

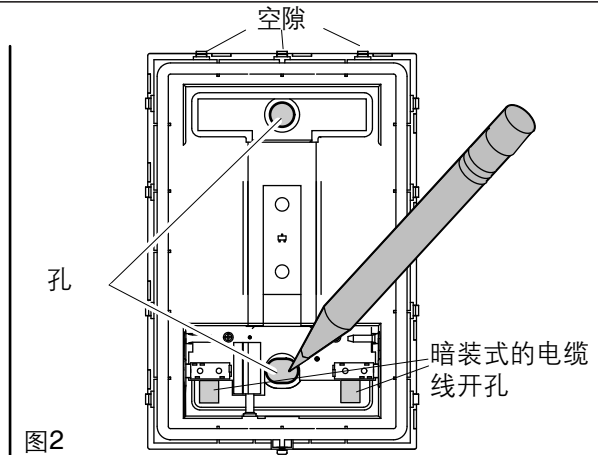


图2

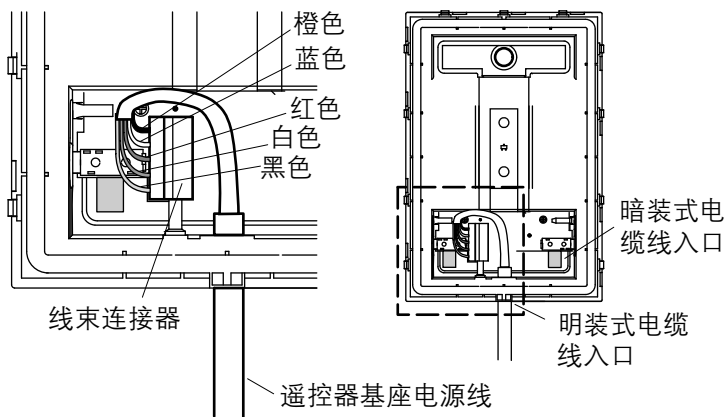


图3

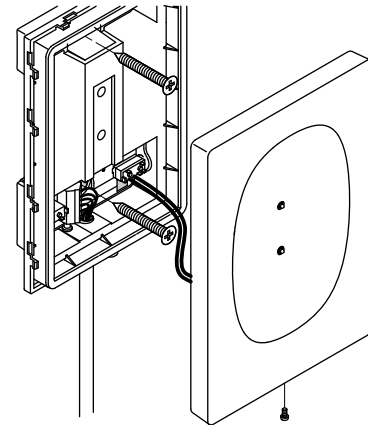


图4

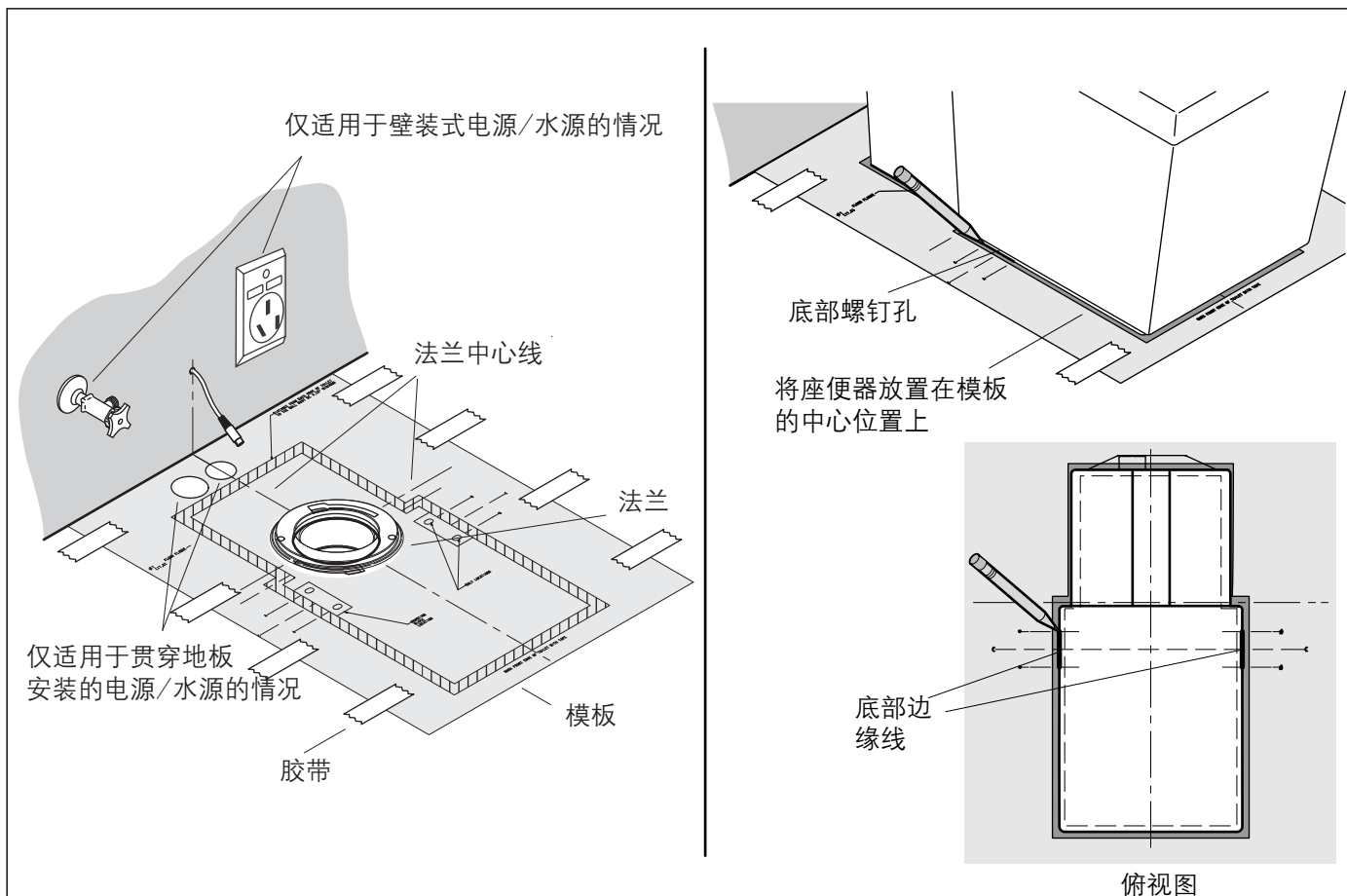
安装遥控器基座

注意：遥控器基座配有5米（16”）长的电缆线。基座与座便器的距离不得超过这一长度。

- 将基座从包装盒中取出。
- 拆掉遥控器基座底部上的小螺丝。
- 用扁平工具沿着基座背面上部的空隙小心地起开面板。
- 小心拔出面板插头。
- 将面板放置一边。
- 暗装式电缆从背部开孔进线。
- 明装式电缆从底部开孔进线。
- 将基座定位在安装位置上，用基座作模板标记出螺钉的位置。
- 根据墙壁材质，在螺钉的安装位置上钻出合适的安装孔。
- 将基座内线束连接器上的五颗小螺丝旋松。
- 根据明装或暗装方式将电缆线穿过底部或背部开孔。
- 将基座安放在安装位置，用两颗螺钉将基座固定到墙上。
- 将电缆线头顶端的焊锡（约2cm）剪去。
- 将电缆线线头按颜色穿进线束连接器小孔（如图3所示），并上紧每一颗螺丝。并将电缆线按图示位置固定到位。
- 取下基座上的保护膜。

安装遥控器基座(续)

- 将面板插头插上。
- 将面板紧扣在背板上。
- 旋紧底部螺丝。

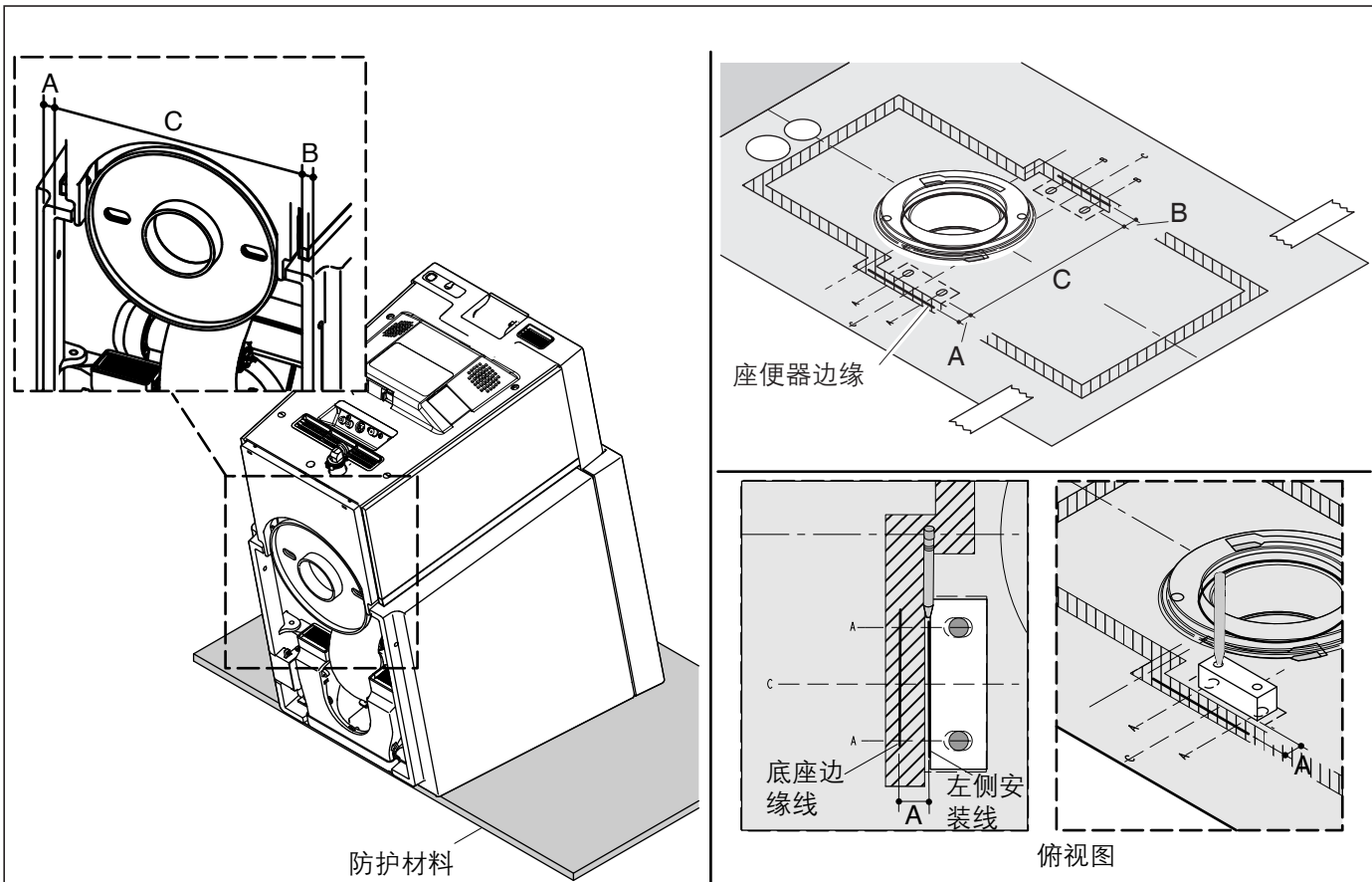


确定座便器的位置

重要！ 有损坏产品的危险。如果法兰中有T型螺栓，须将螺栓拆除。此项安装不需T型螺栓。

重要！ 由于座便器底部宽度尺寸存在差异，为使座便器居中安装，请按以下步骤操作

- 沿虚线将模板上与法兰位置相应的圆孔区域移除。
- 确定模板正确定位，将模板镂空的圆孔区域与法兰对中。
- 模板上的孔眼与法兰对准后，用胶带将模板固定到地板上。
- 确定座便器前端位置。将座便器前端与模板前端阴影区域对准。
- 确定座便器左右位置。左右移动座便器，使模板上外露阴影区域左右相等。
- 在底部螺钉孔的正下方沿陶瓷件边缘划出左右两侧的底座边缘线，这两条边缘线需与模板左右两侧上标注为“C”、“A”或“B”的线条分别相交。



确定固定块的位置

注意：座便器水箱里有少量防冻液，向前倾斜放置时，可能会有少量防冻液溢到地板上，请确保地板上有适当的防护措施。

- 在座便器前端放置纸板等防护材料。
- 轻缓地向前倾斜座便器，直到座便器稳稳地靠在其前端表面上为止。

注意：虽然在模板上标有固定块的安装位置，由于座便器底部宽度尺寸存在差异，固定块的准确位置须由安装者调整。

- 测量座便器左侧底座的实际宽度为“A”。
- 沿底座边缘线向内移动“A”的宽度，并在此处画一条“左侧安装线”。
- 测量座便器右侧底座的实际宽度为“B”。
- 沿底座边缘线向内移动“B”的宽度，并在此处画一条“右侧安装线”。
- 测量陶瓷内侧的宽度，标注为“C”。

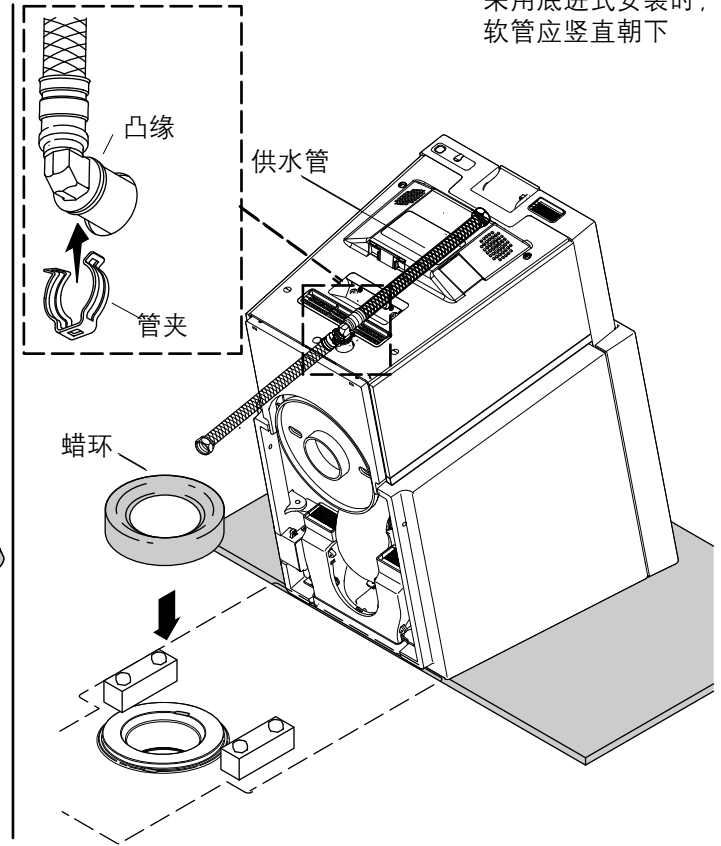
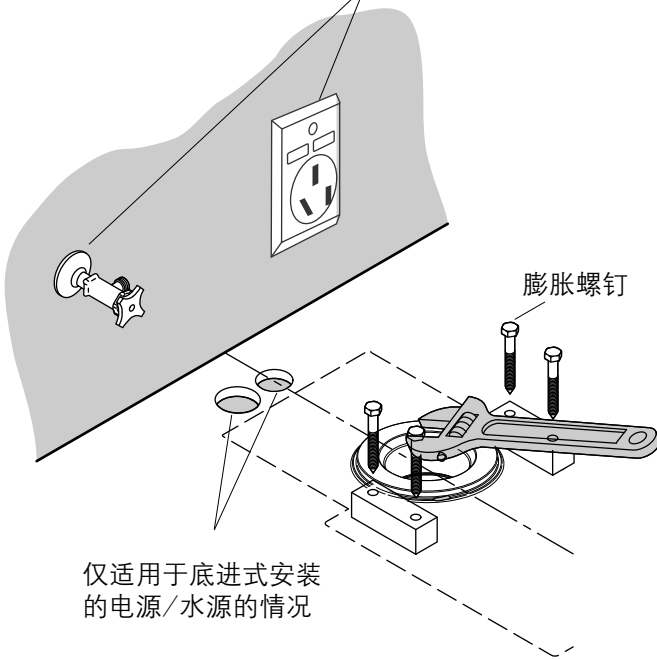
重要！ 为避免安装时固定块与座便器内侧相干涉。两个固定块外边缘之间的距离应略小于尺寸“C”。

确定固定块的位置(续)

- 在模板的左侧放置一固定块，固定块的外缘与模板上的“左侧安装线”的内侧对齐，然后再向内侧平行移动2mm。
- 放置好固定块后，用铅笔在固定块的安装孔的中心做好标记。
- 在模板的右侧放置一固定块，固定块的外缘与模板上的“右侧安装线”的内侧对齐，然后再向内侧平行移动2mm。
- 放置好固定块后，用铅笔在固定块的安装孔的中心做好标记。
- 移去固定块。
- 在作好标记的位置上钻直径约为13mm的孔。
- 将膨胀管装入打好的孔中。
- 移去安装模板。

采用底进式安装时，
软管应竖直朝下

仅适用于壁装式电源/
水源的情况



安装固定块与蜡环

- 在安装孔上方将固定块定位。
- 确保每个固定块有2个膨胀螺钉紧固。
- 在法兰盘上放置蜡环。

连接供水管到座便器

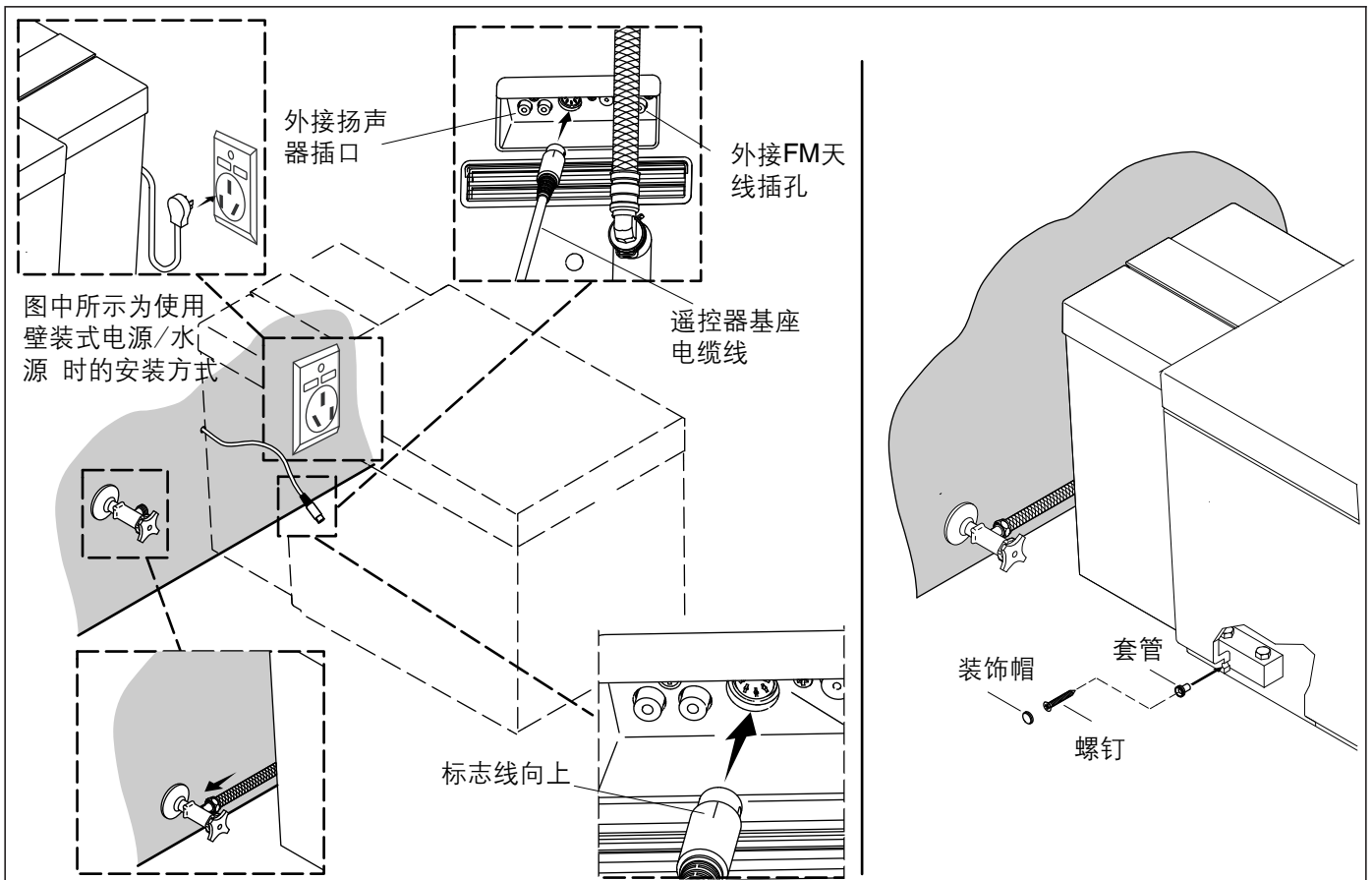
- 将供水管出水口连接到座便器进水口。
- 用管夹卡住供水管和进水口两边的凸缘，请确保卡紧。



注意：可能破损的危险。如果安装不正确，供水压力大时，易引起供水管脱落，而导致溢水的风险。

重要！请确认供水管与座便器进水口可靠连接，正确安装时，管夹可轻易转动。

注意：请使用随器具附带的新软管组件和角阀组件，旧软管组件和角阀组件不能使用。



安装座便器

定位座便器

- 小心地将座便器放置到位，确保座便器放置到位后不会受到供水管线和电源线的妨碍。
- 将供水管连接到止水阀。
- 将遥控器基座电缆线插头插入电缆线插孔，并确保插紧到位。
注意：标志线向上。
- 座便器内部有FM天线，通常情况下可以满意地接收FM广播。当安装环境接收效果较差时（如钢筋水泥建筑，离广播发射塔较远或附近存在干扰源），可将附送的外接FM天线插入座便器背面的插孔中并展开，以提高接收效果。
- 如果有外接喇叭，将喇叭线插入背部插孔（RCA插头）。
- 将遥控器放置在基座上。
- 连接电源。
- 打开止水阀。

注意：一旦连接电源后，座便器将自动进入启动模式。这一过程可能需要几分钟的时间。

注意：如果启动模式期间出现故障，请按照遥控器上的提示采取相应措施。

- 当启动模式结束后，可以用座便器侧面的手动按键进行冲洗。

安装座便器(续)

- 按下“冲水”键，向座便器缸体内注水，以检查有无泄漏。

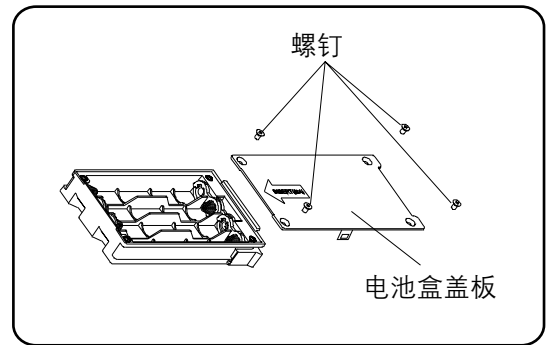
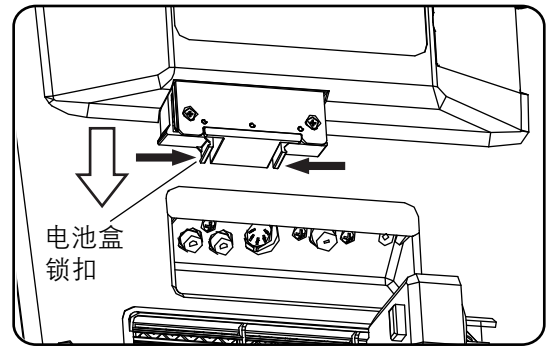
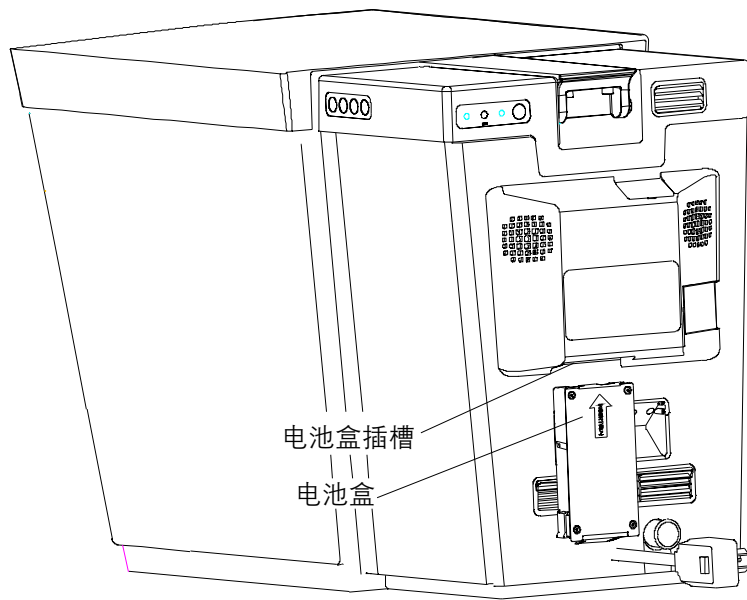
固定座便器

- 把套管装入座便器两侧的底部螺钉孔。
- 将螺钉通过底部螺钉孔旋入固定块。

注意：由于此处操作靠近地面，普通螺丝刀难以提供足够大的锁紧力，请选用偏置螺丝刀紧固螺钉。

注意：在固定块上预钻孔时注意安全。

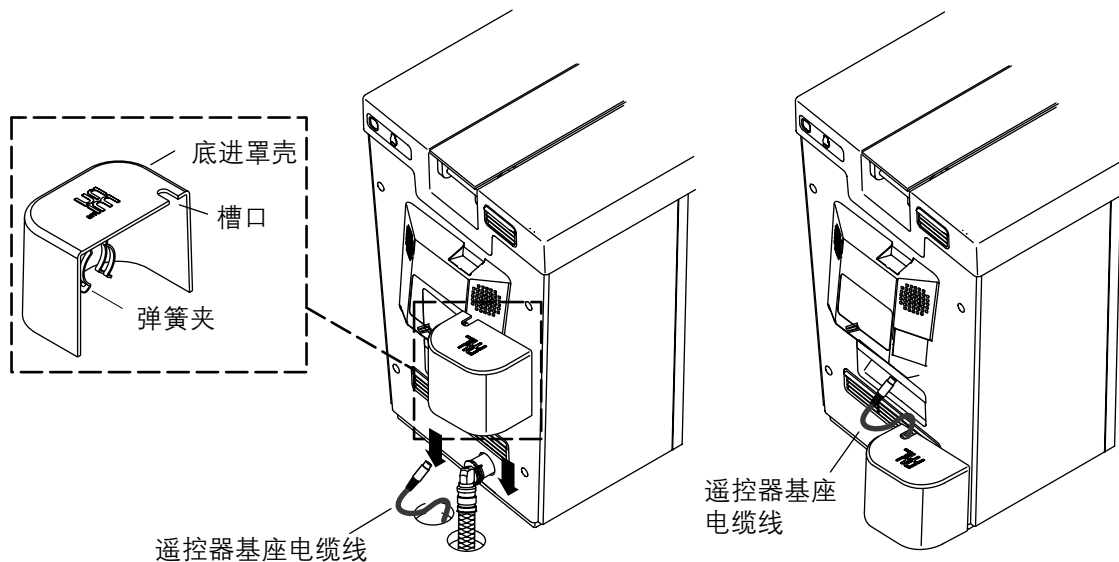
- 均匀的锁紧螺钉，确保座便器位置居中。
- 为螺钉孔盖上装饰帽。



安装电池盒

注意：当交流电停电时，电池盒单元可以为紧急冲水提供备用电源。

- 请将电池盒下方的连接线拔出。
- 按下卡扣向下拉出，将电池盒从后背板中取出（如图所示）。
- 用十字螺丝刀拧开电池盒盖板上的螺钉。
- 按照电池盒上的标记正确装入8节5号电池。
- 将电池盒盖板上的螺钉拧紧。
- 根据电池盒盖板上的标记正确插入电池盒插槽，推入电池盒直到卡住为止。



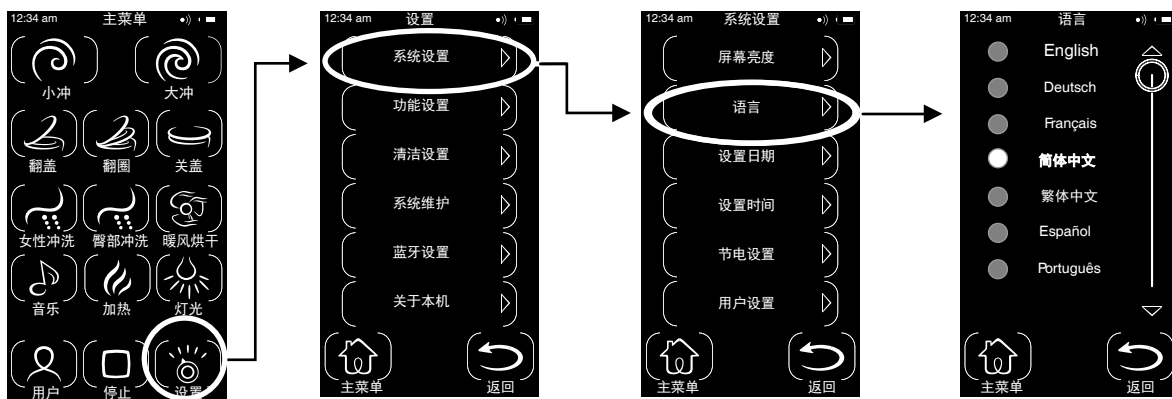
安装底进罩壳（可选项）

注意：采用底进方式安装电源线和供水管线的情况下才使用底进罩壳。如采用壁进式安装，则不需使用底进罩壳。

- 将底进罩壳定位在供水管线和电源线孔眼上方。
- 让遥控器基座电缆线穿过底进罩壳上的槽口。
- 将底进罩壳上的弹簧夹与供水软管对准。

注意：罩壳内的弹簧夹应很容易卡紧供水管，如果有意外，请确认管夹是否正确安装。

- 垂直下移底进罩壳，使弹簧夹卡住供水管接头。



设置遥控器-语言

注意：如果遥控器电量不足，请将遥控器放置在基座上进行下面的操作步骤。

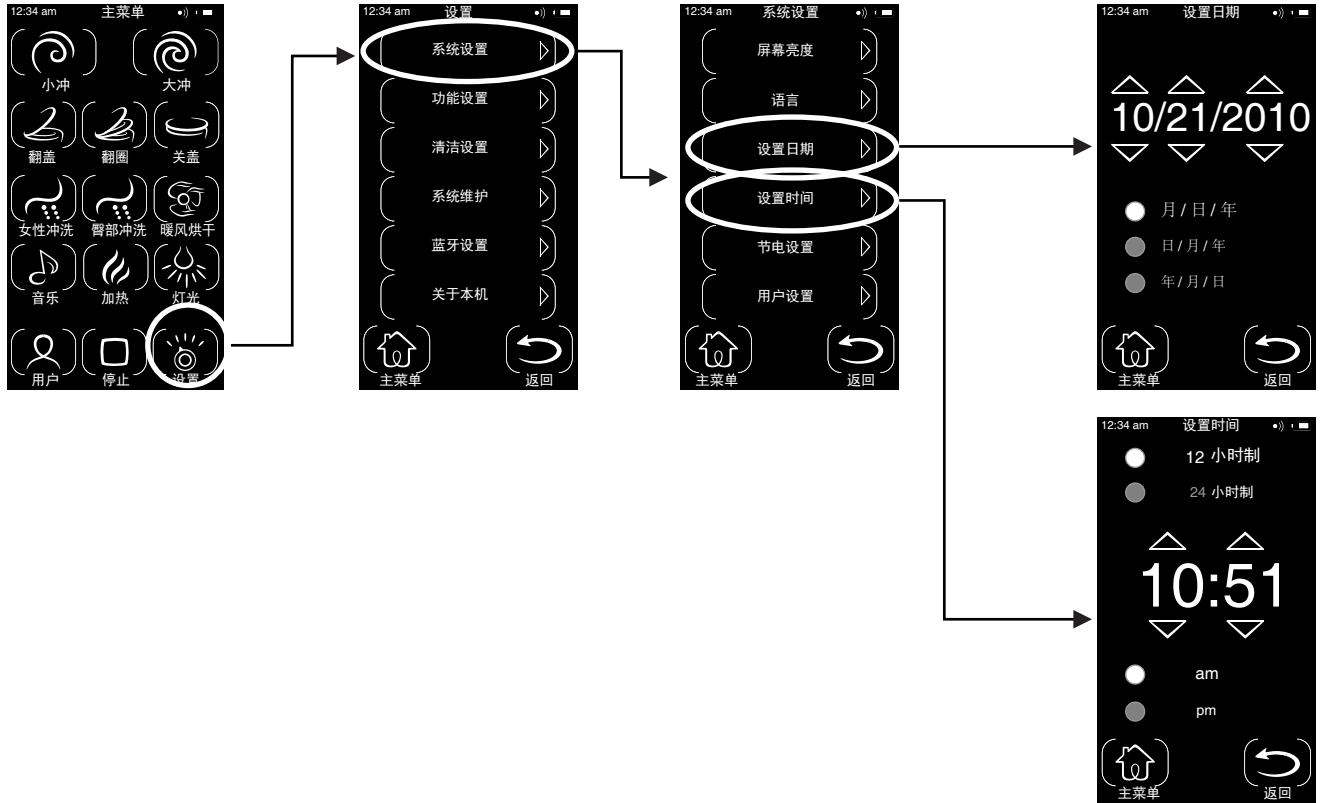
注意：系统默认语言为中文。如果所需要的为中文，请跳过此步骤。

更改屏显语言

- 选择“设置”
- 选择“系统设置”
- 选择“语言”

注意：如果屏幕上未显示您所需要的语言，请向下拖动滑动条来查找更多语言选项。

- 选择您想要的语言。屏幕语言会立即相应更改。
- 选择“主菜单”来返回主画面，或是选择“返回”来返回到前一个画面。



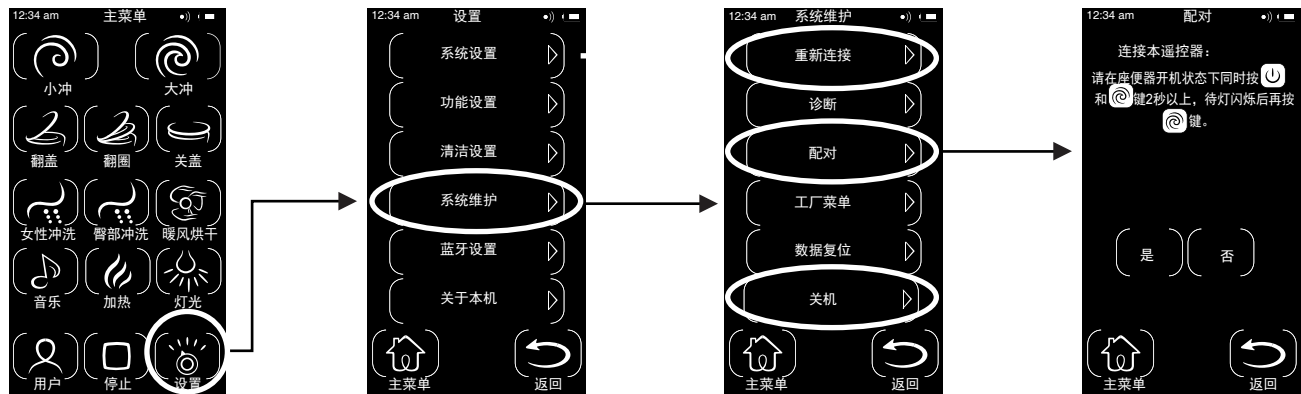
设置遥控器-日期与时间

设置或更改日期

- 选择“设置”
- 选择“系统设置”
- 选择“设置日期”
- 使用上，下箭头来调节日，月和年
- 选择想要的日期格式
- 选择“主菜单”返回主画面，或是选择“返回”来返回到前一个画面。

设置或更改时间

- 选择“设置”
- 选择“系统设置”
- 选择“设置时间”
- 选择“12小时制”或“24小时制”选项
- 使用上，下箭头来调节小时与分钟
- 选择“上午” (am)或“下午” (pm)选项 (12小时制)
- 选择“主菜单”返回主画面，或是选择“返回”来回到前一个画面



设置遥控器-建立与座便器的连接

注意：这项设置可以用来连接新的遥控器。

- 选择“设置”。
- 选择“系统维护”。
- 选择“配对”。
- 按照遥控器屏幕上的指示进行操作，完成后选择“是”。



安装完成

- 按遥控器上的大冲或者小冲按键，确认座便器冲洗正常。
- 取下座便器和遥控器上的保护膜。
- 遵照填缝制造商的指示在座便器底座周围填缝。