



Finesse™ Peak®

55-1/8" H sliding bath door with 5/16"-thick glass
39347-8D3

Features

- Frameless design emphasizes glass and creates a sleek, minimalist look
- Tempered glass ensures enhanced safety and durability
- 13" (330 mm) vertical handle
- CleanCoat®+ glass coating creates a hydrophobic barrier that repels water, soap scum, and residue, saving time and protecting shower doors 10 times longer than original CleanCoat. (Based on 2021 internal wear/abrasion testing using a microfiber cloth.)

Material

- Frameless, heavy 5/16" (8 mm) thick Frosted tempered glass
- Anodized aluminum prevents rust and corrosion

Installation

- 55-1/8" (1400 mm) high, with 52-1/8" (1324 mm) minimum head clearance
- Fits opening widths 54-5/8" – 59-5/8" (1387 – 1514 mm)
- 5" (127 mm) width adjustment
- Out-of-plumb adjustability simplifies installation
- Door can be installed to open to the left or right to suit your bathroom layout
- Not for use in hospitality
- For residential use only



Codes/Standards




ANSI Z97.1
CAN/CGSB-12.1
CPSC 16CFR 1201

STERLING® Bath and Shower Doors Five-Year Limited Warranty

See website for detailed warranty information.

Available Colors/Finishes

Color tiles intended for reference only.

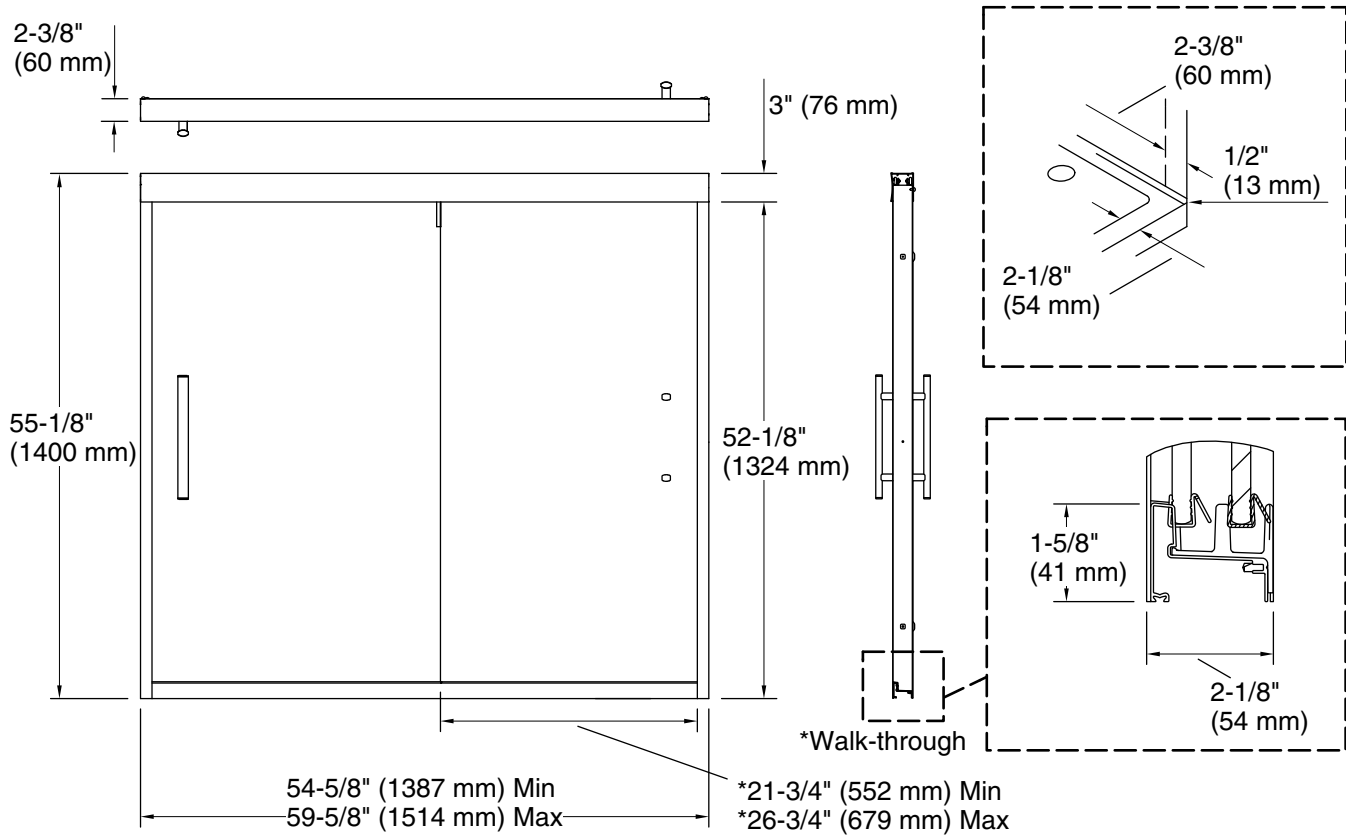
Color	Code	Description
	SHP	Bright Polished Silver
	BNK	Anodized Brushed Nickel
	BL	Matte Black

1-800-STERLING (1-800-783-7546)

Kohler Co. reserves the right to make revisions without notice to product specifications.

For the most current Specification Sheet, go to www.sterlingplumbing.com.

9-21-2025 12:37 - US/CA



Technical Information

All product dimensions are nominal.

- Base-To-Wall 1/2" (13 mm)
- Radius – Max:
- Shower Ledge Min 2-1/8" (54 mm)
- Flat:
- Shower Wall Min 2-3/8" (60 mm)
- Flat:

Notes

The vertical opening should be a minimum of 58-1/8" (1476 mm) to allow for installation clearance.