



## Finesse™ Peak®

69-5/8" H sliding shower door with 5/16"-thick glass  
**39348-8D3**

### Features

- Frameless design emphasizes glass and creates a sleek, minimalist look
- Tempered glass ensures enhanced safety and durability
- 13" (330 mm) vertical handle
- CleanCoat®+ glass coating creates a hydrophobic barrier that repels water, soap scum, and residue, saving time and protecting shower doors 10 times longer than original CleanCoat. (Based on 2021 internal wear/abrasion testing using a microfiber cloth.)

### Material

- Frameless, heavy 5/16" (8 mm) thick Frosted tempered glass
- Anodized aluminum prevents rust and corrosion

### Installation

- 69-5/8" (1768 mm) high, with 66-5/8" (1692 mm) minimum head clearance
- Fits opening widths 44-5/8" – 47-5/8" (1133 – 1210 mm)
- 3" (76 mm) width adjustment
- Out-of-plumb adjustability simplifies installation
- Door can be installed to open to the left or right to suit your bathroom layout
- Not for use in hospitality
- For residential use only



### Codes/Standards

ANSI Z97.1  
CAN/CGSB-12.1  
CPSC 16CFR 1201

### STERLING® Bath and Shower Doors Five-Year Limited Warranty

See website for detailed warranty information.

### Available Colors/Finishes

*Color tiles intended for reference only.*

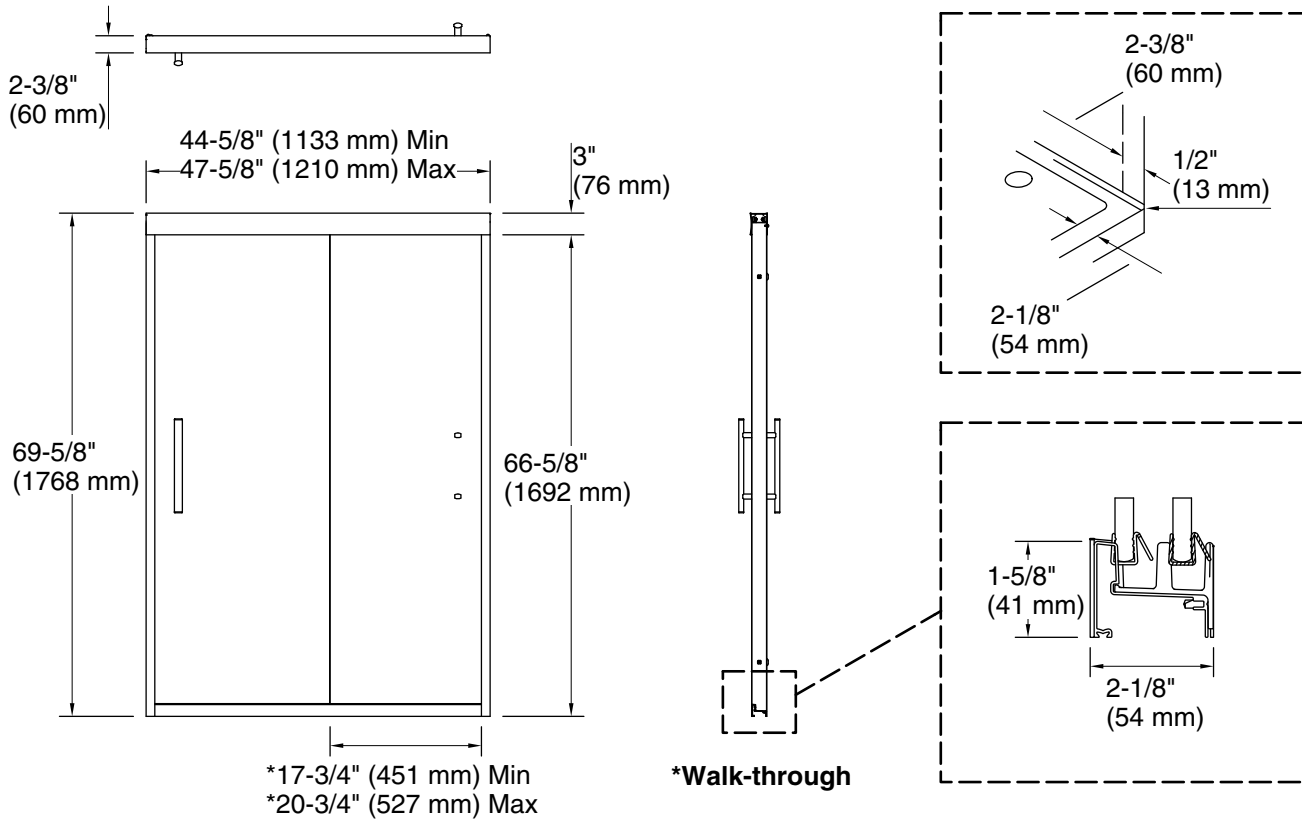
Color	Code	Description
	SHP	Bright Polished Silver
	BL	Matte Black
	BNK	Anodized Brushed Nickel

1-800-STERLING (1-800-783-7546)

Kohler Co. reserves the right to make revisions without notice to product specifications.

For the most current Specification Sheet, go to [www.sterlingplumbing.com](http://www.sterlingplumbing.com).

9-21-2025 12:21 - US/CA



**Technical Information**

All product dimensions are nominal.

- Base-To-Wall 1/2" (13 mm)
- Radius – Max:
- Shower Ledge Min 2-1/8" (54 mm)
- Flat:
- Shower Wall Min 2-3/8" (60 mm)
- Flat:

**Notes**

The vertical opening should be a minimum of 72-1/4" (1835 mm) to allow for installation clearance.