

### Features

- Frameless design emphasizes glass and creates a sleek, minimalist look
- Back-to-back 12" (305 mm) vertical handles
- Tempered glass ensures enhanced safety and durability
- CleanCoat®+ glass coating creates a hydrophobic barrier that repels water, soap scum, and residue, saving time and protecting shower doors 10 times longer than original CleanCoat. (Based on 2021 internal wear/abrasion testing using a microfiber cloth.)
- SealNetik™ full-length magnetic seal keeps door firmly closed, providing excellent water containment

### Material

- Frameless, 1/4" (6 mm) thick tempered glass
- Anodized aluminum prevents rust and corrosion

### Installation

- Fits opening widths 31-1/2" – 33" (800 – 838 mm)
- 67" (1702 mm) high, with no minimum head clearance restriction
- 1-1/2" (38 mm) width adjustment
- Out-of-plumb adjustability simplifies installation
- Door can be installed to open to the left or right to suit your bathroom layout
- Not for use in hospitality
- For residential use only



### Codes/Standards



ANSI Z97.1  
CAN/CGSB-12.1  
CPSC 16CFR 1201

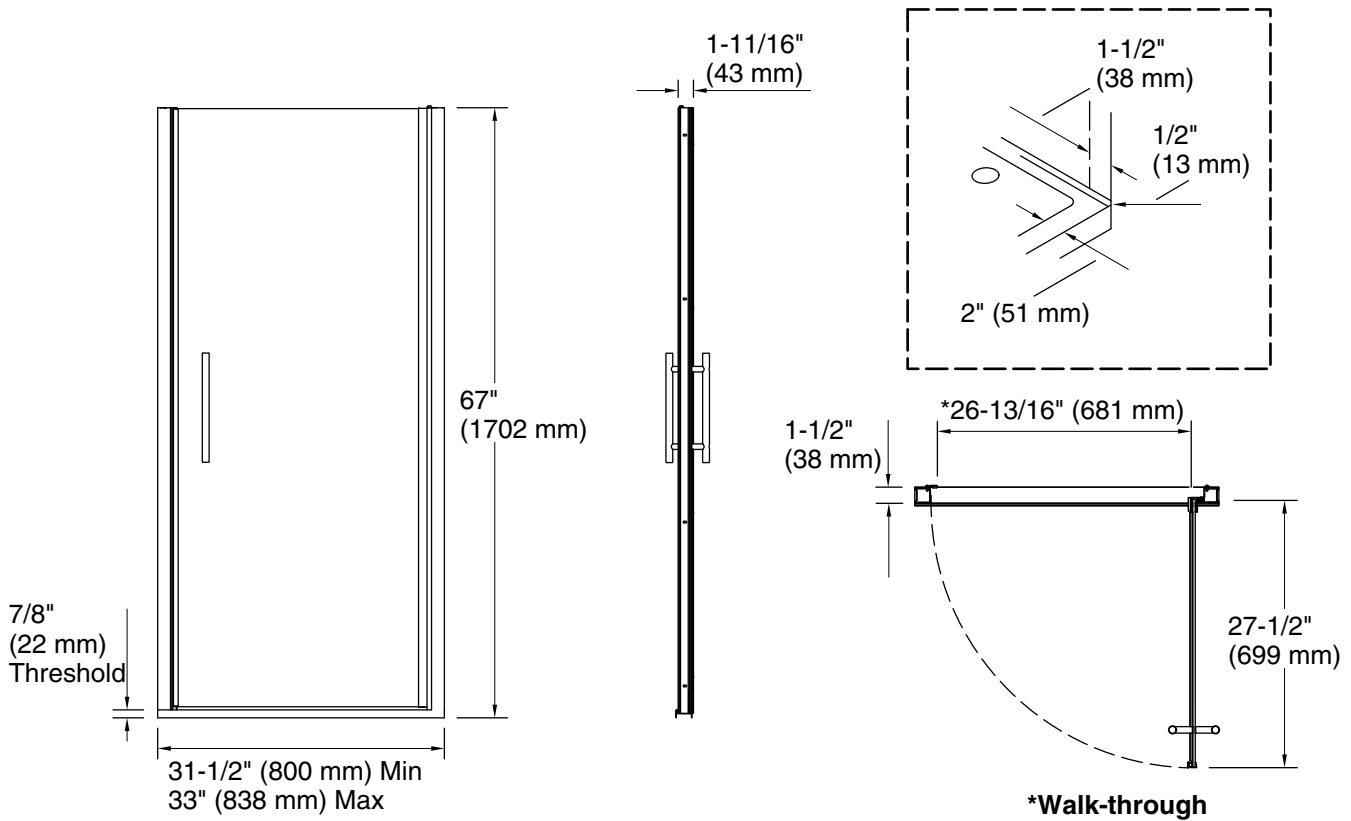
### STERLING® Bath and Shower Doors Five-Year Limited Warranty

See website for detailed warranty information.

### Available Colors/Finishes

*Color tiles intended for reference only.*

Color	Code	Description
	SHP	Bright Polished Silver
	BNK	Anodized Brushed Nickel
	BL	Matte Black



**Technical Information**

All product dimensions are nominal.

- Base-To-Wall            1/2" (13 mm)
- Radius – Max:
- Shower Ledge Min    2" (51 mm)
- Flat:
- Shower Wall Min     1-1/2" (38 mm)
- Flat:

**Notes**

Install this product according to the installation guide.

The vertical opening should be a minimum of 67" (1702 mm) to allow for installation clearance.