

# KOHLER®

新悦  
安装说明书  
INSTALLATION INSTRUCTIONS  
一体超感座便器  
INTEGRATED TOILET  
K-4026T

## BEFORE YOU BEGIN

- Please read these instructions carefully to familiarize yourself with the required tools, materials, and installation sequences. Follow the sections that pertain to your particular installation. This will help you avoid costly mistakes. In addition to proper installation, read all operating and safety instructions.
- All information in these instructions is based upon the latest product information available at the time of publication. Kohler China reserves the right to make changes in product characteristics, packaging, or availability at any time without notice.
- These instructions contain important care, cleaning, and warranty information - **please leave instructions for the consumer.**
- We appreciate your commitment to Kohler quality. Please take a few minutes to review this manual before you start installation. If you encounter any installation or performance problems, please don't hesitate to contact us. Thanks again for choosing Kohler Company.

## 安装之前

- 请小心详阅本指引。以便熟悉所需工具、物料及安装程序。请遵照适用的章节来安装你的座便器，以避免由于安装失当而导致不必要的损失。除了有关正确的安装方法之外，还务请详阅所有操作及安全指引。
- 本指引所载之一切资料，均以印刷时所有之最新产品情况为基础，科勒中国保留权利随时更改产品特性、包装或供应情况，恕不另行通知。
- 本指引也包含了有关护理、清洁及保养等重要资料 - 请交予用户保存。
- 我们感谢您对科勒质量的信任。在您开始安装之前，请您花上几分钟时间来阅读这本手册。如果您在安装或性能方面遇到任何问题，务必请您与我们联系。再次感谢您选择科勒公司。

## ORDERING INFORMATION

Integrated Toilet .....K-4026T  
Includes Remote Controller Assy.....1106433


## 订购资料

新悦一体超感座便器.....K-4026T  
含遥控器组件.....1106433

## NOTES

 **DANGER: Risk of electric shock.** Disconnect power before servicing.


 **WARNING: Risk of electric shock.** Connect only to circuits protected by Ground-Fault Circuit-Interrupters (GFCI's) or Earth-Leakage Circuit-Breakers (ELCB's).

 **CAUTION: Risk of hazardous gases.** If a new toilet is not installed immediately, temporarily place a rag in the floor flange opening.

**NOTICE: Follow all local plumbing and electrical codes.**

**NOTICE:** Receptacles installed in bathrooms to be located at least 1 meter from a bathtub or shower if practical, but in no case less than 500 mm.


- Observe all local plumbing and building codes.
- Carefully inspect the new toilet for damage.
- Water and electrical supplies may be wall mounted.
- There is a wiring schematic on inside of the of the junction box cover.


 **WARNING: Risk of electric shock for hardwire installations/through-floor electrical supply:** Connect only to properly-grounded, dedicated 220~240V, 16A, 50Hz circuit protected by a Class A Ground-Fault Circuit-Interrupter (GFCI) or Earth-Leakage Circuit-Breaker (ELCB).

 **WARNING: Must use 16A receptacle.**

## 注意

 危险：存在触电危险。操作前应切断电源。


 警告：存在触电危险。只可连接至带接地故障断路器（GFCI）或接地漏电断路器（ELCB）保护的电路中。

 谨慎：存在有害气体的危险。如果新座便器不能立即安装，可在地面法兰孔上临时遮盖一块旧布。

注意：遵守所有的本地管道安装和电气规程。

注意：安装在浴室内的插座位置距离浴缸或淋浴喷头至少应为一米，但在任何情况下均不得小于500毫米。

- 遵守所有的本地管道安装规程和建筑规范。
- 仔细检查新座便器有无损坏。
- 电源和水管应采用墙式安装方式。
- 接线盒盖的内侧有一张布线简图。

 警告：产品存在电击的危险。本产品只可连接到良好接地，电路要求为220~240伏特，16安培，50赫兹的电路，此电路必须带接地故障断路器或接地漏电断路器。

 **警告：必须使用16安培的插座。**

上海科勒电子科技有限公司  
中国上海浦东新区金滇路18号E幢 邮编：201206

## TOOLS AND MATERIALS REQUIRED (Not supplied)

- Adjustable Wrench × 2
- Tape measure
- Masking tape
- Knife
- Supply stop(with filter)
- Assorted screwdrivers
- Plastic anchor
- Screw
- T-Bolts
- Flange

### Note:

Plastic Anchor: Recommend use outside dia  $\varnothing 10\text{mm}$ .

Screw: Recommend using M6 screw to match the plastic anchor.

## 所需工具及材料（不随货供应）

- 活络扳手 × 2
- 卷尺
- 生料带
- 美工刀
- 供水阀（带过滤网）
- 各种螺丝刀
- 尼龙锚栓
- 螺丝
- T形螺栓
- 法兰盘

### 注意:

尼龙锚栓：推荐使用外径 $\varnothing 10\text{mm}$ 的产品。

螺丝：推荐使用与锚栓相配的M6螺丝。

## ROUGHING-IN

## 尺寸图

Reference Value  
参考值

Unit: mm  
单位: 毫米

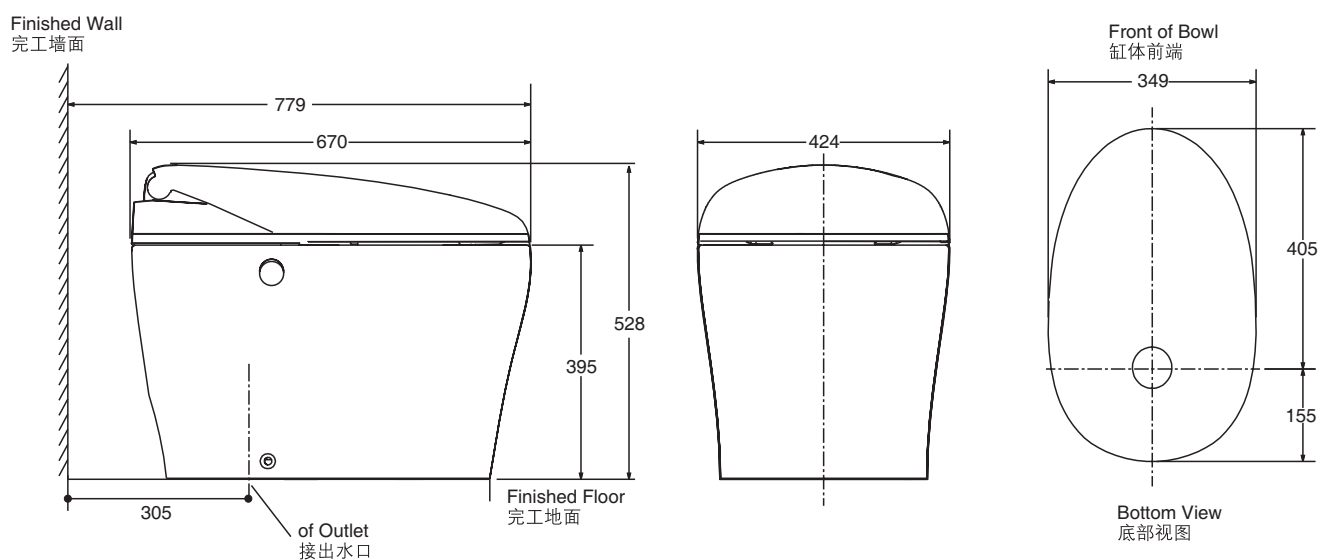


Fig.#1  
图1

科勒公司保留随时变更图中标示尺寸的权利，无需另行通知。  
Kohler reserves the right to change marked dimensions without prior notice.

## SPECIFICATIONS

## 规格

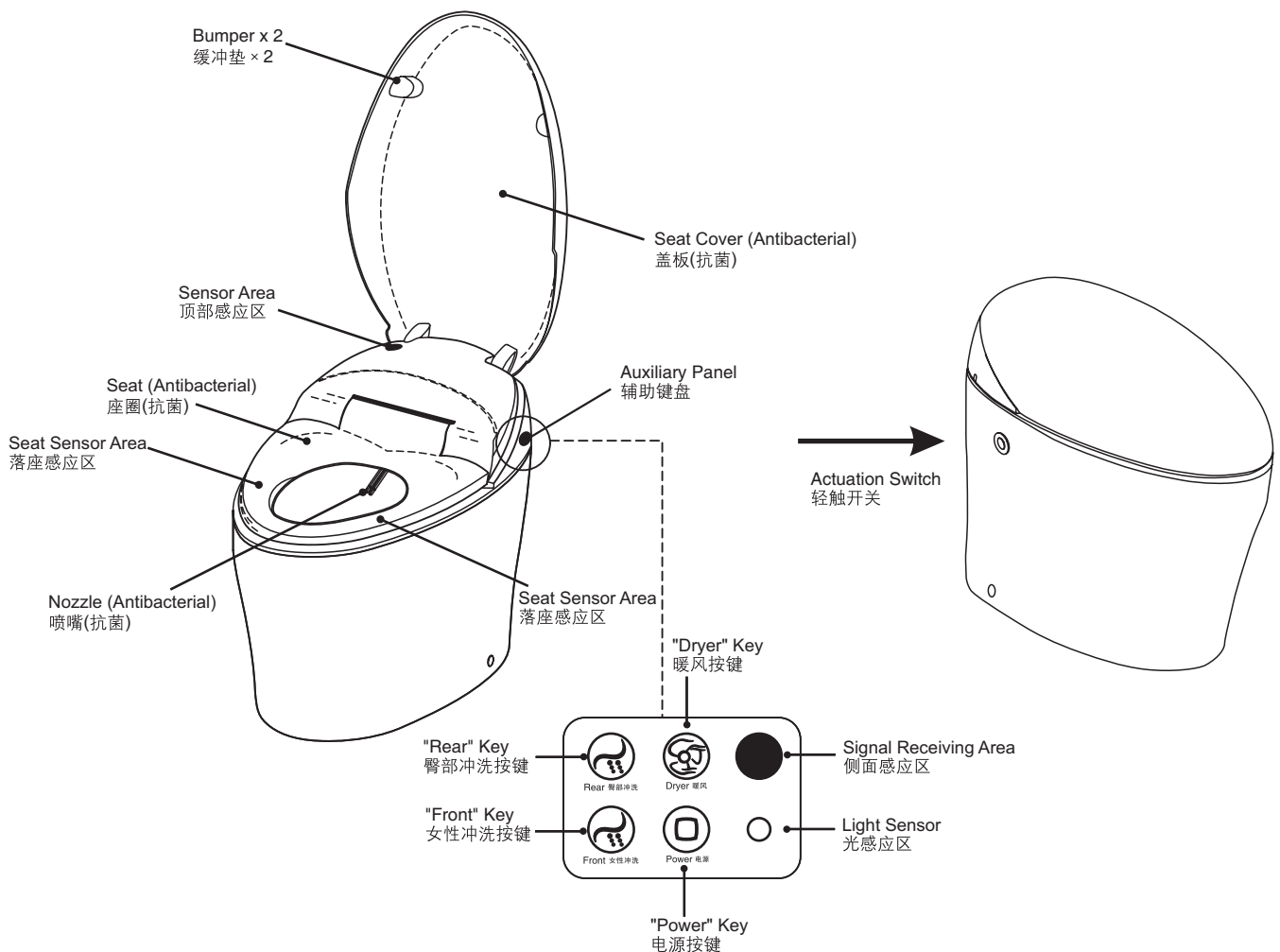
Flushing Volume	4.8L
Minimum Distance from Hole to Wall	305mm
Water Supply Pressure	0.7kgf/cm <sup>2</sup> (Dynamic Pressure) ~ 7.5 kgf/cm <sup>2</sup> (0.07MPa. (Dynamic Pressure) ~ 0.74MPa.)
Electrical Power	220~240V 50Hz 1800W
Power Cord Length	About 1.5m
Outline Dimension of Product	670mm x 424mm x 528mm
Product Weight	About 46Kg
Operation Environment	0~40 °C
冲水量	4.8L
最小使用坑距	305mm
供水水压	0.7kgf/cm <sup>2</sup> (动压) ~ 7.5 kgf/cm <sup>2</sup> (0.07MPa. (动压) ~ 0.74MPa.)
规格	220~240V 50Hz 1800W
电源线长度	约1.5m
产品外型尺寸	长670mmX 宽424mmX 高528mm
产品重量	约46kg
使用环境温度	0~40 °C

**Note:** See "Homeowner's Guide" for detailed specifications of the bidet seat.

注意：智能盖板规格详见用户手册。

## SIMPLIFIED DIAGRAM OF THE UNIT

## 整体简图



## INSTALLATION

## 安装

### A. To Remove Existing Toilet

Turn off the water supply. Flush the toilet, and use a sponge to remove the remaining water from the tank and bowl. Disconnect the supply shut-off valve (if present), and remove the old tank and bowl.

Remove old gasket from the floor and closet flange with a putty knife. Remove old T-bolts and discard them.

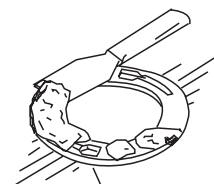
**NOTICE:** if a new toilet is not installed immediately, temporarily stuff a rag in the closet flange.

### A. 拆除旧座便器

关掉供水源，给座便器冲水，用海绵吸去座便器内的剩余水份，除下供水管止水阀(如果有)，移开旧水箱和座便器。

用涂油灰刀拆除地上的旧密封垫圈及座便器法兰盘，拆除及扔掉旧的T型螺栓。

注意：如果不能即时安装新座便器，请用碎布暂将法兰盘堵住。



Closet Flange  
法兰盘

Fig.#2  
图2

### B. Roughing-In

**DANGER: Risk of electric shock.** Disconnect power before servicing.

**NOTE:** This product is designed to work with wall mounted electrical and water supplies. It is shown in the roughing-in.

**WARNING: Risk of electric shock.** Connect only to circuits protected by Ground-Fault Circuit-Interrupters (GFCI's) or Earth-Leakage Circuit-Breakers (ELCB's).

Keep bath and shower away from electrical parts (such as remote controller, receptacle, audio input apparatus and so on).

When the electrical supply is mounted on the wall, a GFCI or ELCB protected and water proof receptacle is required.

Follow the dimensional information exactly when installing a hardwire electrical supply.

### B. 安装尺寸

**危险：**存在触电危险。安装前应切断电源。

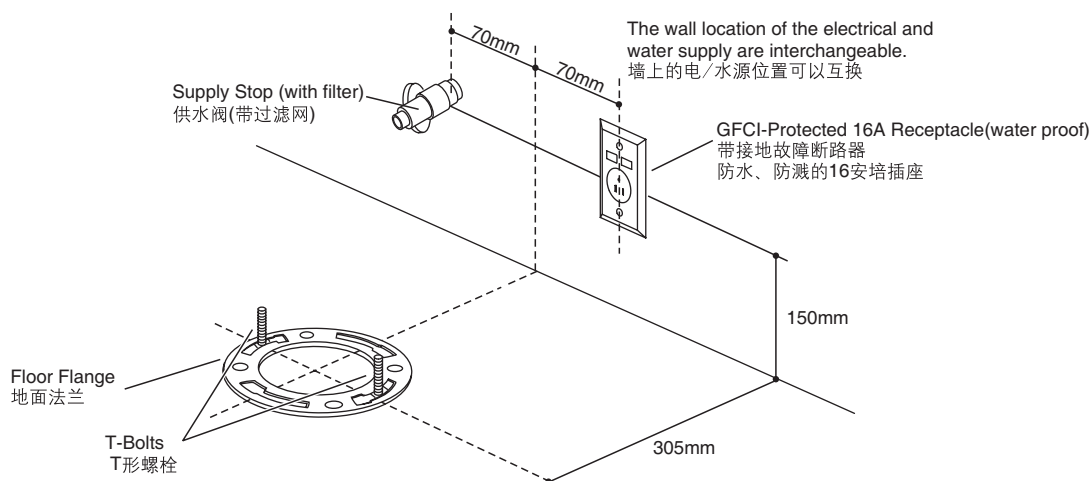
注：本产品设计可安装于墙上式电源和水路管。安装方式在尺寸图中有标示。

**警告：**存在触电危险。只可连接至带接地故障断路器(GFCI)或接地漏电断路器(ELCB)保护的电路中。

浴缸与花洒位置请远离带电部件(如遥控器、电源插座、音频输入器等)。

如果是墙上式电源，需要使用带接地故障断路器(GFCI)或接地漏电断路器(ELCB)保护的防水、防溅插座。

安装硬电线电源时应严格遵守尺寸图上的信息操作。



## C. Install the Electrical Service and Water Supply

**⚠ DANGER: Risk of electric shock.** Disconnect power before servicing.

**⚠ DANGER: Risk of electrical shock. For plug-in installations/wall-mounted electrical supply:** Connect only to a properly-grounded, grounding-type receptacle which is protected by a Ground-Fault Circuit-Interrupter (GFCI). Do not remove the grounding pin or use a grounding adapter.

**⚠ DANGER: Risk of electrical shock. For hardwire installations/through-floor electrical supply:** Connect only to a properly-grounded, dedicated 220~240V, 16A, 50Hz circuit protected by a Class A Ground-Fault Circuit-Interrupter (GFCI) or Earth-Leakage Circuit-Breaker (ELCB).

### Install the Electrical Service

**NOTE:** This product is designed for installation with the electrical supply located through the wall. Both types are illustrated. Refer to the dimensional information for your chosen installation.

Follow the dimensional information exactly when installing a hardwire electrical supply.

### Install the Water Service

**NOTE:** This product is designed for installation with the water supply located through the wall. Both types are illustrated. Refer to the dimensional information for your chosen installation.

**NOTE:** A floor mounted water supply stop must be no higher than 70mm from the floor.

Install the water supply. If you are installing a floor supply, study the dimensional information illustrated carefully.

## C. 安装电源和水源

**⚠ 危险：存在触电危险。**操作前应切断电源。

**⚠ 危险：存在触电危险。**仅适用于插入式安装/墙面式电源，只可连接至带接地故障断路器(GFCI)保护的电路中。勿取走接地插脚，或选择使用接地适配器。

**⚠ 警告：产品存在电击的危险。**本产品只可连接到良好接地，电路要求为220~240伏特，16安培，50赫兹的电路中，此电路必须带接地故障断路器或接地漏断路器。

### 安装电源

注意：本产品设计可安装于墙上式电源。安装方式在尺寸图中有标示。

安装硬电线电源时应严格遵守尺寸图上的信息操作。

### 安装水源

注意：本产品设计可安装于墙上式水源。安装方式在尺寸图中有标示。

注意：安装于地面的止水阀不得高出地面70mm以上。

安装水源时应仔细阅读尺寸图。

## D. Install the T-Bolts

Install two new 8mm (5/16") diameter T-bolts into the floor flange.

Do not use white cement or high lime content cements to install this toilet. The expansion of cement due to a rise in temperature may make the toilet crack or cause damage. Kohler is not responsible for any damage caused by installation with the use of cement.

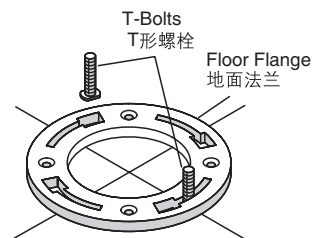


Fig.#3  
图3

## D. 安装T形螺栓

安装两枚直径8mm (5/16")的新T型螺栓在法兰盘上。

安装本座便器时切勿使用白水泥或高石灰含量之水泥，因水泥的热膨胀可能使座便器的脚部挤破或损坏。科勒对所有因水泥安装而引致的座便器破裂恕不负责。

## E. Install the Wax Ring

Place the wax ring in the putty ring located on the tank.

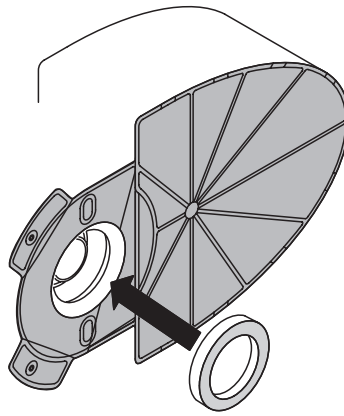


Fig.#4  
图4

## E. 安装蜡封

将蜡封放在位于水箱上的油灰环内。

## F. Position the Tank

Remove the outlet gasket.

Mark the centerline on the floor.

Align the tank over the floor flange.

Lower the tank onto the floor flange. The T-bolts should align with the mounting slots in the base of the tank.

Carefully align the tank on the centerline.

Position the tank on the T-bolts.

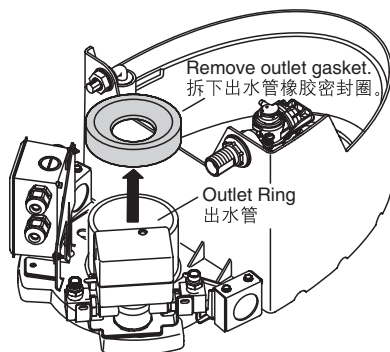
**CAUTION: Risk of product damage.** Do not push down on any part of the tank assembly other than the cylinder. Damage may occur.

Press down on the outlet pipe of the tank where the gasket was mounted. Do not press anywhere else on the tank Assembly.

**CAUTION: Risk of product damage.** Do not rock or lift the tank after placement. The seal created by the wax ring may be broken, resulting in leaking.

Replace the gasket onto the outlet pipe of the tank..

Position the loose end of the refill tube out the outlet ring.



## F. 确定水箱位置

拆下出水管橡胶密封圈。

在地面上作好中心线的标记。

在地面法兰上方对准水箱位置。

放下水箱，置于地面法兰上。T形螺栓应对准水箱底部的安装槽。

将水箱与中心线仔细对准。

将水箱放在T形螺栓上。

**谨慎：存在产品损坏的危险。** 不要下压水箱组件中除缸体以外的部件。可能产生损坏。

将装有橡胶密封圈的水箱的出水管部位向下压。不要下压水箱组件的其它部位。

**谨慎：存在产品损坏的危险。** 放置后不得摇动或提起水箱。由蜡封产生的密封可能受到破坏，从而导致漏水。

重新将橡胶密封圈装到水箱上的出水管。

将注水管未拧的一端放在出水管外。

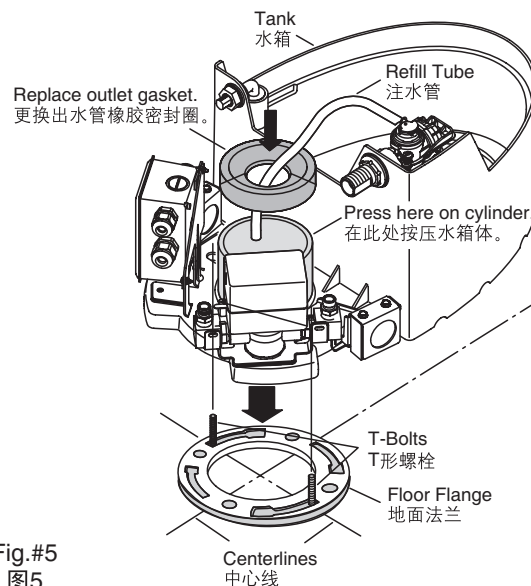


Fig.#5  
图5

### G. Secure the Tank

**CAUTION: Risk of product damage.** Do not overtighten the mounting nuts. Do not shorten the T-bolts.

Place a washer on each T-bolt.

Thread a nut onto each T-bolt.

Hand tighten the nuts.

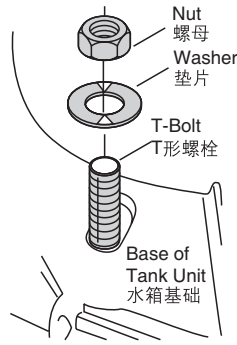


Fig.#6  
图6

### G. 固定水箱

**谨慎：**存在产品损坏的危险。不要将安装螺母拧得太紧。不要切短T形螺栓。

在每个T形螺栓上放一枚垫片。

在每个T形螺栓上拧一个螺母。

用手拧紧螺母。

### H. Connect the Water

**IMPORTANT!** If this installation replaces an existing toilet, a hose other than the one shipped with the water supply may be used. Use a stainless steel, burst-resistant hose.

Connect the water.

Open the shut-off valve.

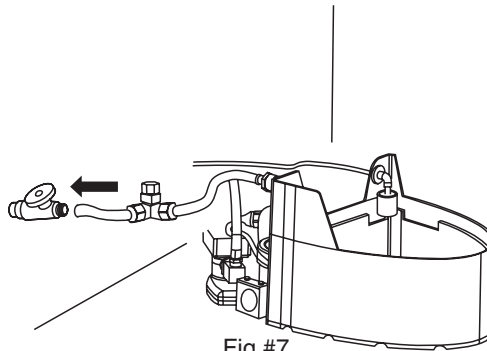


Fig.#7  
图7

### H. 连接水管

**重要提示！**如果拆除旧座便器后再安装，也可使用其他软管。可使用不锈钢防爆裂软管。

连接水管。

打开止水阀。

### I. Check the Waterline

**NOTE:** The waterline is a notch in the inside of the tank, marked with a label.

Turn on the water supply.

Open the motorized valve by sliding the lever back into the open position.

Verify the inlet valve is set to the correct waterline. Adjust if needed.

To adjust the waterline, use a flathead screwdriver to gently turn the adjustment rod counterclockwise to lower and clockwise to raise the waterline setting.

**IMPORTANT!** The valve will not operate if the valve is locked.

Return the lever back into the unlocked position.

Stop the shut off value.

### I. 检查水位线

注：水位线是水箱内带有标记的一个凹槽。

打开供水阀。

将控制杆回滑至开启位置内，打开电动阀。

确认进水阀设置在正确的水位线。按需进行调整。

如要调节进水阀，可使用一字螺丝刀，逆时针方向轻轻转动调节杆，降低水位线设置，或顺时针转动，提高水位线设置。

**重要提示！**如果阀门被锁定，则不能操作阀门。

将控制杆返回至打开位置。

关上止水阀。

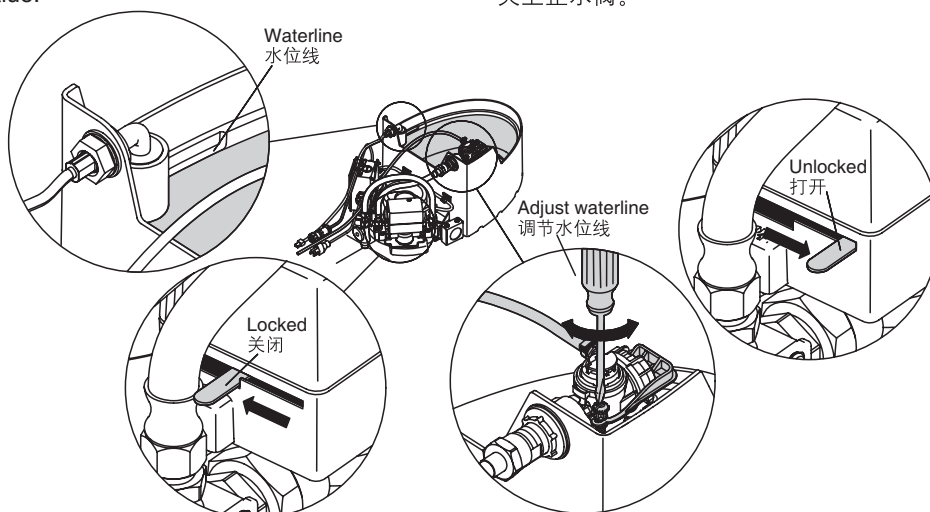


Fig.#8  
图8

J. Remove cap on Tee Connector of flexible hose.

J. 卸下供水软管中三通上的密封帽。

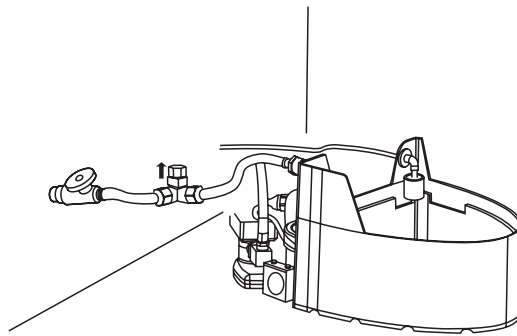


Fig.#9  
图9

**K. Install the Collar**

**K. 安装轴环**

Place the wiring harness plug, level switch wire, and refill tube on the floor so they extend out the rear access opening.

在地面上放置电线硬插头、水位线控制开关电线和注水管，使其伸出后检修孔。

Tape them to the floor so they will not be pinched or damaged.

用胶带将其粘在地上，防止受到夹紧或损坏。

Install the collar onto the tank.

将轴环安装在水箱上。

Clip the spray shield into place over the fill valve.

夹住防溅板，放在注水阀上方。

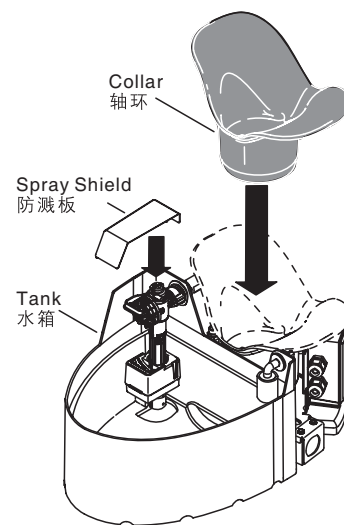
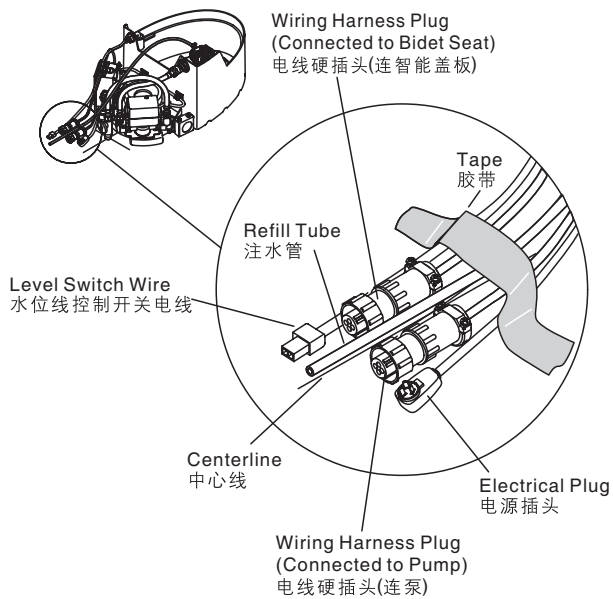


Fig.#10  
图10



## L. Install the Vitreous Shell

**WARNING: Risk of personal injury.** The vitreous shell weighs 35 kg. Use proper lifting technique when handling the vitreous shell.

**CAUTION: Risk of product damage.** Do not set the shell down hard. Gently lift and move the shell if it is not placed correctly. If handled harshly, the shell may chip or break.

Carefully pick up the vitreous shell and place it over the tank.

Make sure the trapway seats fully in the outlet gasket. If the vitreous shell does not sit evenly on the floor, the trapway is not properly seated.

Make all adjustments gently until the trapway is properly seated.

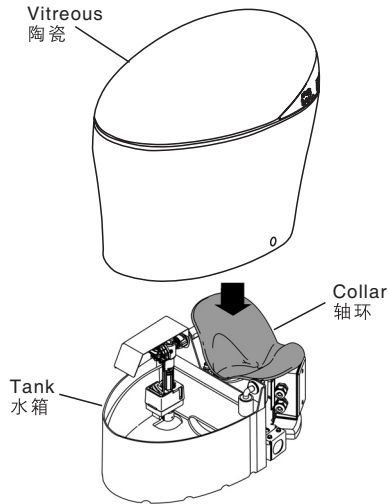


Fig.#11  
图11

## L. 安装陶瓷外壳

**警告：**存在人员受伤的危险。陶瓷外壳重达35千克。搬运陶瓷外壳时，应使用适当的提升工具。

**谨慎：**存在产品损坏的危险。向下放置陶瓷外壳时不要用力过大。如果外壳未能放置到位，应轻轻提起和移动。如果操作粗糙，外壳可能被压碎或开裂。

小心地抬起陶瓷外壳并将其放在水箱上。

确保排污通道完全置于出水垫圈内。如果陶瓷外壳不能均匀置于地面上，则排污通道不能正确到位。

轻轻地进行各种调节，直至排污通道正确到位。

## M. Connect the Wiring flexible hose of bidet seat to Tee Connector

**WARNING: Risk of personal injury.** Make sure the plug (if plug-in connection is used) and receptacle are dry. If any moisture is present, allow the area to dry before plugging the unit in.

If plug-in connection is desired, plug the pump in.

Connect the refill tube.

Connect the wiring harness.

Connect the level switch.

Plug the bidet seat in.

## M. 连接电线和电子盖板的进水管到三通上

**警告：**存在人员受伤的危险。确保插头(如果使用插入式连接)和插座处于干燥状态。如果存在任何潮湿，在插入之前应使该区域变干。

如果需要插入式连接，将泵插上插头通电。

连接注水管。

连接线束。

连接水位线控制开关。

连接电子盖板的电源线。

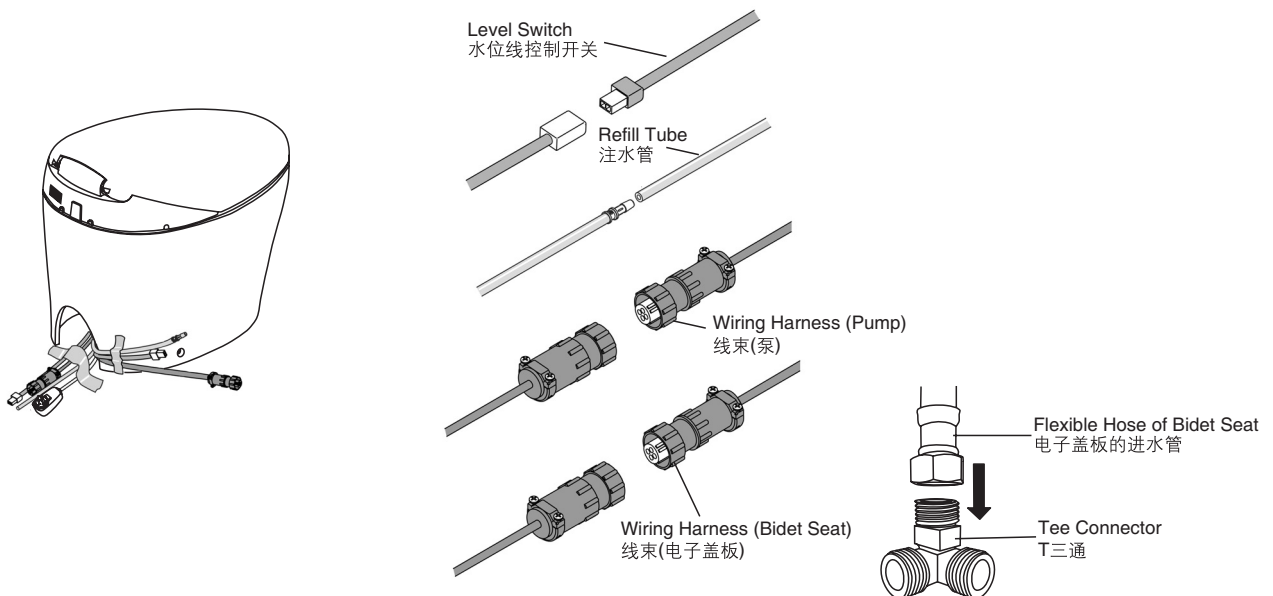


Fig.#12  
图12

## N. Check Operation

**NOTE:** The flushing mechanism works best if it is quickly tapped, not held down for an extended period of time.

**NOTE:** There is an approximate eight-second delay between the flush and the tank refilling.

Flush the toilet and check for proper operation.

Refer to "Homeowner's Guide" to check whether the bidet seat functions well.

Refer to the troubleshooting chart if the toilet does not function properly.

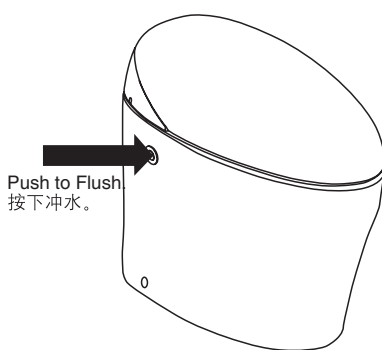


Fig.#13  
图13

## N. 检查操作

注：快速打开角阀至最大位置。

注：冲水和水箱注水之间约有八秒钟的延迟。

冲洗座便器，检查操作是否正确。

按照用户手册检查智能盖板各项功能是否运作正常。

如果座便器未能正确工作，参阅故障检修表。

## O. Secure the Vitreous Shell

**CAUTION: Risk of product damage.** Do not overtighten the screws when tightening. The vitreous shell may chip or break if the screws are overtightened.

Insert a screw through both grommets.

Insert a screw in both of the provided holes and tighten. Do not overtighten.

Place a cap over each screw. The caps should be flush with the exterior of the shell.

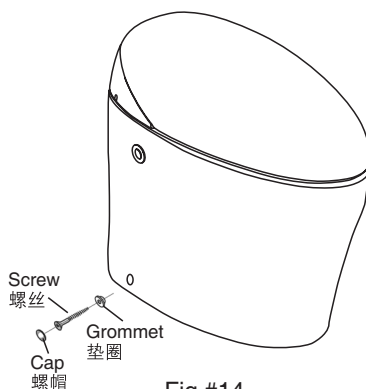


Fig.#14  
图14

## O. 固定陶瓷外壳

**谨慎：**存在产品损坏的危险。拧螺丝时不要拧得太紧。如果螺丝拧得太紧，陶瓷外壳可能被压碎或开裂。

插入一个螺丝，在其两端均放置垫圈。

在两个孔内各插入一个螺丝并拧紧。不要拧得太紧。

在各个螺丝上盖上一个螺帽。螺帽应与外壳的外部平齐。

## COMPLETE THE INSTALLATION

## 完成安装

**NOTE:** Do not caulk the access cover to the floor.

Cut a recess in the access cover using a utility knife at the spot marked on the access cover.

Place the access cover over the opening in the back of the toilet.

Caulk around the base of toilet. Do not caulk the area where the access cover meets the floor.

注：不要填堵检修盖与地面间的缝道。

可在检修盖上做过标记的点上用美工刀在检修盖上切割一个凹口。

将检修盖置于座便器背后的开口上方。

填堵座便器底部四周的缝道。检修盖与地面相交区域的缝道不要填堵。

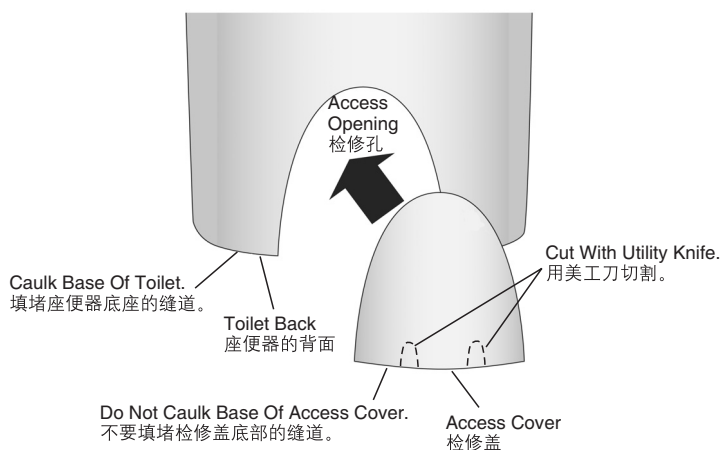


Fig.#15  
图15

## INSTALLATION OF REMOTE CONTROLLER HOLDER 安装遥控器支架

**NOTE:** If the wall for installation is made of special material (such as wood board, density board and etc.), suitable fixing methods shall be adopted.

注意：如果安装墙面是特定材料（比如木板、密制板等）时，使用合适的固定方法。

**NOTE:** The place to install the remote controller shall not be easily splashed by water.

注意：遥控器的安装位置应该是不易被水淋到的地方。

Choose a mounting location for the remote holder that is easily accessible while sitting on the seat.

选择一个合适地方安装遥控器支架，这个地方应该是当你坐在座便器上时很容易用手容易操作遥控器。

Drilling two holes with depth larger than 45mm on the wall by drill with a diameter of 6mm in accordance with the position of screw holes on the remote control holder. Installing the expansion tube into the holes.

根据遥控器支架螺钉孔的位置，用直径6mm的钻头在墙上钻两个深度大于45mm的孔。在孔中装入膨胀管。

Placing the installation holder on the fixing hole.

将安装支架在放置固定孔上。

Peeling off the release paper of double-sided tape at the back of holder.

将支架背面双面胶离型纸撕掉。

Fixing the holder with screws and install it.

用螺钉固定安装支架。

Installing the screw covers on the screws.

把螺钉盖装在螺钉上。

Placing the remote controller on the holder.

把遥控器放在支架上。



Fig.#16  
图16

### Installation Steps:

### 安装步骤:

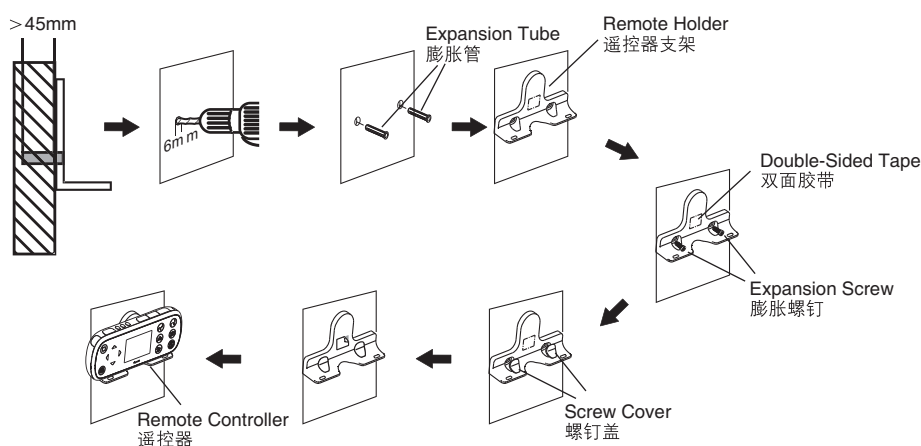


Fig.#17  
图17

## PREPARATIONS BEFORE THE FIRST USE 初次使用前准备

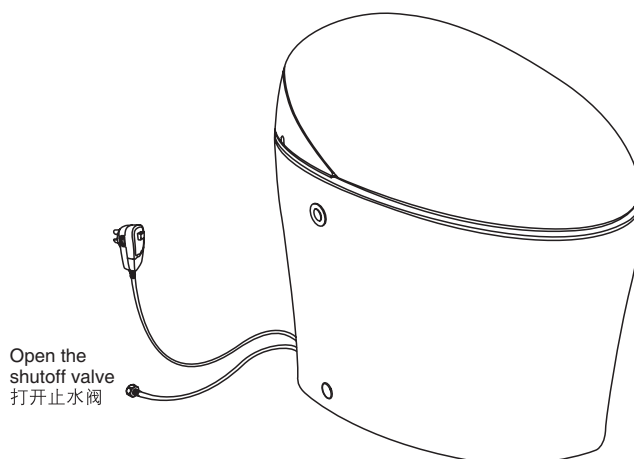


Fig.#18  
图18

Confirm that the battery has been correctly installed in the "remote controller".

确认“遥控器”内已正确装入电池。

Confirm that there is no obstacle in front of the product.

确认产品正前方没有障碍物。

Wait for the host to finish the self-checking. During that time, it is normal to hear rotating sound of the motor and bicker. Self-checking completed when the light light flashes.

等待主机完成自检。期间可听到电机的转动声和流水声，均属正常。当夜灯闪烁时，自检结束。

Press the power key on the auxiliary panel at the side of the seat; confirm that the seat is in the state of power on. (When pressing the key, the long sound stands for power off while the short one for power on.)

按座便盖侧面辅助键盘上的电源键Ⓞ，确认座便盖处于开机状态。(按键时长音为关机，短音为开机)

When it is used for the first time, it is in the state of default value:

初次使用时为出厂设置状态:

### Front Wash:

- Water Temperature: mid
- Pressure: mid
- Position: Level 4

### Seat Temperature: mid

- Wind Temperature: mid
- Energy Saving Mode: 6H
- Presetting: Empty

### Rear Wash:

- Water Temperature: mid
- Pressure: mid
- Position: Level 4

### Function of Auto Lid-Turning: On

- Function of Auto Flushing: On
- Night Light: On

### 女性冲洗:

- 水温: 中档
- 水流强度: 中档
- 冲洗位置: 第4档

### 圈温: 中档

- 风温: 中档
- 节能模式: 6H
- 预设设置: 空

### 臀部冲洗:

- 水温: 中档
- 水流强度: 中档
- 冲洗位置: 第4档

### 自动翻盖功能: 开

- 自动冲水功能: 开
- 夜灯: 开

## TROUBLESHOOTING

This troubleshooting guide is for general aid only. A Kohler Authorized Service Representative or qualified electrician should correct all electrical problems. For warranty service, contact your dealer or wholesale Distributor.

SYMPTOMS	PROBABLE CAUSES	RECORRECTIVE ACTION
1. The toilet does not flush.	A. Various.	A. Perform the troubleshooting steps below.
2. The toilet randomly flushes 2 Times.	A. The tank is overfilling.	A. Immediately perform the troubleshooting steps or turn the water off. Turn the water back on when troubleshooting.
3. The toilet flushes 3 times, then operates normally.	A. The fill valve is not turning off. B. The motorized valve is not Closing.	A. Repair or replace the fill valve. B. Repair or replace the motorized valve.
4. The toilet flushes 5 times.	A. The level switch has an intermittent connection. B. The level switch is stuck in the up position. C. The level switch is not properly connected. D. The level switch does not move Freely.	A. Repair or replace the level Switch. B. Repair or replace the level Switch. C. Reconnect the level switch Properly. D. Replace the level switch.
5. The toilet fails to flush.	A. There is a problem with the Wiring. B. The GFCI or ELCB is tripped. C. There is a problem with the pump connection. D. The actuation switch is not properly connected. E. The level switch is not properly connected. F. The pump assembly does not Work. G. The actuation assembly does not work.	A. Check the wiring and connect the power. B. Reset the GFCI or ELCB (if Applicable). C. Check the pump connection. D. Check the actuation switch Connection. E. Check the level switch Connection. F. Replace the pump assembly. G. Replace the actuation assembly.
6. Bidet seat does not function.	A. A power failure occurred. B. The power cord is disconnected or the plug has no power. C. Power cord suffers electricity leakage. Connector plug is not reset. D. The power is not switched on. E. You have not touched the seat sensing area. F. After power off but the prompt sound is not over, power on again.	A. Wait until the power is restored. B. Insert the power cord into an electrical outlet or check the power plug. C. Press the "Reset" icon on the plug. D. Press "Power" icon on the side. E. You have to sit inside the seat sensing area. F. After power off and wait for the end of the prompt sound, then power on.
7. The nozzle has no water out.	A. Seat does not detect user.  B. Water supply stop closed or inlet pipe is bent. C. Water supply screen plugged.	A. Adjust the sitting position. There should be no object between your skin and seat, such as trousers. B. Power off and solve the problem, power on. C. Clean the screen according to the installation guide.
8. No water flow.	A. The water supply stop is closed. B. The seat sensor is not detecting the user.	A. Open the water supply stop. B. See activating the seat information in the "Operation" section.
9. The water pressure is low.	A. The screen is clogged. B. Low supply pressure.	A. See the "Clean the Screen" section. B. Increase the pressure.
10. Water stops flowing from the spray wand before I am finished cleansing.	A. Five minute after pressing one of the spray icons, washing automatically stops. B. The seat sensor is not detecting the user.	A. Press the "Rear" or "Front" icon again. B. See activating the seat information in the "Operation" section.
11. No auto opening or closing for seat cover or seat.	A. The user does not enter or depart from the induction range. B. "Function of Auto Opening and Closing" has been turned off.	A. Please use it correctly referring to "Lid Turning/ Seat Turning". B. Turn this function on referring to "Setting of Auto Opening and Closing Function".
12. Wash, Deodorizer, or Air functions operate when you press the icon while seat is not occupied.	A. The seat sensor is covered by an object or the seat is wet.	A. Remove any water or object from the seat sensor area.

13. Even though the seat is occupied, the spray function does not work.	A. The seat sensor may not be able to detect you depending on the way you are sitting.	A. Change the way you sit.
14. The hot blower stops during use.	A. Four minutes after pressing the "Air Speed" icon, blower automatically stops.	A. Press the "AIR TEMP" button again.
15. The deodorizing blower feature doesn't work.	A. The seat sensor is not detecting the user. B. Press "STOP"	A. See activating the seat information in the "Operation" section. B. Same as above.
16. The remote controller does not display.	A. The battery has been used up. B. The polarity of battery was installed inversely. C. No wake-up.	A. Please replace the battery. B. Please install the battery correctly. C. Press the wake-up key.
17. The remote controller does not work.	A. The remote controller is used in an inappropriate position or angle. B. Low battery. C. The sensing window of remote controller is sheltered or covered by dirt.	A. Change the using position or angle to make the sensing window towards the ceiling or the product's sensing window. B. Change the battery. C. Hold the remote controller properly or remove the shelter.
18. Flushing function is invalid.	A. The "Auto Flushing Function" has been turned off. B. It will not flush in 60 seconds after having pressed the key of "Manual Flushing" on remote control. C. The bidet seat and the toilet are not properly connected.	A. Turn the "Auto Flushing Function" on. B. Refer to "Toilet Flushing". C. Check and reconnect.

**To troubleshoot this toilet you must first:**

Unplug the toilet or turn off the power.

If needed, turn on the water supply.

Plug the toilet back in or turn the power back on.

**IMPORTANT!** When the power is turned on, the toilet may flush three times and then function correctly.

No action is needed if this happens.

Note the results (how many times the toilet flushes, whether it operates normally).

Consult the chart above. Perform the recommended action.

## 故障检修

本故障检修指南仅作一般帮助之用。科勒公司授权的服务代表或者合格电工应当能够解决所有的电气故障。如需了解担保服务，请联系您当地的经销商或批发商。

故障现象	可能原因	建议措施
1. 座便器不冲水。	A. 有多种。	A. 执行以下检修步骤。
2. 座便器偶尔冲水两次。	A. 水箱注水过满。	A. 立即执行检修步骤或关闭供水阀。检修时再打开供水阀。
3. 座便器冲水三次，然后正常工作。	A. 注水阀未关闭。 B. 电动阀未关闭。	A. 维修或更换注水阀。 B. 维修或更换电动阀。
4. 座便器冲水五次。	A. 水位线开关连接松动。 B. 水位线开关在上位受阻。 C. 水位线开关连接错误。 D. 水位线开关不能自由移动。	A. 维修或更换水位线开关。 B. 维修或更换水位线开关。 C. 重新正确连接水位线开关。 D. 更换水位线开关。
5. 座便器无法冲水。	A. 布线存在故障。 B. 接地故障断路器或接地漏电断路器跳闸。  C. 泵连接存在故障。 D. 轻触开关连接错误。 E. 水位线开关连接错误。 F. 泵组件损坏。 G. 轻触组件损坏。	A. 检查布线并接通电源。 B. 复位接地故障断路器或接地漏电断路器（如适用）。 C. 检查泵连接。 D. 检查轻触开关的连接。 E. 检查水位线开关的连接。 F. 更换泵组件。 G. 更换轻触组件。
6. 智能盖板不工作。	A. 停电。 B. 未接上电源线或插座无电。 C. 电源线漏电插头保护开关未复位。 D. 未开启产品电源。 E. 人体未进入座圈感应区域。 F. 电源断电后，提示音尚未结束，又一次接通电源。	A. 等到电力恢复。 B. 将插头插在插座上或检查电源插座。 C. 按下插头上的复位按钮。 D. 开启侧面的POWER键。 E. 进入座圈感应区域。 F. 电源断电后，等待提示音结束，然后接通电源。
7. 喷管不能出水。	A. 座圈未能感应到客户。  B. 供水阀关闭或进水管折弯。 C. 过滤网堵塞。	A. 调整坐姿。皮肤与座圈之间不能有物体隔开，如裤子等。 B. 关闭电源，排除供水故障，重新通电。 C. 依据安装指导清洗过滤网。
8. 无水流。	A. 供水阀已关闭。 B. 落座感应器没有探测到用户。	A. 打开供水阀。 B. 在“使用方法”部分查看激活座圈信息。
9. 冲洗水压小。	A. 过滤网阻塞。 B. 供水水压不足。	A. 查看“清洗过滤网”部分。 B. 提高水压到产品要求的水压范围。
10. 完成清洗前水就停止从喷嘴中喷出。	A. 连续冲洗5分钟，冲洗功能就停止。 B. 落座感应器没有探测到使用者。	A. 如需要，请再次按下冲洗按键。 B. 在“用户手册”中查看。
11. 不能自动开关盖板/自动关圈。	A. 用户没有进入或离开感应范围。 B. 遥控器“自动翻盖”功能已关闭。	A. 参考“翻盖/翻圈”请正确使用。 B. 参考“翻盖/翻圈”打开该功能。
12. 不使用时按下清洗按键，清洗功能启用。	A. 落座感应器被物体覆盖或座圈是湿的。	A. 擦拭落座感应器区域的水或异物。
13. 即使坐着，清洗功能也不起作用。	A. 当前的坐姿，落座感应器不能检测到用户。	A. 变换坐姿。
14. 使用过程中暖风风机停止工作。	A. 连续使用暖风功能4分钟，风机自动停止。	A. 再次按暖风按键。
15. 除臭风机不工作。	A. 落座感应器没有探测到用户。 B. 误按下停止键。	A. 在“使用方法”部分查看激活座圈信息。 B. 同上。
16. 遥控器无显示。	A. 电池电量耗尽。 B. 电池极性装反。 C. 没有唤醒。	A. 更换新电池。 B. 重新安装。 C. 按唤醒键。

17. 遥控器无法遥控座便器。	A. 使用遥控器的位置和角度不当。 B. 电池电量不足。 C. 遥控器的发射区域被遮挡，或有污物。	A. 改变使用位置和角度使遥控窗口对着天花板，或座便器的接收窗口。 B. 更换新电池。 C. 正确拿遥控器，或清除遮挡物。
18. 冲水功能无效。	A. 遥控器“冲水功能”设置为“关”。 B. 按下遥控器上“手动冲水”键后60秒内，不会自动冲水。 C. 智能盖板与座便器间的连接线连接不当。	A. 打开自动冲水功能。 B. 参考“便器冲水”。 C. 检查并重新连接。
<p>如要检修此座便器，您必须首先：</p> <p>拔下座便器插头或关闭电源。</p> <p>如有需要，打开供水阀。</p> <p>重新插好座便器插头或将电源重新接通。</p> <p><b>重要提示！</b> 加电后，座便器可能冲水三次，此后操作正常。如果出现该现象，则无需任何其他操作。</p> <p>观察加电后的结果(座便器冲水的次数，其操作是否正常)。</p> <p>咨询上表。按建议措施进行操作。</p>		


## IMPORTANT CONSUMER INFORMATION 用户须知

### CONSUMER RESPONSIBILITIES


If you live in a hard water area, make certain that the holes in the toilet rim are kept clean to ensure proper bowl flushing. Toilet bowl cleaners should be used at least once a week. Use a long-handled brush to clean the rim holes, and to clean as far into the trap as possible to prevent mineral deposits from forming.


Most toilet bowl cleaners are not harmful to the vitreous china surface of the toilet bowl. Please follow the bowl cleaner manufacturer's instructions carefully.

Do not use abrasive cleaners or solvents.

 **WARNING: Risk of property or product damage.** Do not use in-tank cleaners. Products containing chlorine (calcium hypochlorite) can seriously damage fittings in the tank. This damage can cause leakage and property damage.

Kohler Company shall not be responsible or liable for any damage to these tank fittings caused by the use of cleaners containing chlorine (calcium hypochlorite).

 **CAUTION: Don't use any cement while installing the toilet.** Heat expansion of the toilet may damage the feet of the toilet. Kohler will not be responsible for any damage because of using cement.

 **WARNING: Risk of product damage.** Do not throw into the toilet what is easy to block it, such as newspaper, paper pilch, sanitary towel. Do not bump the vitreous china with great force to prevent it from damaging and leaking. Do not use the product in the water below 0°C.


**Note:** Refer to "Homeowner's Guide" for the cleaning and maintenance of bidet seat.

### 用户责任


如果你居住地方的水质是硬性，你必须保持冲水孔清洁，令座便器冲水正常。每星期应最少使用座便器清洁剂清洁一次，用长把手的刷子清洁冲水孔，并尽量伸入排污管洗刷，防止矿物质积聚。


大部分厕所清洁剂都不会损坏座便器表面的釉面陶瓷，但烦请遵照座便器清洁剂生产商指引小心进行。

请勿使用腐蚀性清洁剂或溶剂。

 **警告：**提防楼宇受损或损坏产品。请勿使用水箱内用清洁剂，含氯(次氯酸钙)的清洁剂会严重破坏水箱内的装置，从而引起渗漏，或对楼宇结构造成损坏。

科勒公司对此类因使用氯(次氯酸钙)而引致的水箱装置损毁，概不负责。

 **警告：**在安装本座便器时切勿使用任何水泥。因为水泥的热膨胀可能使座便器的脚部挤破或损坏。科勒对所有因为水泥安装而引起的座便器破裂恕不负责。

 **警告：**提防损坏产品。请不要向便器内冲入新闻纸、纸尿裤、妇用卫生巾等容易堵塞的物品。请不要用重力撞击陶瓷，以防止破损漏水。

不要在0°C以下的水环境中使用。

**注意：**智能盖板的清洗和维护详见用户手册。