

Installation Guide

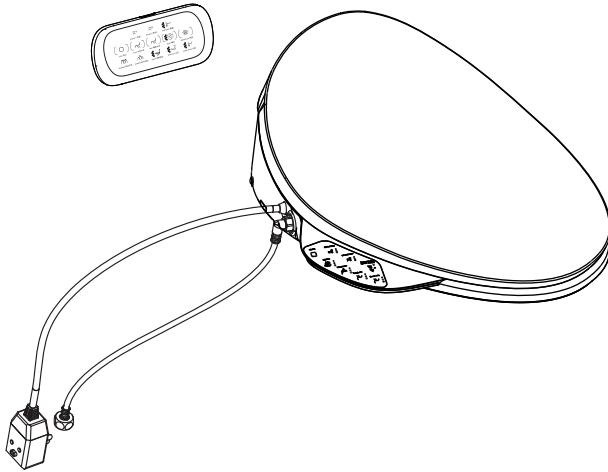
安装说明

Smart Seat

清舒宝智能便盖

C3-230

K-4108T-0



科勒（中国）投资有限公司

中国上海市静安区江场三路158号 邮编：200436

制造商：上海科勒电子科技有限公司

中国上海市宝山区丰翔路1955号 邮编：200444

中文简体页码 2-10

中文繁體頁碼 11-19

English page 20-29

한글 페이지 30-39

1223526-T01-H

KOHLER®

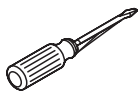
Thank You For Choosing Kohler Company

We appreciate your commitment to Kohler quality. Please take a few minutes to review this manual before you start installation. If you encounter any installation or performance problems, please don't hesitate to contact us. Thanks again for choosing Kohler Company.

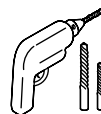
Tools and Materials



Adjustable
Wrench



Blade Screwdriver



Electric Drill and
matched drill bit

Before You Begin



WARNING: Risk of electric shock, fire, or personal injury.

This product must be grounded. Connect only to a dedicated 220V~, 50Hz, 10A circuit protected by Ground-Fault Circuit-Interrupter (GFCI) or Earth-Leakage Circuit-Breaker (ELCB).



WARNING: Risk of electric shock or product damage. Do not immerse or flush the product with water.

IMPORTANT! Risk of product damage. Do not plug in the seat until all other installation steps have been completed.

IMPORTANT! Risk of product damage. Do not install this seat in a location where water might be splashed on the product.

IMPORTANT! Risk of product damage. Do not install this seat in a location exposed to excessive moisture where condensation might form on the product surface. Please ensure sufficient ventilation in your surroundings to prevent possible damage to electronic components.

Before You Begin (cont.)

IMPORTANT! Risk of product or property damage. Pushing or pulling on the water connection may cause water leakage.

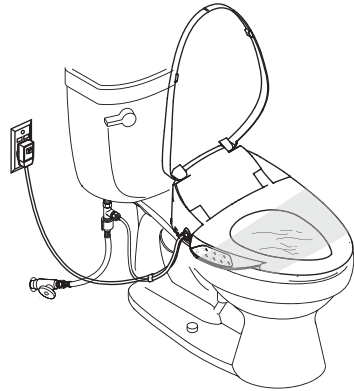
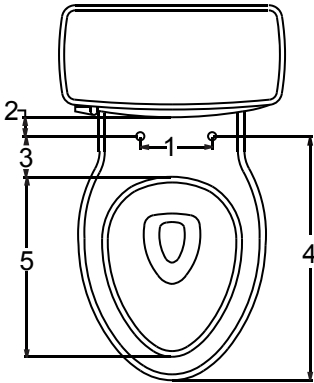
IMPORTANT! Risk of product damage. Do not apply excessive force to the spray wands. Product may break.

IMPORTANT! Risk of product damage.

Make sure the seat is positioned correctly so that it can be connected to the thread of the inlet pipe. Otherwise, the inlet pipe thread may wear off and lead to water leakage.

- Observe all local plumbing and building codes.
- All information in these instructions is based on the latest product information available at the time of publication. Kohler Co. reserves the right to make changes at any time without notice.
- Do not use an extension cord with the product.
- Min water pressure 0.07Mpa (dynamic pressure)
Max water pressure 0.74Mpa.
- Connect only to a cold water supply line carrying direct tap water.
- Unplug the seat and drain it, if the seat is not being used for an extended period of time.
- When install the product in the room, a stop valve shall be installed in a close proximity. For emergency circumstances, the water inlet valve shall be stopped without using any tools; otherwise unexpected failure may cause the loss to the customer.

1. Match toilet roughing-in requirements and installation tips



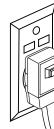
1. Distance between installation holes: 136 - 210mm.
2. Distance between installation holes and tank front rim: >20mm.
3. Distance between installation holes and bowl inner rim: <70mm.
4. Distance between installation holes and tank top rim: 460 - 490mm.
5. Bowl inner diameter: 370 - 390mm.
6. The distance between the seat and the plug should be maximum 1 meter.

2. Install an Electrical Outlet



WARNING: Risk of electric shock, fire, or personal injury.

This product must be grounded. Connect only to a dedicated 220V~, 50Hz 10A circuit protected by Ground-Fault Circuit-Interrupter (GFCI) or Earth-Leakage Circuit-Breaker (ELCB).



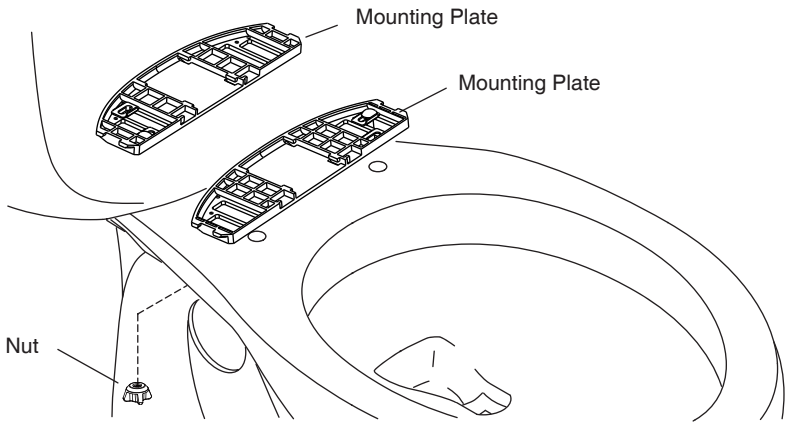
- It is recommended to use water-resistant socket. Do not use an extension cord with the product.

NOTE: Follow local codes when determining the electrical outlet location.

- Route the electrical and install to a 220V~, 50Hz 10A GFCI- or ELCB-protected receptacle.

3. Preparation

- Turn off the water supply to the toilet.
- Flush the toilet to relieve any pressure from the water supply hoses.
- Position a container under the fill valve to catch any excess water.
- Disconnect the water supply hose from the toilet fill valve.
- Remove the existing toilet seat.



4. Install the Mounting Plate

NOTE: Select the appropriate mounting plate according to the instruction for mounting distance on the mounting plate.

- Place the mounting plate in the mounting hole above the toilet.
- Screws should be inserted respectively into the washers.

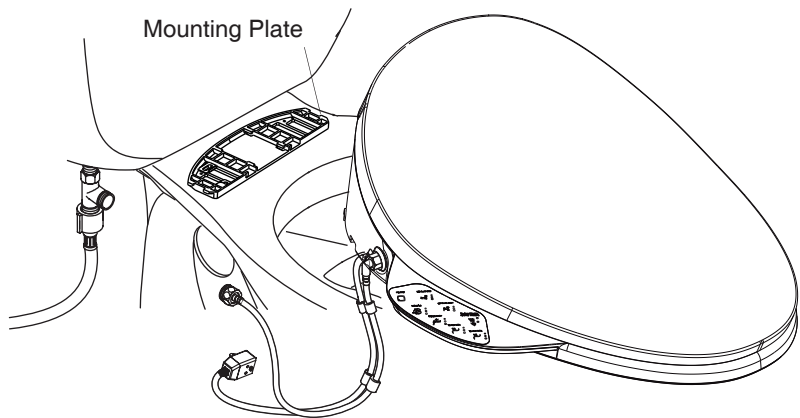
NOTE: Some toilets come with threaded inserts pre-installed in the mounting holes. For toilets with threaded inserts, the nut is not required.

For Toilets with Threaded Inserts:

- Insert a bolt through the mounting plate and position the washers so they rest in the grooves of the mounting plates. Please pay attention to washer direction.
- Loosely thread the bolts into the inserts. Do not overtighten for further adjustment.

For All Other Installations:

- Position the mounting plate over the toilet mounting holes.
- Slide a washer onto each of the bolts. Please pay attention to washer direction.
- Insert a bolt through the mounting plate and the toilet mounting holes.
- Position the washers so they rest in the grooves of the mounting plate.
- Thread a nut onto each of the bolts. Handtighten the nut.



5. Install the Seat

- Align the slot on the mounting plate with the groove located below the toilet seat, slide the seat onto the mounting plate until you feel it snaps into place.

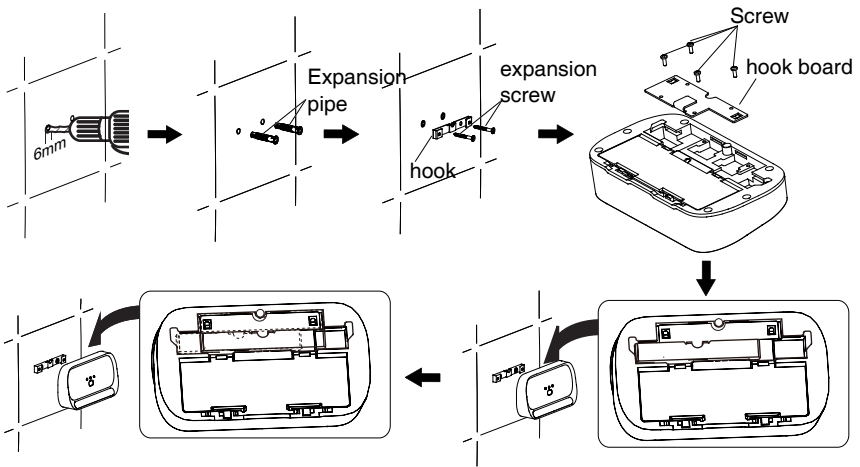
NOTE: The mounting plate may need to be adjusted to properly align with the seat.

For Toilets with Threaded Inserts:

- To adjust the seat position, remove the seat and reposition the mounting plate as needed.
- Once the seat is positioned as desired, remove the seat and securely tighten down the mounting plate.
- Reinstall the seat.

For All Other Installations:

- No need to remove the seat for seat position adjustment. Adjust the position seat and mounting plate only by loosening nuts and tighten nuts when they are adjusted to properly align with the seat.



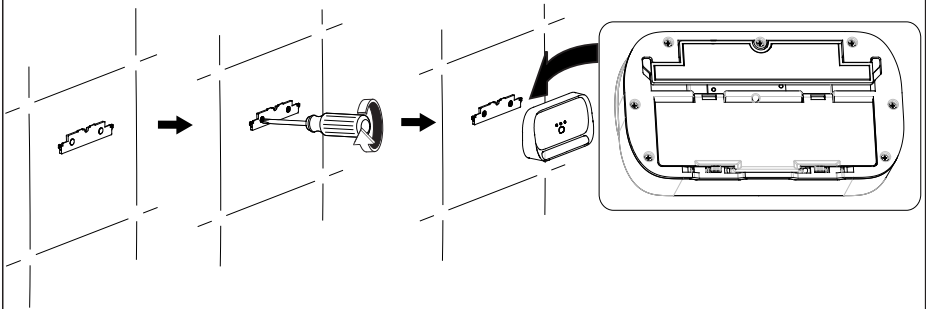
6. Install the Remote Control - Metal hanger fixation form

Note: please install the remote at a place where is not easily affected by water.

Note: please find other proper installation method if the installation wall material is special like wood or fiberboard.

- Choose a mounting location for the remote holder that is easily accessible while sitting on the seat.
- Fix the expansion pipe on the wall, and fix the hooks with expansion screws. Note: Please install in the direction as suggested on the hook.
- Fix the hook board on the substrate with screws.
- Direct the card slot on the back of the substrate to the hook to make the hook parts fully into the card slot in the base.
- Slide base towards the right to the middle position, hook stuck to the board, and slide down to the top, then the base can be fixed on the hook. The motion curve is as shown by the arrows on the hook.
- When get off the substrate, it needs to slide upwards to the top and then towards left to the edge, then it can be easily removed.





6. Install the Remote Control-Plastic base screw fixation

Note: please install the remote at a place where is not easily affected by water.

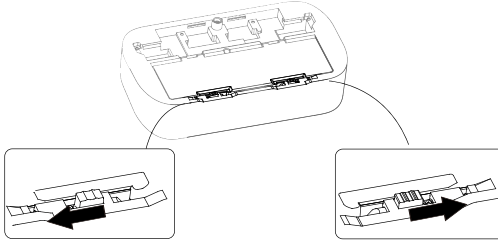
Note: please find other proper installation method if the installation wall material is special like wood or fiberboard.

- Choose a mounting location for the remote holder that is easily accessible while sitting on the seat.
- Tear off the double-side adhesive tape on the back of the plastic base, paste the plastic substrate on the wall as shown in the picture.
- Fix the plastic base with screws.
- Direct the card slot in the base to the fixed base to get stuck, and slide the base down to the bottom, then the base can be fixed.

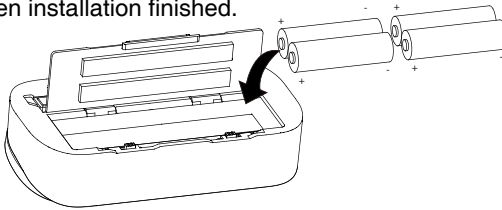


8. Install the Remote Control - Battery installation way

- Use both hands to push aside the knob to open the back cover.

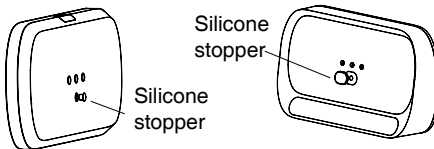


- Install four AA batteries into the base as marked, and cover the back lid, then installation finished.



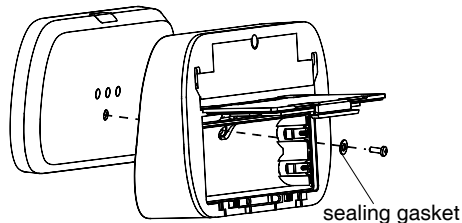
9. Install the Remote Control - Anti-theft installation way in Public Places

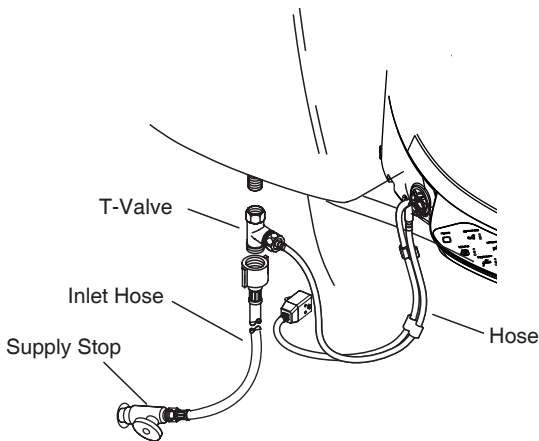
- Take off the sealing silicone stopper installed on the back of the remote control and the base.



- Open the installation back cover of the battery, and take out the battery.

- Fix the remote controller and the base together with sealing gasket and screws, and then put on the back cover of the battery, then anti-theft installation finished.





10. Connect the Water Supply

IMPORTANT! Risk of product damage. Take care to face right in position to the inlet pipe thread and seat thread. Take care not to crossthread or overtighten connections. Hand tighten plus one-quarter turn is sufficient for tightening.

IMPORTANT! Risk of product damage. Use care not to scratch the product surfaces.

- Connect the T-valve directly to the toilet fill valve.
NOTE! For those newly installed plumbing pipes, (before the inlet hose is connected to the T-valve,) must flush for several seconds to clean the inner side of the pipe in order to remove the dirt and debris, etc.
- Connect the T-valve to the toilet seat with the supplied hose.
NOTE: Please use new hose enclosed with tools. Please do not reuse the old hose.
- Connect T-valve to water supply system (valve shall be purchased by customer).
- Turn on the water supply.
NOTE: Flush the water supply pipes thoroughly to remove debris. The product is designed for tap water. Make sure not to use industrial water/grey water/black water/sea water for the water supply.
- Check all connections for leaks and make any adjustments as needed.



11. Installation Checkout

- Ensure if water inlet valve is OPEN.
- Wrap the toilet seat with plastic wrap to prevent water from spraying from the toilet during testing.
- Toilet makes one short beep once it is plugged in. The nozzle stretches out and draws back once. Backlight on the side keyboard lights up and the night light flashes. All the actions last until the initialization process completes.
- Attach the clips evenly along the hose and power cord.
- The seat is activated by skin-to-seat contact. Unless otherwise stated, the seat must be occupied to activate the functions. To activate the seat controls for testing purposes, when facing the toilet, place your hand or a damp wash cloth on the right side of the seat approximately 1/3 from the front of the seat (sensor area).
- Proceed to the “Operation” section of the Homeowners Guide to test the various seat functions.

感谢您选择科勒公司

我们感谢您对科勒质量的信任。在您开始安装前，请您花几分钟时间阅读这本手册。如果您在安装或性能方面遇到任何问题，务必请您与我们联系。再次感谢您选择科勒公司。

工具和材料



可调节扳手



一字螺丝刀



电钻及配套钻头

安装之前



警告：触电，火灾或人身伤害的危险。本产品必须接地良好。只能连接到专用的220V~，50Hz，10A的带接地故障断路器或接地漏电保护器的电路中。



警告：触电或产品损伤的危险。不要把产品浸没在水中。

重要！产品损伤的危险。在所有其他安装步骤结束之前不要插电源线插头。

重要！产品损伤的危险。不要把产品安装在水可能溅到的地方。

重要！产品损伤的危险。不要把产品安装在过分潮湿的地方，在这种地方，水汽可能凝聚在产品表面。请始终保持使用环境有足够的通风，以防止电子组件的损坏。

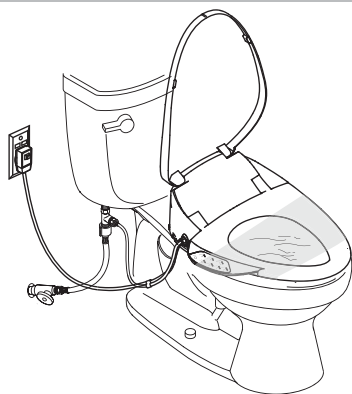
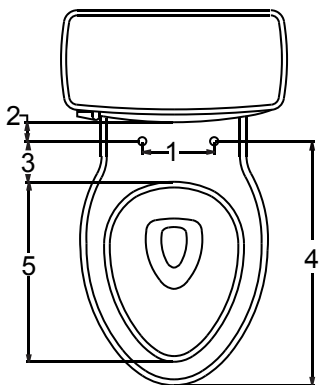
重要！产品损坏或财产损失的危险。硬推、硬拉水管接头可能造成水渗漏。

重要！产品损坏的危险。不要在喷嘴上施加过大的力，否则产品可能损坏。

重要！产品损坏的危险。连接本产品进水管时要小心对正螺纹，否则会损坏产品进水口螺纹，造成漏水。

- 遵守所有当地的管道和建筑标准。
- 这本说明中所有的信息基于最新公开的产品信息。科勒公司保留在任何时间不通知的情况下做改变的权利。
- 不要使用延长电线连接产品。
- 最小进水压力0.07Mpa（动压）
最大进水压力0.74Mpa。
- 只能连接到自来水的水源。
- 如果产品长时间不用，请拔下插头并排干本机里的水。
- 在安装本产品的同一房间中，需要在触手可及的位置安装一个止水阀，用于紧急情况下，无需借助工具即可切断本产品的进水水路；否则本产品的意外故障可能会导致用户损失。

1. 适配座便盖尺寸要求及安装小贴士

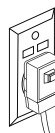


1. 安装孔的间距: 136-210mm
2. 安装孔与水箱的距离: $>20\text{mm}$
3. 安装孔与座便器内圈的距离: $<70\text{mm}$
4. 安装孔到座便器顶端的距离: 460-490mm
5. 座便器内径尺寸: 370-390mm
6. 安装前请在座便器左侧约1米范围内预留电源插座

2. 安装电路出口



警告：触电，火灾或人身伤害的危险。本产品必须接地良好。只能连接到专用的220V~，50Hz，10A的带接地故障断路器或接地漏电保护器的电路中。



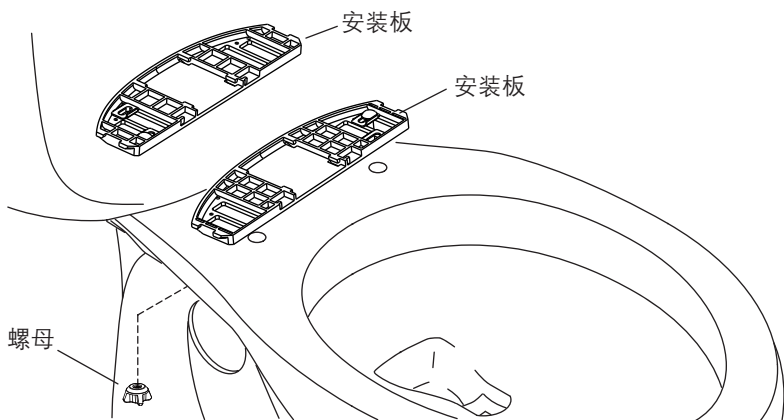
建议使用防水型插座，不要使用延长电线连接产品。

注意：在决定电路出口位置时，要按照当地的标准。

连接到220V~，50Hz，10A并带有接地故障断路器或接地漏电保护器保护的电路。

3. 准备

- 关闭座便器的供水系统。
- 冲洗座便器，释放来自供水管的压力。
- 在进水阀下方放置一个容器装多余的水。
- 断开座便器进水阀与供水管的连接。
- 移除现有的座圈。



4. 安装安装板

注意：按照安装板上安装距离提示，选择合适的安装板。

- 在座便器安装孔上方放置安装板。
- 把螺钉分别插入垫圈内。

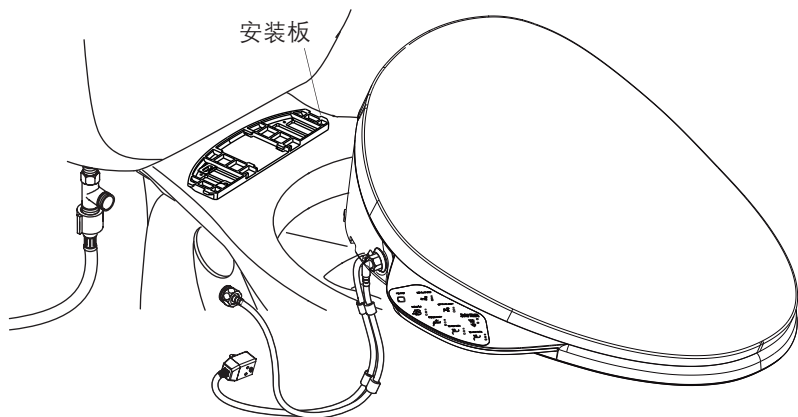
注意：一些座便器的底板孔内已经有螺纹，这种座便器不需要螺母。

对有螺纹孔的座便器：

- 把螺钉插入安装板和座便器安装孔内，移动垫圈，使之卡在安装板的凹槽内，注意垫片方向：垫片近孔折弯处向下。
- 顺着螺纹轻轻地拧紧螺丝，不要拧得过紧，以便调整。

对其他座便器：

- 在座便器安装孔上方放置安装板。
- 把每个螺丝分别插入垫圈内，注意垫片方向：垫片近孔折弯处向下。
- 把螺丝插入安装板和座便器的安装孔内。
- 移动垫圈，使之置于安装板的凹槽内。
- 在每个螺丝上拧上螺母，用手拧紧螺母。



5. 安装座便盖

- 对正座便盖底部和安装板之间的卡槽，把座便盖在座便器座圈面上向水箱方向移动，当听到咔嚓声说明安装完成。

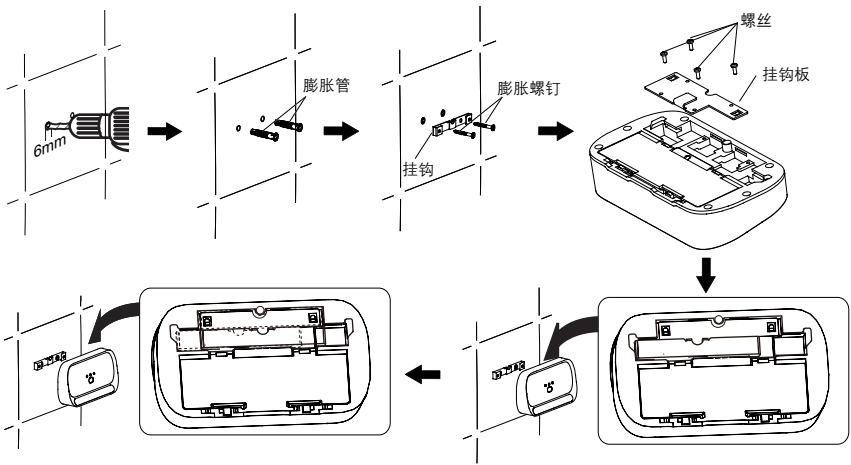
注意：安装板可能需要调节来完全地对准座便器相对位置。

对有螺纹孔的座便器：

- 要调节座便盖位置，如有必要可以移除座便盖，重新调节安装板的位置。
- 一旦座便盖位置确定，移除座便盖，牢固的拧紧安装板。
- 重新安装座便盖。

对其他座便器：

- 要调节座便盖的位置，不需移除座便盖，只需拧紧螺母，即可摆动调节座便盖及安装板的位置，当位置适当，直接拧紧螺母即可，不必担心螺钉会跟转。



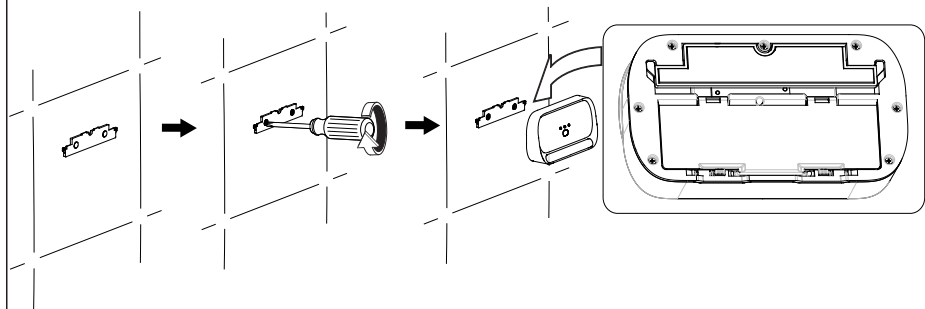
6. 遥控器安装—金属挂钩固定方式

注意：如果安装墙面是特定材料（比如木板、密制板等）时，使用合适的固定方法。

注意：遥控器的安装位置应该是不易被水淋到的地方。

- 选择一个合适地方安装遥控器支架，这个地方应该是当你坐在座便器上时很容易用手容易操作遥控器。
- 将膨胀管固定到墙上，用膨胀螺钉固定挂钩；
注意：请按照挂钩上的提示的方向安装。
- 用螺丝将挂钩板固定在基座上；
- 将基座背面的卡槽对准挂钩，使挂钩部件完全置入基座的卡槽中；
- 将基座向右滑动到中间位置，挂钩与挂钩板卡住，再往下滑动到顶，即可将基座固定在挂钩上，其运动轨迹如挂钩上的箭头所示；
- 将基座取下时，需向上滑到顶，再向左滑到底，即可轻松取下。





7. 遥控器安装—塑料基板螺钉固定方式

注意：如果安装墙面是特定材料（比如木板、密制板等）时，使用合适的固定方法。

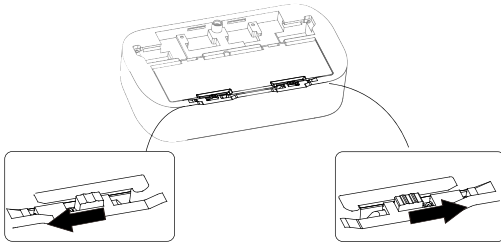
注意：遥控器的安装位置应该是不易被水淋到的地方。

- 选择一个合适地方安装遥控器支架，这个地方应该是当你坐在座便器上时很容易用手容易操作遥控器。
- 将塑料基板背面上的双面胶撕下，按图所示将塑料基板粘贴在墙上；
- 用螺钉固定塑料基板；
- 将基座的卡槽对准固定基板卡入，再将基座往下滑动到底部，即可固定基座。

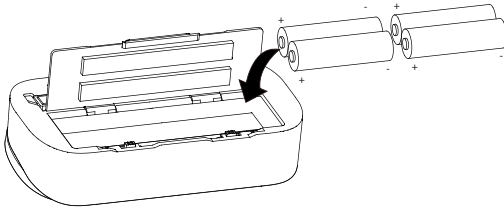


8. 遥控器安装—电池安装方式

- 双手拨开拨扭打开后盖；

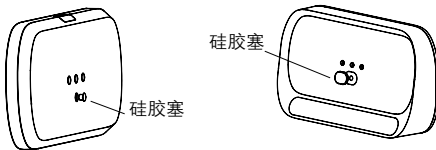


- 将4节AA干电池按标记安装到基座内，盖上盒盖完成安装。



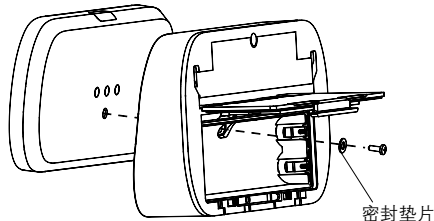
9. 遥控器安装—公共场所防盗安装方式

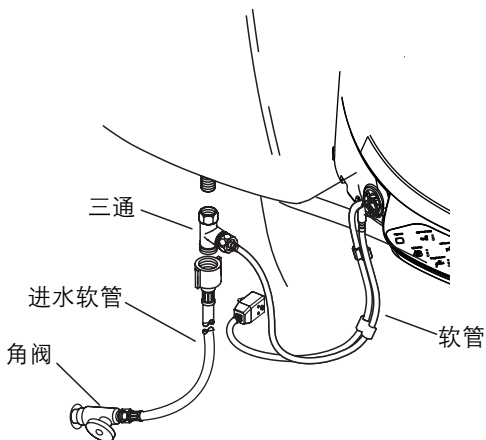
- 将安装在遥控器背面和基座上的硅胶塞取掉；



- 打开电池安装后盖，取出电池；

- 用密封垫片、螺丝将遥控器和基座固定在一起，合上电池安装后盖，完成防盗安装。





10. 连接供水系统

重要！产品损坏的危险。小心对正进水管与座便盖的螺纹，不要破坏螺纹或过于拧紧接头。为了牢固的拧紧接头，用手拧紧后用工具再拧紧1/4圈。

重要！产品损坏的危险。小心不要刮伤产品表面。

- 直接将三通与座便器进水管口相连。
注意：对新安装的管路系统，在将进水软管连接至三通以前，须直接排水数秒，以清除管道内沙石、污垢等。
- 用提供的软管连接三通和座便盖。
注意！必须使用随器具附带的新软管组件，旧软管组件不能重复使用。
- 把三通与供水系统相连(角阀需客户自行购买)。
- 打开供水系统。
注意！一定要先彻底冲洗供水管以清除管道中的杂质，使用水源为饮用自来水，切勿使用工业用水、废水、污水以及海水。
- 检查所有连接是否有漏水，如果需要可做调整。



11. 安装检查

- 确认进水阀是否已打开。
- 用塑料布包裹在座圈上，防止测试时水喷出。
- 把电源线插上电源插座，座便盖发出短蜂鸣1次，喷管伸缩1次，侧键盘上背光灯点亮，夜灯闪烁，直至初始化结束。
- 在软管和电源线间扣上线夹。
- 座圈设计为有落座感应启动工作。为了激活座圈达到测试的目的，首先面对座便器，然后把手或者一块湿布放在座圈右边离前端大约1/3处（感应区域）。
- 继续参考用户手册中的“使用方法”部分来测试产品的不同功能。