

45394T 衣钩  
45396T 24"毛巾杆  
45400T 24"双层浴巾架  
45402T 卫生纸架

45395T 肥皂盘  
45397T 24"双层毛巾杆  
45401T 毛巾环  
45403T 卫生纸架(带盖板)

#### 安装之前

所有的资料是按最新发布的产品资料编写而成。科勒公司保留任何时候不经通知即可改变产品特性、包装或产品可供类型的权利。

说明书包括重要的安装、保养及清洁方面的内容，请把这些资料交给用户阅读。

#### 注意事项：

本产品为水泥墙面安装或木墙面安装。若安装在其他表面可能影响产品性能。

#### 危险警告：(人身伤害)

本产品不能作为扶手等支撑物使用，请勿将产品安装在可能被误认为扶手等支撑物的位置。

#### BEFORE YOU BEGIN

All information is based on the latest product information available at the time of publication. Kohler Co. reserves the right to make changes in product characteristics, packaging, or availability at any time without notice.

Please leave these instructions for the consumer. They contain important information.

#### NOTE:

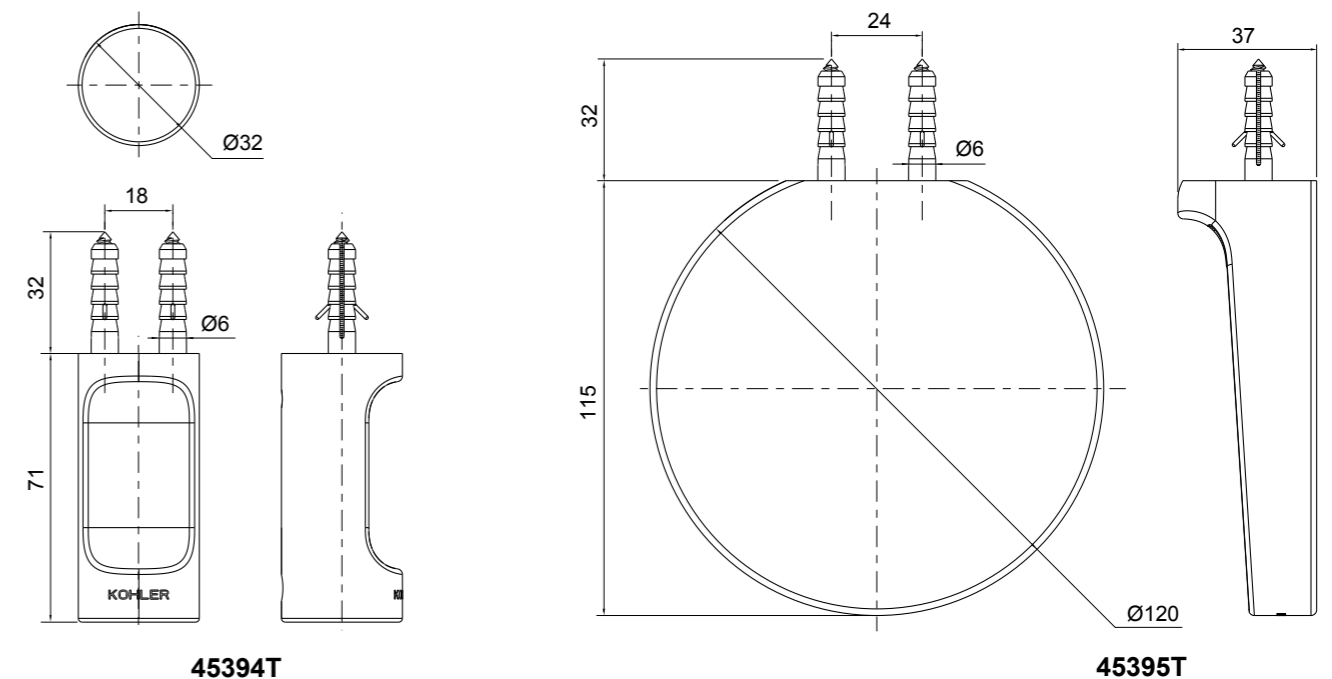
These products should be located and mounted to a wall. While it is possible to mount them to any surface, a stud or concrete mounted product will yield the best results.

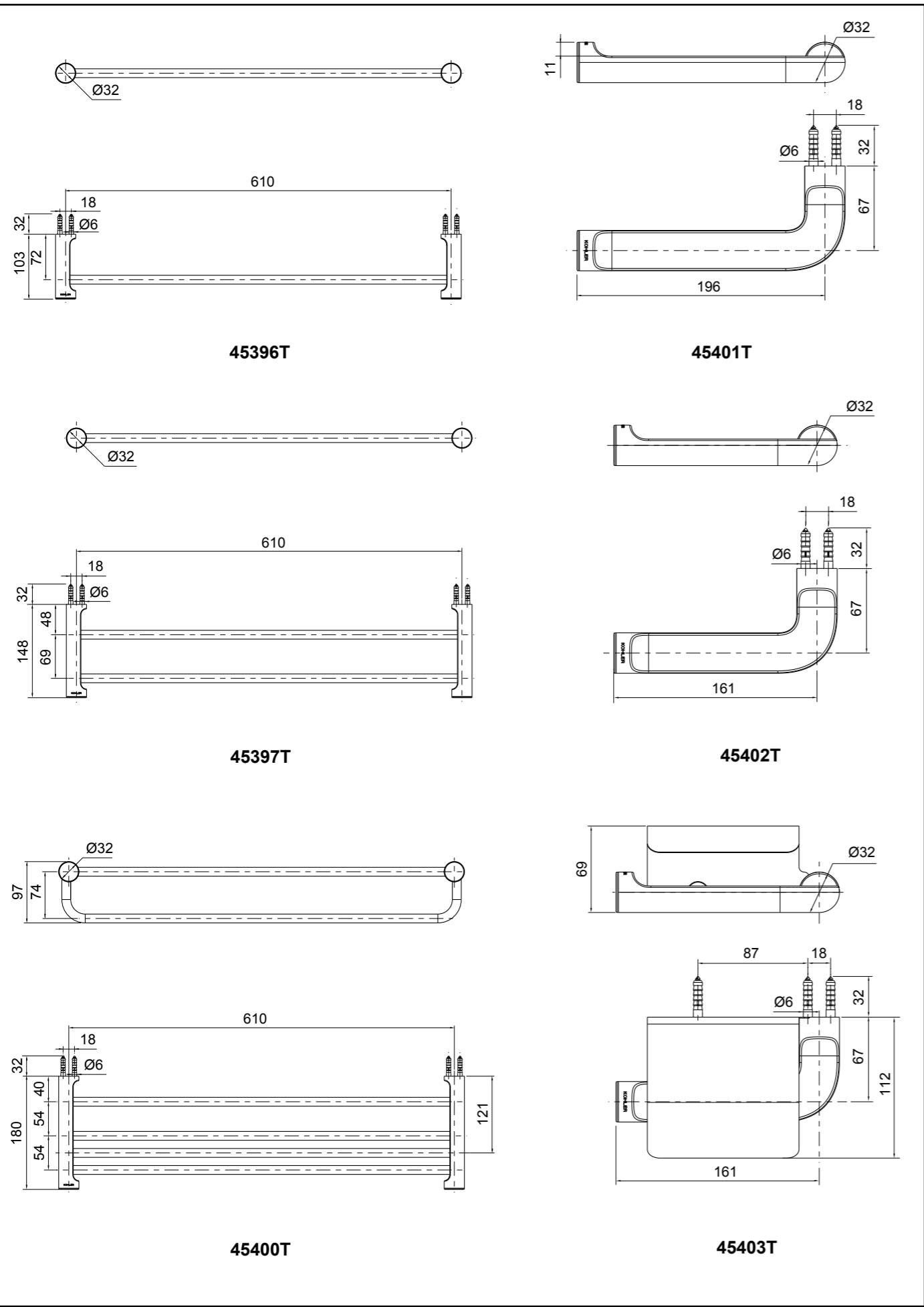
#### DANGER: (Risk of personal injury)

These products are not designed or intended for use as a grab bar or support bar. Do not install any of these products in any area where they are likely to be used inadvertently as a grab bar or support bar.

#### 安装尺寸

#### ROUGH-IN DIMENSIONS





45396T

45401T

45397T

45402T

45400T

45403T

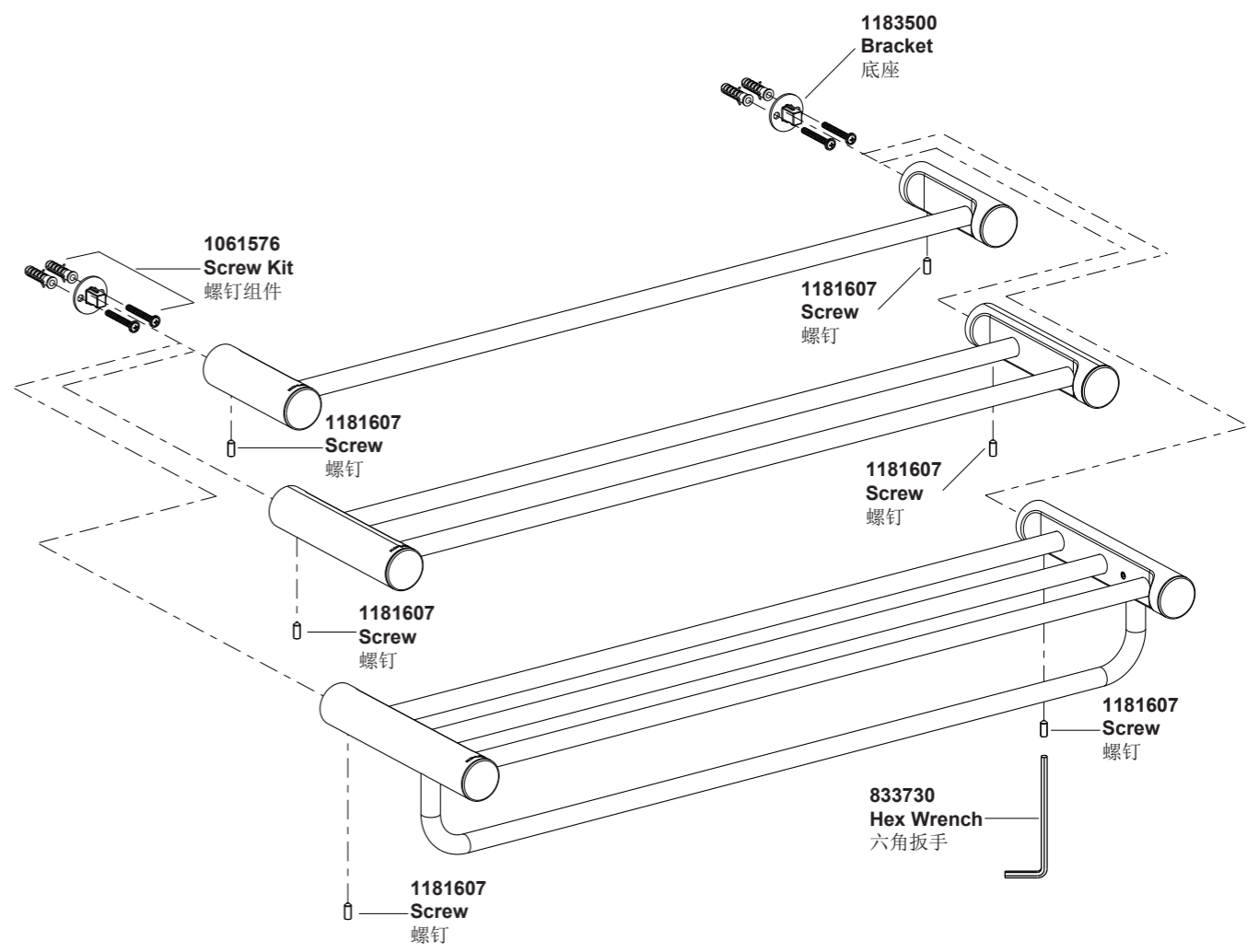
# KOHLER®

## ACCESSORY SERVICE PARTS

### 浴室配件 零件图

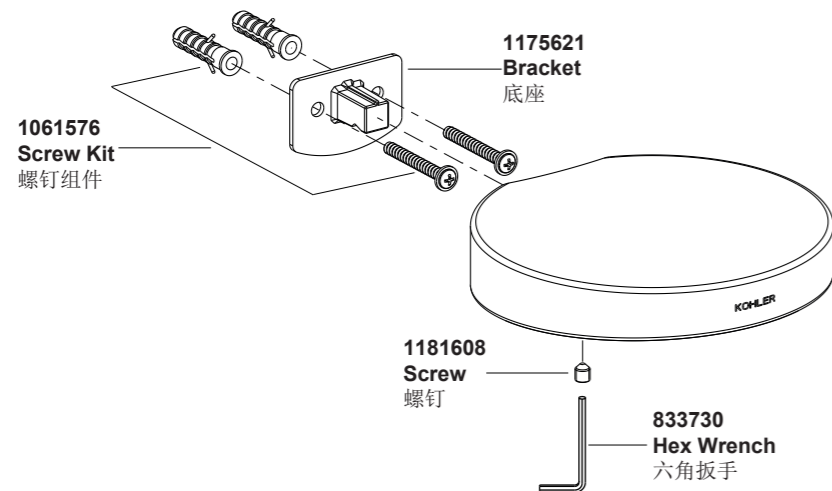
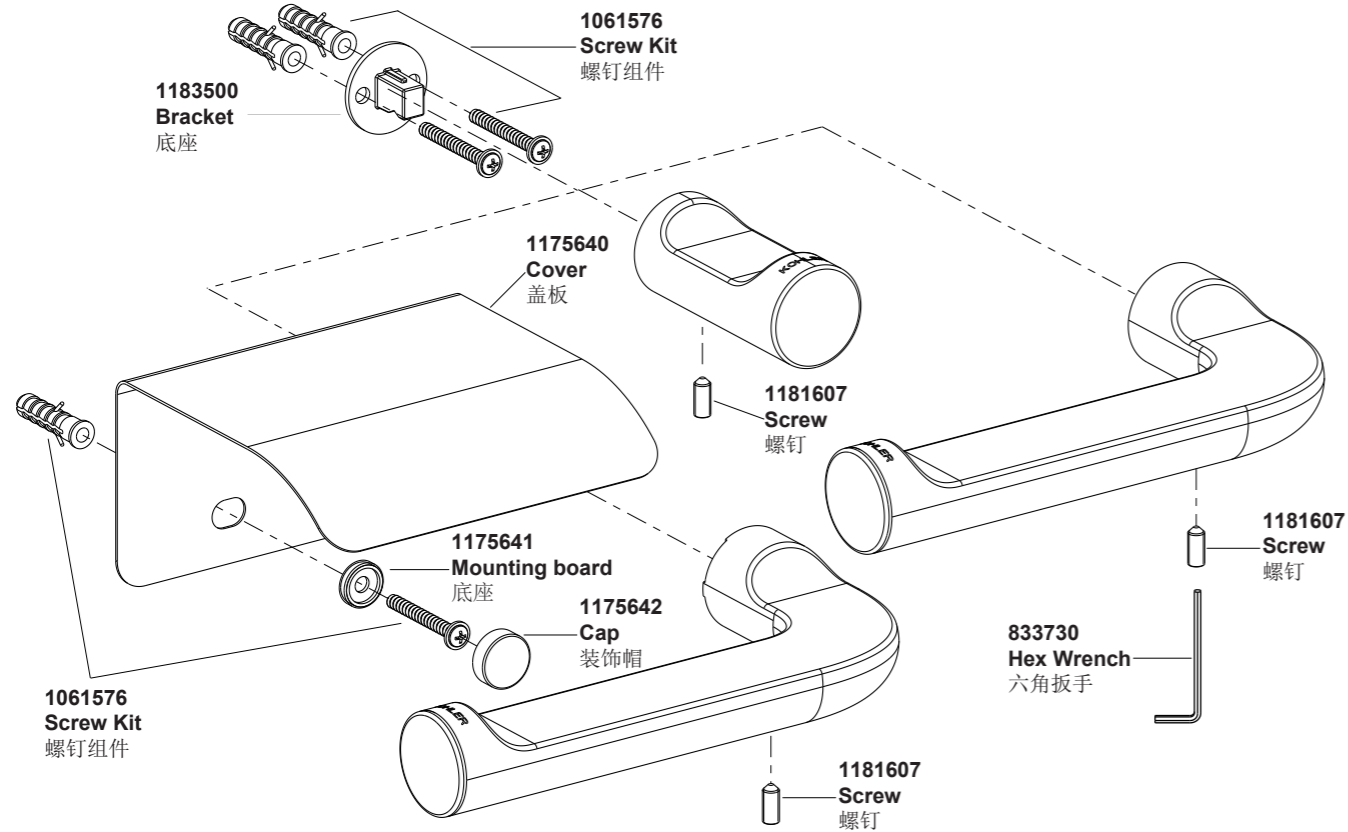


- 45396T 24"毛巾杆
- 45397T 24"双层毛巾杆
- 45400T 24"双层浴巾架



\*\*订购时请说明颜色编号  
 \*\*Color code must be specified when ordering

- 45394T 衣钩
- 45395T 肥皂盘
- 45401T 毛巾环
- 45402T 卫生纸架
- 45403T 卫生纸架(带盖板)



\*\*订购时请说明颜色编号  
\*\*Color code must be specified when ordering

安装步骤

如何安装底座

仅对于45396T/45397T/45400T/  
45403T

如图Fig.1和Fig.2所示，在垂直面的墙壁上找一合适的位置粘贴模板，确保模板水平。根据胀塞直径钻孔。

**注意：**对于45403T，钻好孔后，将模板虚线范围内的纸板取下。

仅对于45394T/45395T/45401T/  
45402T

在垂直面的墙壁上，选择一个合适的位置用于安装底座。

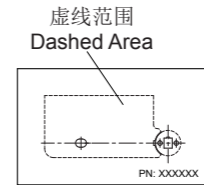
如图Fig.3和Fig.4所示，在墙壁上标记胀塞(1)安装孔位置，确保底座(3)两安装孔水平。根据胀塞直径钻孔。

对于所有产品

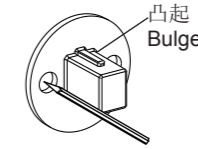
将胀塞(1)塞入孔中，用自攻钉(2)固定底座(3)，并确保底座的凸起朝上。



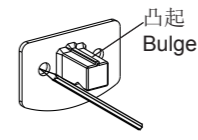
仅用于45396T/45397T/45400T  
Fig.1



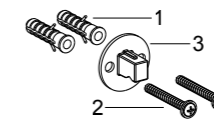
仅用于45403T  
Fig.2



仅用于45394T/45401T/45402T  
Fig.3



仅用于45395T  
Fig.4



INSTALLATION

How To Install The Bracket

Only For 45396T/45397T/  
45400T/45403T

As Fig.1 & Fig.2 shown, Select a location on the vertical wall to stick the templet, ensure the templet level. Drill holes in the finished wall asrequired.

**NOTE:** For 45403T, Remove the inner piece from templet according to cutting line after drill holes.

Only For 45394T/45395T/  
45401T/45402T

Select a location on the vertical wall to install the bracket.

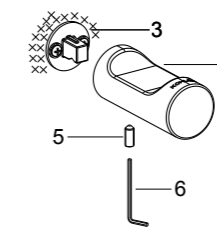
As Fig.3 & Fig.4 shown, Mark anchor(5) mounting hole locations on wall as shown, ensure two screw holes are level. Drill holes in the finished wall as required.

For All Products

Press the anchor(1) into the holes. secure the bracket(3) with the self-tapping screws(2), make sure the bulge on the bracket upwards.

如何安装衣钩

将衣钩(4)装到底座(3)上，保持衣钩的螺钉孔向下，用六角扳手(6)锁紧螺钉(5)固定衣钩。

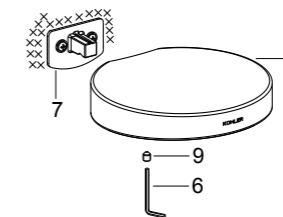


How To Install The Robe Hook

Slide the hook(4) onto the bracket(3). Orient the screw hole of the hook downwards. Tighten the screw(5) with the hex wrench(6) to secure the robe hook.

如何安装肥皂盘

将皂盘(8)装到底座(7)上，保持皂盘的螺钉孔向下，用六角扳手(6)锁紧螺钉(9)固定皂盘。

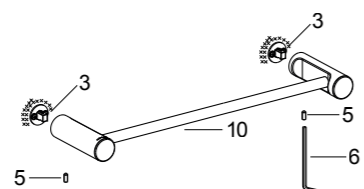


How To Install The Soap Dish

Slide the soap dish(8) onto the bracket(7). Orient the screw hole of the soap dish downwards. Tighten the screw(9) with the hex wrench(6) to secure the soap dish.

### 如何安装毛巾杆

将毛巾杆组件(10)的连接杆装到底座(3)上,保持连接杆的螺钉孔向下,用六角扳手(6)锁紧螺钉(5),固定毛巾杆组件。

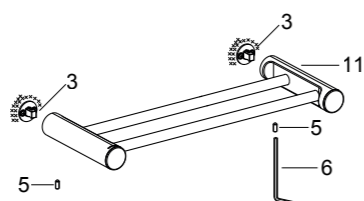


### How To Install The Towel Bar

Slide the extension of towel bar kit(10) onto the bracket(3). Orient the screw hole of the extension downwards. Tighten the screw(5) with the hex wrench(6) to secure the towel bar kit.

### 如何安装双层毛巾杆

将双层毛巾杆组件(11)的连接杆装到底座(3)上,保持连接杆的螺钉孔向下。用六角扳手(6)锁紧螺钉(5),固定双层毛巾杆组件。

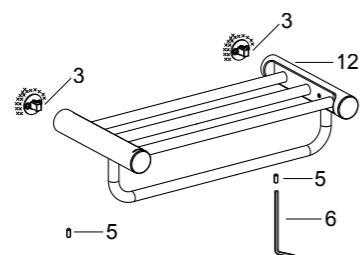


### How To Install The Double Towel Bar

Slide the extension of double towel bar kit(11) onto the bracket(3). Orient the screw hole of the extension downwards. Tighten the screw(5) with the hex wrench(6) to secure the double towel bar kit.

### 如何安装双层浴巾架

将双层浴巾架组件(12)的连接杆装到底座(3)上,保持连接杆的螺钉孔向下。用六角扳手(6)锁紧螺钉(5),固定双层浴巾架组件。

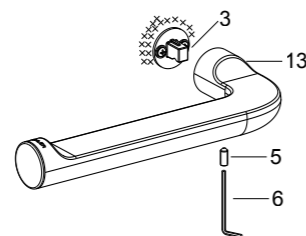


### How To Install The Double Towel Shelf

Slide the extension of the double towel shelf kit(12) onto the bracket(3). Orient the screw hole of the extension downwards. Tighten the screw(5) with the hex wrench(6) to secure the double towel shelf kit.

### 如何安装毛巾环

将毛巾环组件(13)装到底座(3)上,保持毛巾环组件的螺钉孔向下。用六角扳手(6)锁紧螺钉(5),固定毛巾环组件。

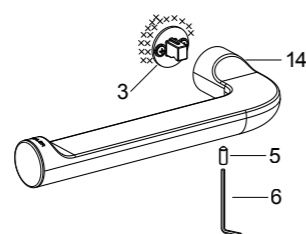


### How To Install The Towel Ring

Slide the towel ring kit(13) onto the bracket(3). Orient the screw hole of the towel ring kit downwards. Tighten the screw(5) with the hex wrench(6) to secure the towel ring kit.

### 如何安装卫生纸架

将卫生纸架组件(14)装到底座(3)上,保持卫生纸架组件的螺钉孔向下,用六角扳手(6)锁紧螺钉(5),固定卫生纸架组件。

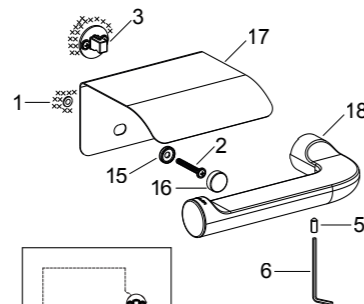


### How To Install The Tissue Holder

Slide the tissue holder kit(14) onto the bracket(3). Orient the screw hole of the tissue holder kit downwards. Tighten the screw(5) with the hex wrench(6) to secure the tissue holder kit.

### 如何安装带盖板卫生纸架

用自攻钉(2)带底座(15)固定盖板(17),使盖板上紧贴墙面的一侧与模板的虚线范围重合。



### How To Install The Covered Tissue Holder

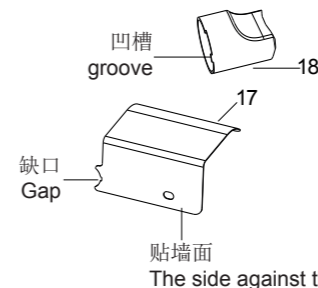
Secure the cover(17) by the self-tapping screw(2) with the mounting board(15), and aligning the side against the finished wall on the cover with the cutting lines of the templet.

**注意:** 不要将螺钉拧得太紧。

模板  
Templet

**NOTE:** Don't overtighten the self-tapping screw.

将卫生纸架组件(18)的凹槽对准盖板(17)上的缺口,然后将卫生纸架组件装到底座(3)上。用六角扳手(6)锁紧螺钉(5),固定卫生纸架组件。用十字螺丝刀锁紧自攻钉(2),将装饰帽(16)拧到底座(15)上。



Align the groove of the tissue holder kit(18) with the gap of the cover(17), and slide the tissue holder kit(18) onto the bracket(3). Tighten the screw(5) with the hex wrench(6) to secure the tissue holder kit. Tighten the self-tapping screw(2) with a cross screwdriver. Screw the cap(16) onto the mounting board(15).

### 安装结果检查

检查并确保所有连接处已锁紧。

### INSTALLATION CHECKOUT

Ensure that all connections are tightened.

### 清洗说明

适用于所有加工处理过的表面:以中性肥皂水清洗镀层表面,再以干净的软布彻底擦干整个表面,许多清洁剂,比如氨水、去污粉及洁厕灵等,会对电镀表面造成伤害,切忌使用。

有磨损性的清洁用具或清洁剂也不可适用于科勒牌的水龙头及其配件上。

### CLEANING INSTRUCTIONS

All Finishes: Clean the finish with mild soap and warm water. Wipe entire surface completely dry with a clean soft cloth. Many cleaners may contain chemicals, such as ammonia, chlorine, toilet cleaner etc. Which could adversely affect the finish and are not recommended for cleaning.

Do not use abrasive cleaners or solvents on Kohler faucets and fittings.