

# KOHLER®

## INSTALLATION INSTRUCTIONS

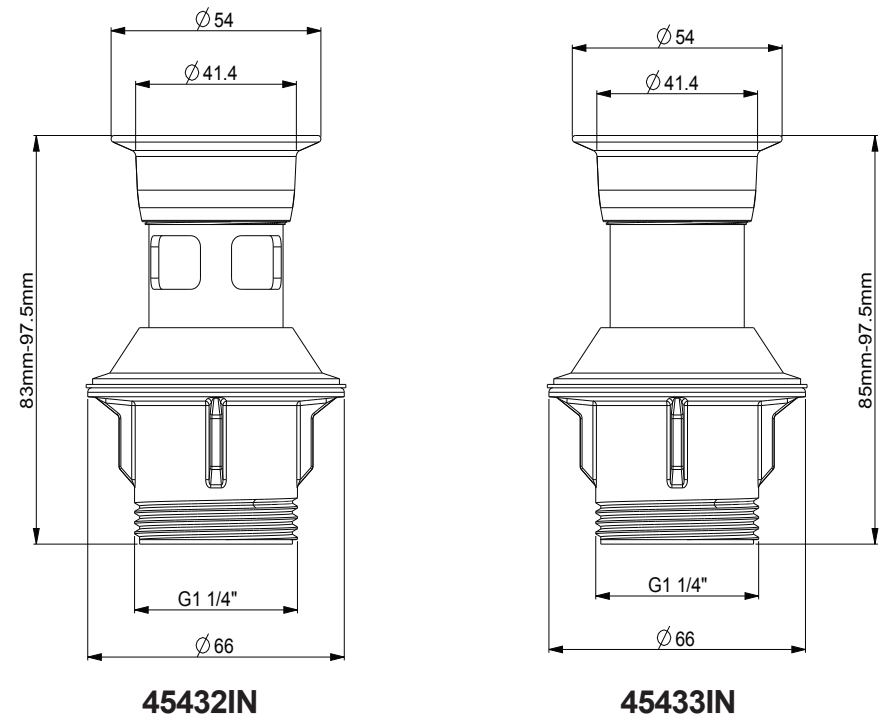
**45432IN GRID DRAIN WITH OVERFLOW**  
**45433IN GRID DRAIN WITHOUT OVERFLOW**

### BEFORE YOU BEGIN

All information is based on the latest product information available at the time of publication. Kohler Co. reserves the right to make changes in product characteristics, packaging, or availability at any time without notice. Please leave these instructions for the consumer. They contain important information.

**NOTE:**  
Observe all local plumbing and building codes.

### ROUGH-IN DIMENSIONS



# KOHLER®

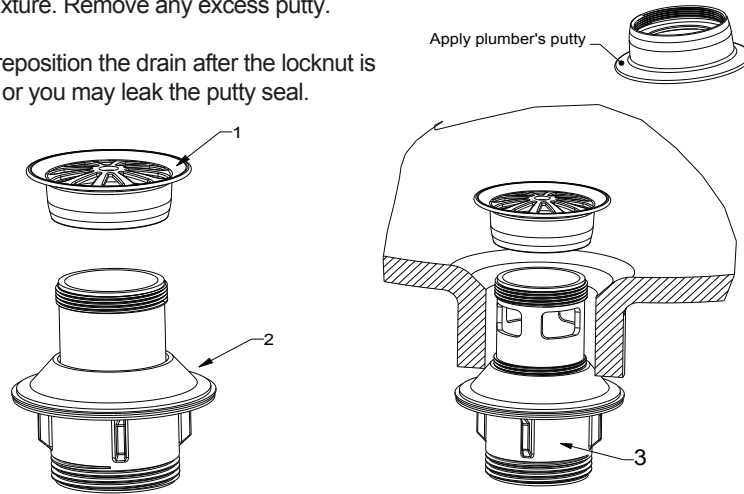
Kohler India Corporation Pvt. Ltd.  
6th Floor, Office Block  
Ambiance Mall, Ambi Island, NH-8  
Gurgaon-122002  
Haryana, India

Customer Care No : 1800 103 2244 (Toll Free) & +91-124-4319685 / 86  
Customer Care Email : [indiacustomercare@kohler.com](mailto:indiacustomercare@kohler.com)  
[www.kohler.co.in](http://www.kohler.co.in)

## INSTALLATION

1. Unscrew the drain flange(1) from drain.
2. Apply plumber's putty underside of flange as shown.
3. Insert the drain body (2) into the under side of the lavatory.
4. Thread the drain flange onto the drain body.
5. Tighten the locknut(3) by hand from underside of the fixture. Remove any excess putty.

Notes: Do not reposition the drain after the locknut is tightened, or you may leak the putty seal.



## CLEANING INSTRUCTIONS

All Finishes: Clean the finish with a mild soap and warm water. wipe entire surface completely with a clean soft cloth. Many cleaners may contain chemicals, such as ammonia, chlorine, toilet cleaner etc., which could adversely affect the finish and are not recommended for cleaning.

Do not use abrasive cleaners or solvents on Kohler drains and fittings.

# KOHLER®

## SERVICE PARTS

45432IN GRID DRAIN WITH OVERFLOW

45433IN GRID DRAIN WITHOUT OVERFLOW

