

## 如何取出限流器

当供水水压低于0.15MPa(1.5bar)时，建议取出限流器(46)以确保手持花洒的切换功能正常使用。

先用六角扳手(47)旋松把手(49)内部的螺钉(48)。依次取出把手，弹簧(50)，摩擦球(51)，摩擦槽(52)，滑盖(53)，轴承(54)，带垫片的装饰盖(55)，阀帽(56)，阀芯(57)，移除限流器。将阀芯装回，并锁紧阀帽，再依次将其其它零件重新装回阀座(58)中，用六角扳手锁紧螺钉。



## How To Remove The Flow Restrictor

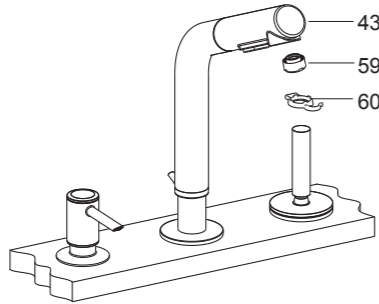
If the water working pressure is below 0.15MPa(1.5bar), please remove the flow restrictor(46) to ensure the spray's functions work well.

Loosen the screw(48) of the handle(49) by hex wrench(47). Take out the handle, spring(50), friction ball(51), friction cup(52), sliding disk(53), bearing(54), escutcheon(55) with washer, valve nut(56), valve(57), remove the flow restrictor. Reinstall the valve and tighten the valve nut. Reinstall the other parts to valve body(58) in sequence, tighten the screw by hex wrench.

## 安装结果检查

检查并确保所有衔接处都已拧紧，确保手柄在关的位置。打开主水源和排水系统，检查并修理有漏水的接口。

将花洒(43)拆下，用工具(60)将起泡器(59)拆下。打开水龙头，让水流出约一分钟以清除杂质。冲洗花洒的滤网垫片及起泡器。关闭水龙头，重新装回起泡器和花洒。



## INSTALLATION CHECKOUT

Ensure that all coupling nuts are tight. Ensure that the lever handle is in the off position. Turn on the main water supply and drain, and check for leaks. Repair as needed.

Remove the spray(43). Remove the aerator(59) with the key(60). Turn on the faucet. Run hot and cold water for about one minute to remove any debris. Remove any debris from the filter washer and aerator. Shut off the faucet. Reinstall the aerator and spray.

## 清洗说明

适用于所有加工处理过的表面：以中性肥皂水清洗镀层的表面，再以干净的软布彻底擦干整个表面，许多清洁剂，比如氨水、去污粉及洁厕灵等，会对电镀表面造成伤害，切忌使用。

有磨损性的清洁用具或清洁剂也不可适用于科勒牌的水龙头及其配件上。

## CLEANING INSTRUCTIONS

All Finishes: Clean the finish with mild soap and warm water. Wipe entire surface completely dry with clean soft cloth. Many cleaners may contain chemicals, such as ammonia, chlorine, toilet cleaner etc, which could adversely affect the finish and are not recommended for cleaning.

Do not use abrasive cleaners or solvents on Kohler faucets and fittings.

# KOHLER®

## INSTALLATION INSTRUCTIONS

### 安装说明书

# 希尔维

## ALEUTIAN

### Grooming Lavatory Faucet

#### 45758T-4 梳洗脸盆龙头

### 安装之前

所有的资料是按最新发布的产品资料编写而成。科勒公司保留任何时候不经通知即可改变产品特性、包装或产品可供类型的权利。

说明书包括重要的安装、保养及清洁方面的内容，请把资料交给用户阅读。

#### 注意事项：

- 一定要先彻底冲洗供水管以清除管道中的杂质。
- 如果是安装新的脸盆，可将水龙头先装到脸盆上。
- 推荐工作压力：2~5bar。
- 花洒最高工作压力：0.5MPa(5bar)。水压超过0.5MPa(5bar)须安装减压阀。花洒最高工作温度及环境温度：60°C。请特别注意花洒须远离加热器，否则可能损坏花洒及密封件，甚至对使用者造成伤害。

### BEFORE YOU BEGIN

All information is based on the latest product information available at the time of publication. Kohler Co. reserves the right to make changes in product characteristics, packaging, or availability at any time without notice.

Please leave these instructions for the consumer. They contain important information.

#### NOTE:

- Flush the water supply pipes thoroughly to remove debris.
- For new installations, assemble the faucet to lavatory before installing.
- Recommended working pressure: 2 to 5bar.
- The highest working pressure for spray is 0.5MPa (5 bar). If it exceeds 0.5MPa(5 bar), a pressure reducer is needed. The highest water and environment temperature is 60°C. Please keep spray away from heater, or it may become damaged and cause to injury to the user.

### 使用说明

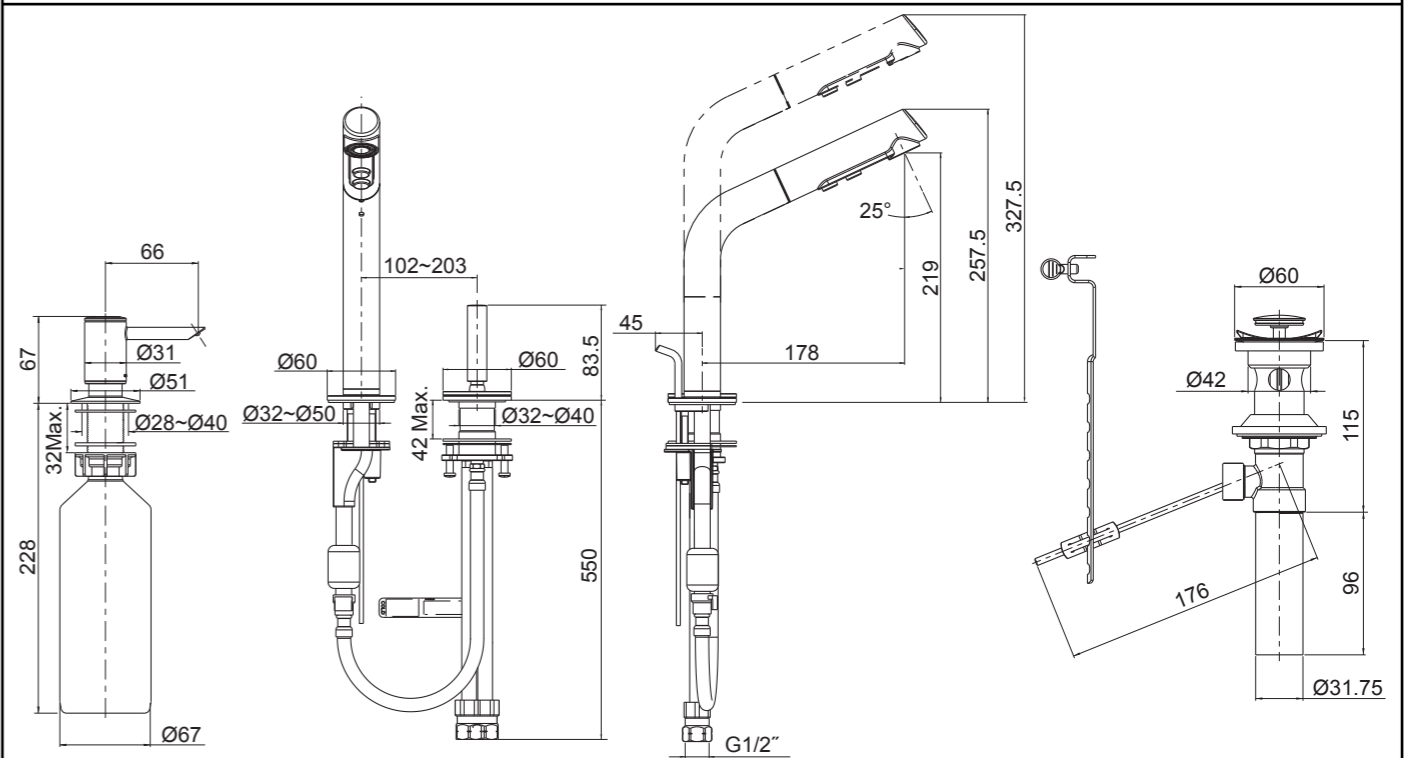
面对水龙头，轻轻向使用者方向扳动把手，顺时针旋转为热水，逆时针旋转为冷水。

### HANDLE OPERATION

In front of the user, pull the handle towards user gently, turn clockwise for cold water, and counter-clockwise for hot water.

### 安装尺寸

### ROUGH-IN DIMENSIONS

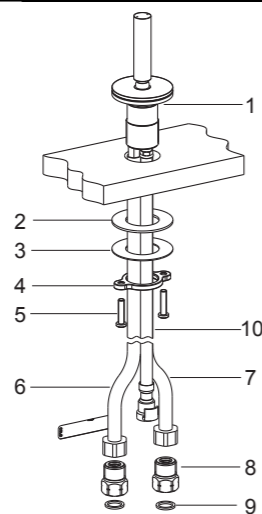


## 安装步骤

### 如何安装阀体组件

将阀体组件(1)插入脸盆安装孔中。从脸盆下方将橡胶垫片(2)、钢垫(3)、螺母(4)和螺钉(5)装到阀体组件上。调整阀体组件的位置,使得两进水软管(6,7)左右对称且带标志的进水软管(6)在左边。锁紧螺母(4)和固定螺钉(5),将阀体组件固定在脸盆上。

把接头(8)带垫片(9)接到水源,然后将进水软管与接头相连,带有“COLD”标志的软管接冷水。



## INSTALLATION

### How To Install The Valve Kit

Fit the valve kit(1) into the hole of the lavatory. From underside, install the rubber washer(2), the stainless steel washer(3), the nut(4) and screws(5). Position the valve kit so that the inlet hoses(6,7) are symmetrical and the inlet hose(6) with mark is on the left. Secure the valve kit by tightening nut(4) and screws(5).

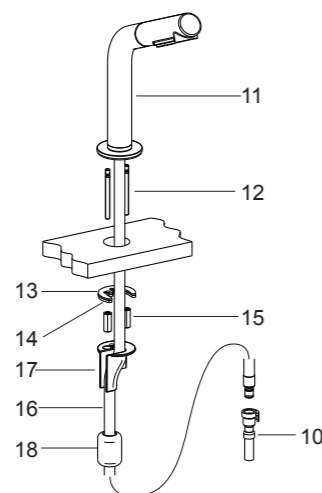
Attach the connectors(8) with the washers(9) to water supplies. Attach the inlet hoses to the connectors. The inlet hose with "COLD" mark connects to cold water.

### 如何安装出水口

将固定螺栓(12)装入出水口(11)底部,将出水口组件插入脸盆安装孔中。从脸盆下方将垫片(13)、钢垫(14)和螺母(15)装到出水口组件上。调整出水口组件的位置,锁紧螺母(15),固定出水口组件。

去掉软管(16)的保护套,将软管放入软管导向套(17)内,再将导向套装到固定螺栓(12)上。

将软管(16)穿过重锤(18)与阀体组件的软管(10)连接。



### How To Install The Spout

Insert the mounting stud(12) into the bottom of the spout kit(11). Fit the spout kit into the hole of the lavatory. From underside, install the washer(13), the stainless steel washer(14) and the nut(15). Position the spout kit. Secure the spout kit by tightening nut(15).

Remove the hose(16) protector, put the hose into the hose guide(17). Insert the hose guide into the mounting stud(12).

Insert the hose(16) into counter balance weight(18). Connect the hose kit and the hose of valve kit(10).

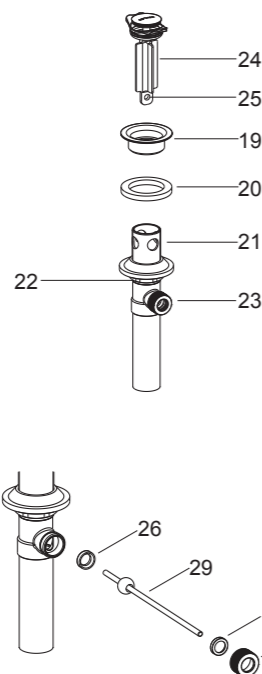
### 如何安装排水器

将法兰盘(19)从排水本体(21)取下,在排水器法兰盘底部套上垫片(20)。排水本体从底下插入洗脸盆,排水杆口(23)朝后方,把法兰盘旋入到排水本体中,从下方用手拧紧锁紧螺母(22)。把止水塞组件(24)放入排水本体中,调整以止水塞末端的洞口(25)靠近并对正排水杆的洞口。

**注意:** 如果需要,可直接在法兰盘(19)底面沿周围涂上一圈密封胶灰,而不使用垫片(20)。

将橡胶垫片(26)装进排水杆的洞口里,再把另一个塑料垫片(27)和固定螺母(28)套进球动杆(29)长的一端。把球杆组件插入排水球杆的洞中并穿过止水塞,拧紧固定螺母。

球动杆指向脸盆后方,并拧紧排水本体上的锁紧螺母,去除多余油灰。



### How To Install The Drain

Remove flange(19) from drain body(21). Slide the washer(20) onto the underside of the drain flange. Insert drain body from underside of lavatory with drain lever hole(23) facing to the back of the lavatory. Thread flange onto drain body by hand. Tighten the locknut(22) by hand from the underside. Place stopper kit(24) into drain body aligning the flat side of stopper hole(25) with the drain lever hole.

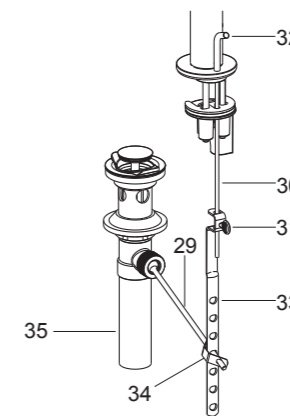
**NOTE:** If needed apply a ring of plumbers putty around the underside of the drain flange(19), instead of using washer(20).

Place the rubber washer(26) into the drain lever hole. Put another plastic washer(27) and retaining nut(28) into the long end of the ball lever rod(29). Insert the ball lever assembly into the drain lever hole and through the stopper hole, and tighten the retaining nut.

Be sure that the ball lever points to the back of the lavatory. Tighten the locknut on the drain body. Remove any excess putty.

**注意:** 在锁紧螺母转紧后,不可调整排水本体的位置,否则会破坏油灰密封。

将提拉杆组件(30)插入出水口后侧孔。把手捻螺丝(31)装到连杆(33)中,用V形夹(34)将连杆接在球动杆(29)上,将提拉杆插入到连杆孔中。将球动杆往下推到排水器全开位置。调整提拉杆的高度,使提拉杆头(32)底部距离安装台面10mm左右。拧紧手捻螺丝。把尾管(35)连接到去水弯管上。



**NOTE:** Do not reposition the drain after the locknut is tightened, or you may break the putty seal.

Insert the lift rod assembly(30) into the rear hole of spout. Assemble thumb screw(31) to link(33), and link onto ball lever rod(29) with "V" clip(34). Slide lift rod into the hole in link. Push the ball lever down to the open position. Position the lift rod, make sure the bottom of the lift rod knob(32) beyond about 10mm from the lavatory table. Tighten thumb screw. Connect the tailpiece(35) to the trap.

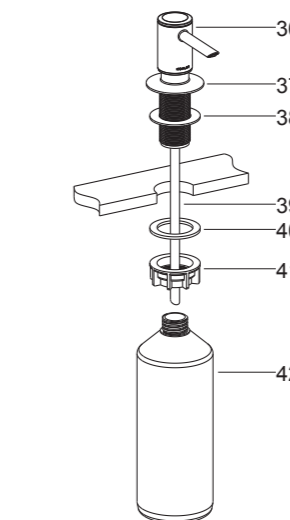
### 如何安装乳液器

拆除锁紧螺母(41)和垫片(40),保留螺纹法兰(37)上的垫圈(38)。

将泵管(39)的平整端插入乳液器组件的分配器(36)中,再将乳液器组件插入脸盆的孔中。

从脸盆下方将垫片(40)和锁紧螺母固定到乳液器组件。

将乳液瓶(42)从脸盆下方拧紧到乳液器上。



### How To Install The Lotion Dispenser

Uninstall locknut(41) and washer(40), leaving washer(38) on threaded flange(37).

Insert flat end of pump tube(39) into the dispenser(36) of lotion dispenser kit. Insert the lotion dispenser kit into the hole of lavatory

Hand tighten the washer(40) and locknut to lotion dispenser kit from underside of lavatory.

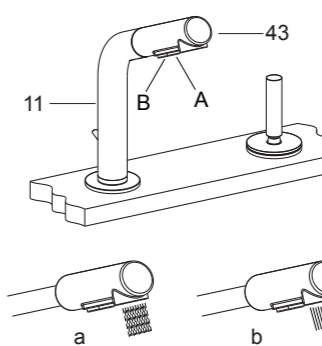
Tighten the lotion bottle(42) from the underside of lavatory.

## 使用说明

向上拉动出水口组件(11)可调整出水口高度。打开手柄,可得到水流(a);按下图中(A)处,可得到水流(b);按下图中(B)处,可关闭水流。

需手持使用花洒(43)时,取下花洒并拉出软管。

**注意:** 不要用力过猛或拉出过长,以免造成软管及接头损坏。



## OPERATING INSTRUCTION

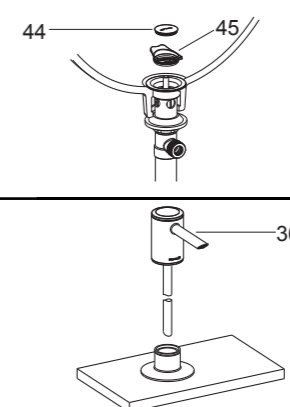
Position the spout kit(11) height by lifting the spout. Open the handle, the form of water as figure(a) shown. Press the button(A) as shown for figure(b) form of water flow. Press the button(B) as shown for the water close.

If you want to use the spray(43) by hand, take the spray and pull out the hose.

**NOTE:** Please pull it gently and do not draw out the spray hose too long, or you may damage the hose and connector.

### 如何清理排水器

逆时针旋下排水器止水塞(44),取出并清理滤网(45)。将滤网和止水塞重新装回。



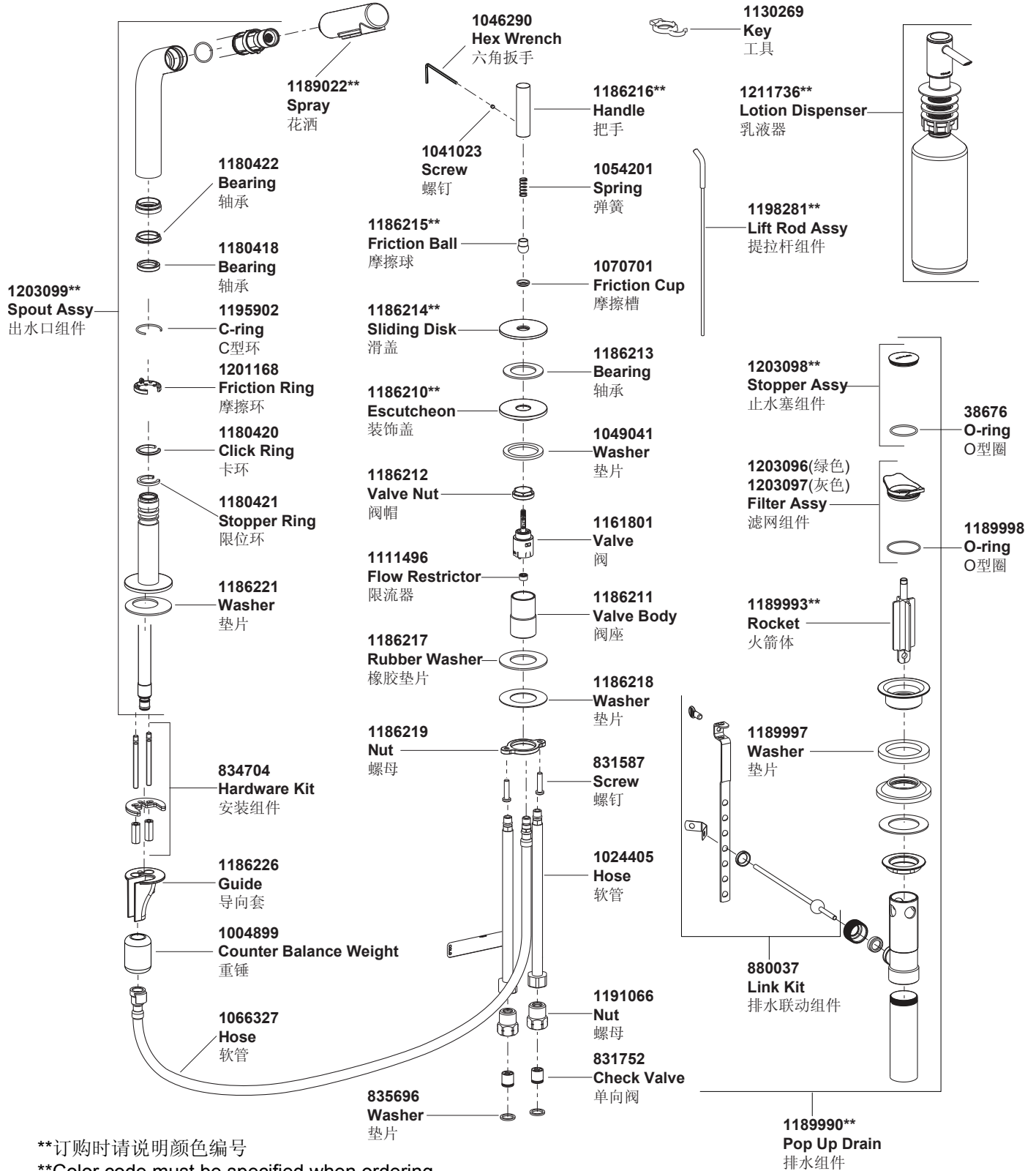
### How To Clean The Drain

Turn counterclockwise the drain stopper(44). Remove and clear filter(45). Reinstall the filter and stopper.

### 如何添加乳液

拔出乳液分配器(36),从脸盆上方倒入乳液,将乳液分配器重新装回。

#### 45758T-4 梳洗脸盆龙头



\*\*订购时请说明颜色编号

\*\*Color code must be specified when ordering