

BEFORE YOU BEGIN

- Please read these instructions carefully to familiarize yourself with the required tools, materials, and installation sequences. Follow the sections that pertain to your particular installation. This will help you avoid costly mistakes. In addition to proper installation, read all operating and safety instructions.
- All information in these instructions is based upon the latest product information available at the time of publication. Kohler China reserves the right to make changes in product characteristics, packaging, or availability at any time without notice.
- These instructions contain important care, cleaning, and warranty information - **please leave instructions for the consumer.**
- Observe all local plumbing and building codes.
- Carefully inspect the new urinal for damage.
- Site preparation may require additional tools and hardware.



CAUTION: Risk of personal injury or product damage. Handle with care. Vitreous china can break or chip if the product is handled carelessly.

安装之前

- 请通读本说明书，以便了解所需工具、材料及安装程序。请遵照相关章节进行安装，以避免由于安装不当而导致不必要的损失。除了有关正确的安装方法之外，还务请详阅所有操作及安全说明。
- 本说明书所含一切资料，均以印刷时所有的最新产品为准，科勒中国保留随时更改产品特性、包装或供应情况的权利，恕不另行通知。
- 本说明书也包含了有关护理、清洁及保养等重要资料 - 请交予用户保存。
- 遵守当地所有给排水及建筑规定。
- 仔细检查新的小便器是否损坏。
- 准备场地可能要求附加工具和硬件。



警告：可能有人身伤害或产品损坏的危险。小心处理，若有所马虎，陶瓷件可能碎裂。

RECOMMENDED TOOLS AND MATERIALS (NOT SUPPLIED)

- Open end/adjustable wrenches
- Tape measure
- Basin wrench
- Pipe wrench
- Square
- Level
- Pliers
- Socket wrench with sockets
- Screw driver
- Seal tape
- Connection wire
- Wire cutter
- Insulation tape
- Bushing
- Drill
- Sealant

所需工具及材料(不随货供应)

- 开口/活动板钳
- 卷尺
- 梅花板钳
- 管扳手
- 直角尺
- 水平尺
- 老虎钳
- 管钳子
- 十字螺丝刀
- 生料带
- 连接线
- 剥线器
- 绝缘胶布
- 电工套管
- 冲击钻
- 密封胶

SPECIFICATIONS

规格

Model	4888T
Power	2 "AA" size alkaline batteries
Liter per flushing	Water pressure at 0.18~0.55 MPa:no more than 0.5L Water pressure at 0.1 MPa:no more than 0.5L
Temperature	Environmental temperature: 1 to 55°C
Starting pressure	0.07Mpa (Dynamic pressure)~0.86MPa (Static pressure)
Testing time	About 4 seconds
Detecting method	Detecting the urine and human movement

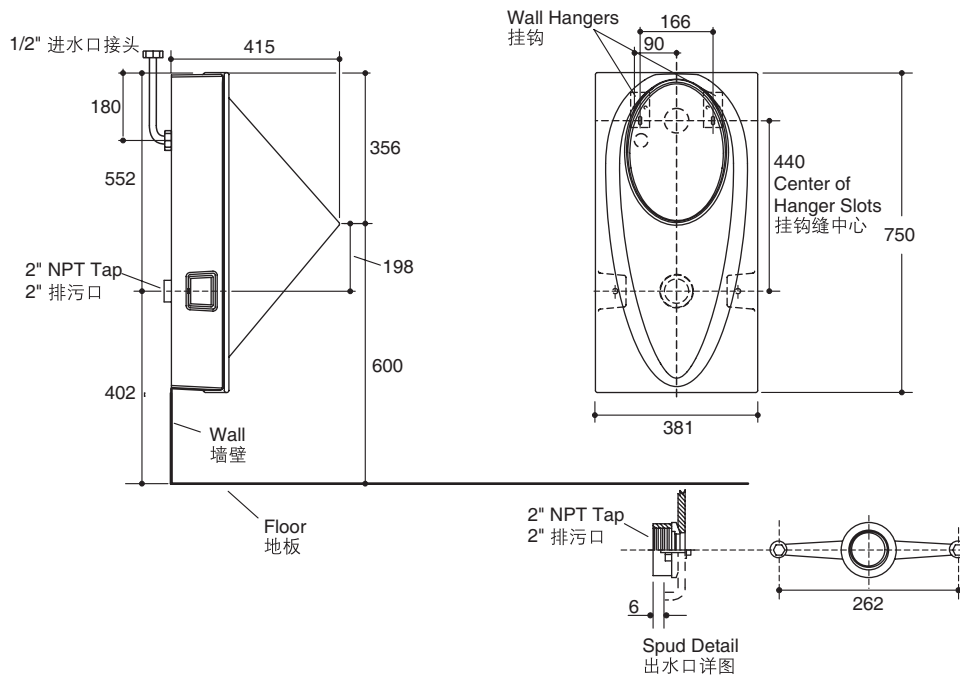
型号	4888T
电源	2节5号碱性电池(AA × 2)
冲洗水量	水压为0.18~0.55MPa.时, 不大于0.5L 水压为0.1MPa.时, 不大于0.5L
使用温度	环境温度:1~55°C
启动压力	0.07Mpa(动压)~0.86MPa(静压)
检测时间	约4秒
检测方式	检测尿液及人体运动

ROUGHING-IN

尺寸图

Reference Value
参考值

Unit:mm
单位: 毫米



科勒公司保留随时变更图中标示尺寸的权利, 无需另行通知。
Kohler reserves the right to change marked dimensions without prior notice.

Fig.1
图1

- Roughing-in dimensions are identical if using an optional 3" outlet spud.
- The urinal complies with ADA requirements when the rim is mounted no higher than 432mm from the finished floor.
- 若使用选用的3"出水口、尺寸图仍然相同。
- 当小便器前端边缘离地安装高度不高于432mm, 小便器符合ADA要求。

Notice: To ensure an effective flush performance, strongly recommended inner diameter of water supply (including water meter, valve, etc.) is no less than 25mm, and supplied water pressure (sensor inlet dynamic pressure) is 0.18MPa ~0.55MPa.

注意: 为保证有效冲洗, 推荐供水管路(包括水表、阀等)内径不小于25mm, 推荐供水水压(冲洗器进水口流动水压): 0.18MPa ~0.55MPa。

PREPARE THE SITE

NOTE: If a pre-existing waste pipe will be used and will result in an acceptable rim height (refer to the rough-in dimensions), follow the retrofit installation instructions.

For Retrofit Installations

- Turn the water supply line off, remove the existing urinal, then cap off the water supply line inside the wall.

For New Installations

- Install waste pipe as necessary to conform to the roughing-in dimensions.
- Install adequate support framing for the hangers as needed.

准备场地

注意: 如果现存的排水管可以使用, 边缘高度符合要求(参考尺寸图), 则参照更换安装说明安装。

对于更换安装

- 关闭水源, 移除现有的小便器, 然后封住墙内的供水管线。

对于全新安装

- 如有必要, 根据尺寸图安装排水管。
- 如有需要, 安装有足够承载能力的支撑架。

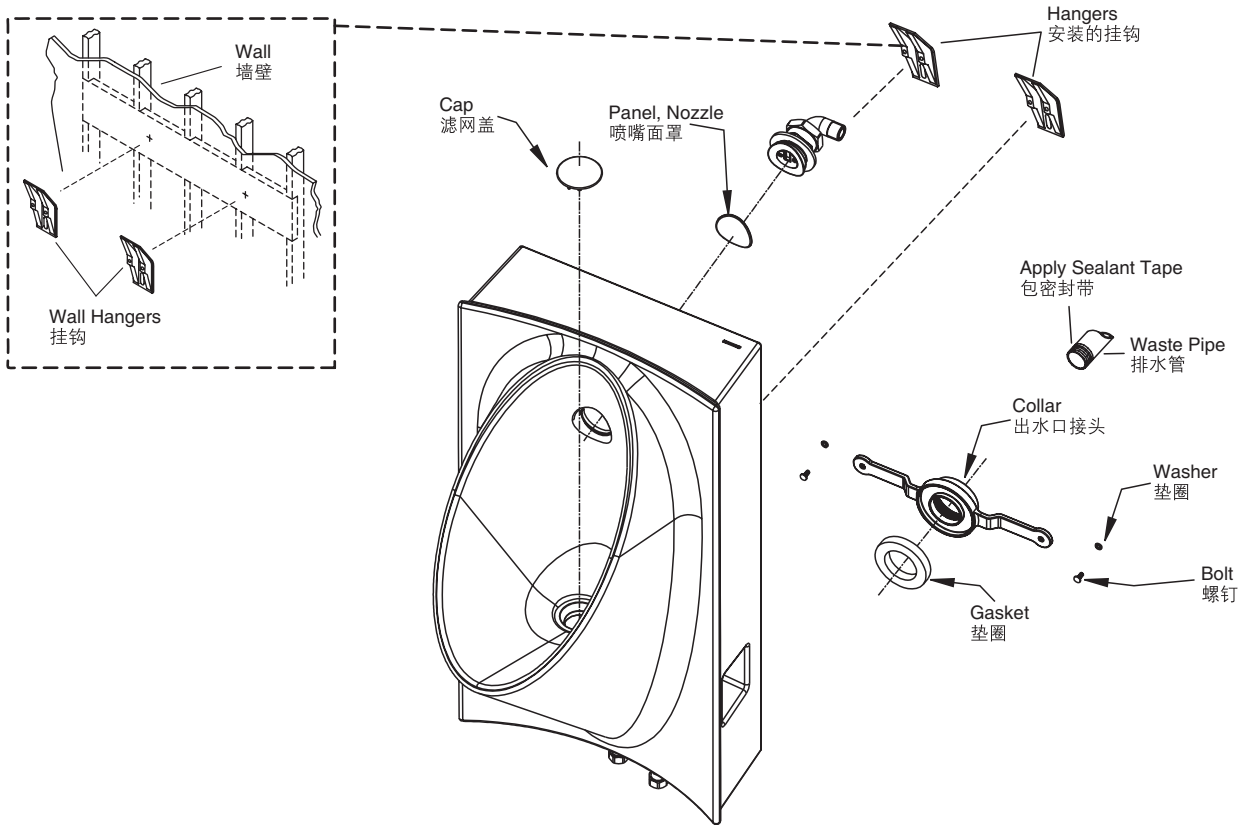


Fig.2
图2

INSTALLATION

安装步骤

A. Install hook

Drill 2 mounting holes on the wall and install hook. Fix hook on the wall by tightening screws.

A. 安装挂钩

按图中的安装尺寸在安装墙面打两个安装孔, 将挂钩安装槽对准安装孔, 将塑料套管插入安装孔, 用螺丝将挂钩紧固在安装墙面。

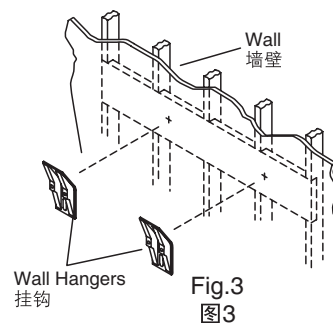


Fig.3
图3

B. Install urinal

B. 安装小便器

1. Install the sprayer and the adapter

1. 装喷头和转接头

- Insert the sprayer into the hole, with the guide hole in the middle.
- Install the gasket and screw the nut tight.

- 将喷头插入陶瓷孔，定位孔正中位。
- 装橡胶垫圈并旋紧锁紧螺母。

- Install the adapter and make the inlet at a 90 degree angle to the left, as shown in Fig. 5.

- 安装后进口向左侧呈90度角，如图5。

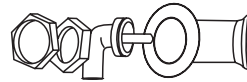


Fig.4
图4

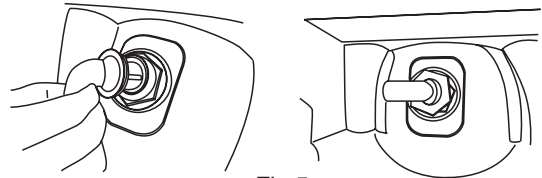


Fig.5
图5

2. Install the drain and the plastic trap

2. 装去水器 and 塑料弯管

- Put the washer onto the drain and insert it into the hole.
- Put the gasket and nut on the bottom.

NOTE: Do not over screw the nut in this step, because it is to be screwed tight in the next step after the pipe is installed.

- 将去水器套上垫圈并插入陶瓷孔。
- 底部套上橡胶垫圈和锁紧螺母。

注意：锁紧螺母不要旋紧，因为要在下一步安装弯管后才能旋紧。

- Connect the hose with the trap.
- Screw the trap onto the drain and screw tight.
- Screw tight the nut of the drain mentioned in step.

- 连接软管和塑料弯管。
- 将塑料弯管和去水器旋上拧紧。
- 旋紧第2步骤的去水器锁紧螺母。

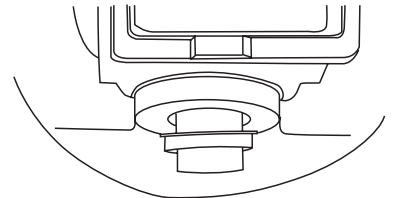
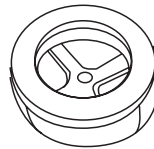


Fig.6
图6

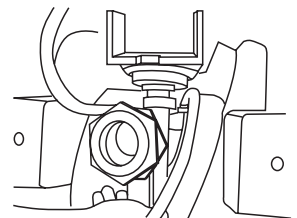
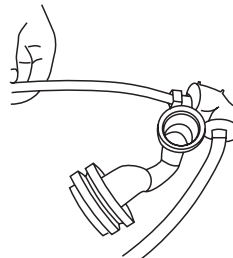


Fig.7
图7

- Screw on the drain lid.

- 旋上过滤器盖。



Fig.8
图8

3. Install the manual button and magnetic valve

3. 装手动按钮和电磁阀

- Install the magnetic valve.

- 装电磁阀。

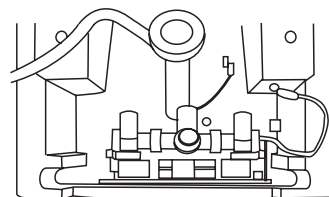


Fig.9
图9

b. Install the manual button. Insert the button into the hole, then put on the washer and the nut.

b. 装手动按钮。将手动按钮插入陶瓷孔并套上垫圈锁紧螺母。

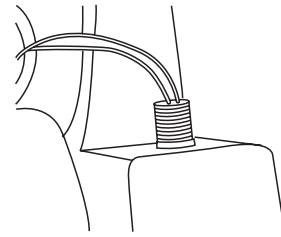


Fig.10
图10

c. Connect with the hose.

c. 连接软管。

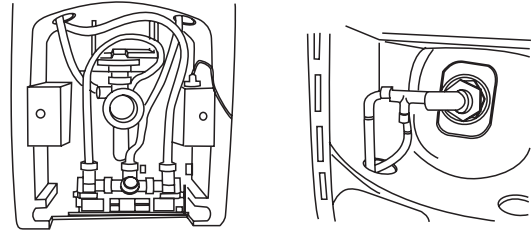


Fig.11
图11

4. Install the sensor controller

4. 装感应控制器

a. Install the sensor controller box.

b. Install the spring.

c. Connect the sensor wire.

a. 装感应控制盒。

b. 装弹性卡簧。

c. 连接感应线路。

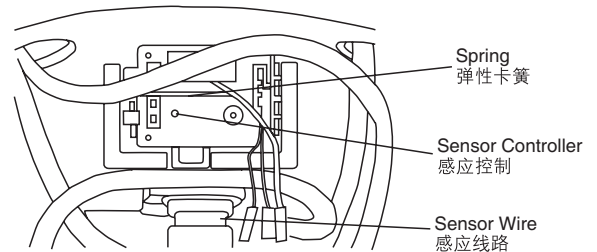


Fig.12
图12

C. Install and uninstall the Fixture, Valve Battery Box Assembly

Unscrew the screws on the Fixture, Valve, Battery Box Assembly and withdraw the clamp. Remove the Fixture, Valve Battery Box Assembly from the urinal by moving it rightwards and then downwards. Fix the Fixture, Valve Battery Box Assembly back to the urinal by doing the above steps inversely.

C. 支架阀体电池盒组件拆装

将支架阀体电池盒组件上的紧固螺钉拧松，然后抽出活动爪，将支架阀体电池盒组件整体向右抽出，再向下移动，便可将支架阀体电池盒组件从小便器上取下。将以上取出支架阀体电池盒组件整体的步骤反向操作，便可将支架阀体电池盒组件整体固定到小便器上。

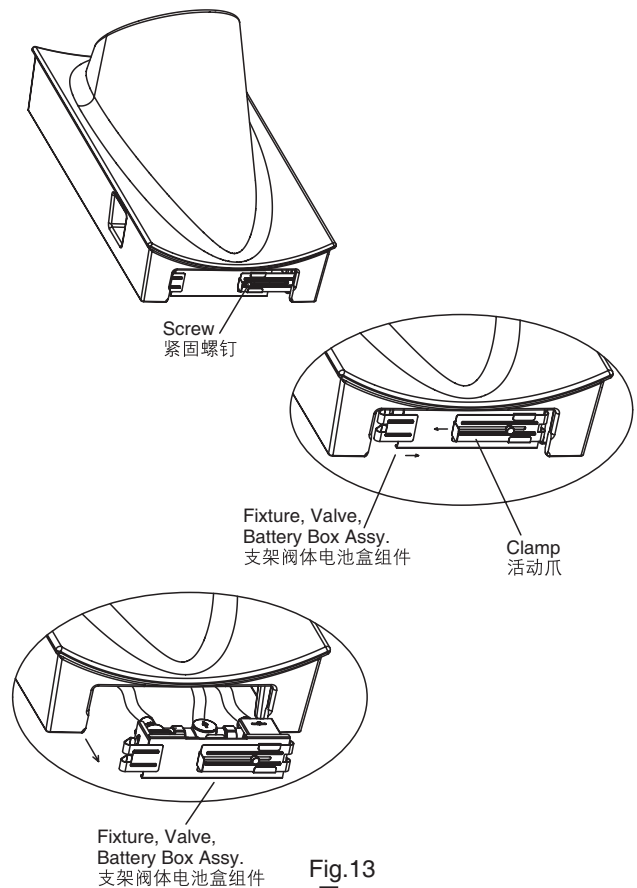


Fig.13
图13

Illustrations

使用示意图

The urinal will automatically flush after using.

使用后，小便器自动冲水。

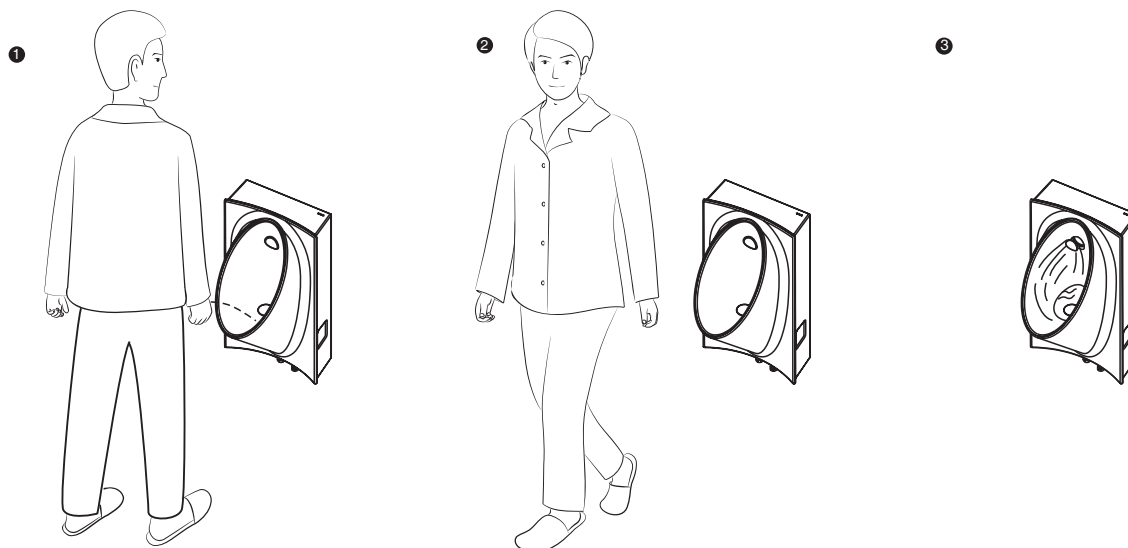


Fig.14
图14

Replacement of Batteries

When the batteries run out, please remove the Battery Box Assembly by following the instructions in step C and then replace the batteries.

电池的更换

当电池耗尽时，参照步骤C取下电池盒组件，并更换电池。

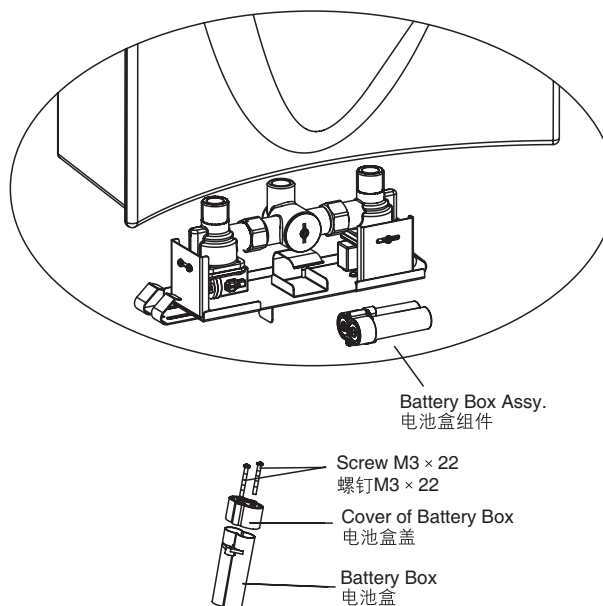


Fig.15
图15

Deodorizing Flushing

防臭冲洗

The urinal will take a flush automatically when it's used 3 or 4 times in 2 minutes.

当2分钟内连续3-4人以上使用时，小便器自动冲洗一次。


Manual Flushing

Press the manual button for about 2 seconds and the urinal will automatically flush once.

Sensorless Cleaning Mode

Enter or exit the sensorless cleaning mode by pressing the manual button for over 5 seconds.

Under this mode, press the manual button for about 2 seconds to control the urinal to flush or stop flushing. The longest continuous flushing time is about 15 seconds. This function will automatically exit after it is started for about 8 minutes.


 **Notice:** This function can be used after the power is turned on for ten minutes.

手控冲洗

按住手动按钮2秒左右，即能实现冲水一次。

无感应清洁模式

长按手动按钮5秒以上可进入或退出无感应清洁模式。无感应清洁模式下短按手动按钮2秒左右，可控制小便器出水或停水，最长持续出水时间约15秒。无感应清洁模式持续约8分钟后能自动退出。

 **注意：**接通电源十分钟后可使用以上功能。

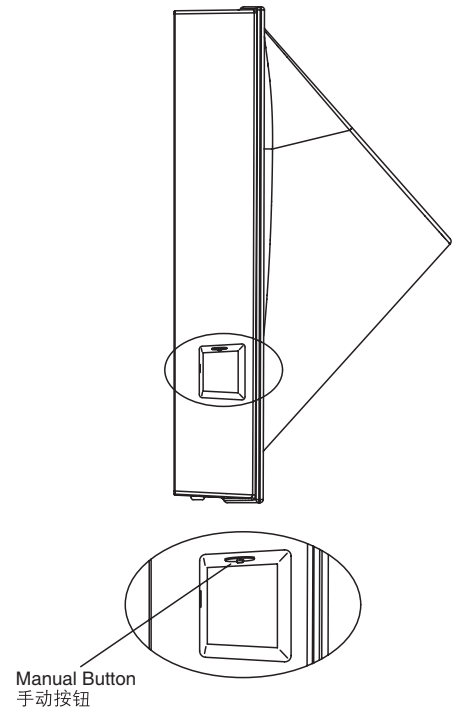



Fig.16
图16

MAINTENANCE

维护保养


Clean the Filter Screen

If the flushing volume declines sharply after installation or used for a long time with no cause from water pressure, the filter may need a wash. Please operate as following steps: Remove the Fixture, Valve, Battery Box Assembly and take out the filter, clean the filter and then reinstall it.

-  **Caution:**
- Turn off the water supply and power supply before cleaning the filter.
 - Avoid damaging or losing the filter during cleaning.

清洗过滤装置

初装或使用较长时间后，如发现出水量明显变小，而非水压原因，可进行以下操作：将支架阀体电池盒组件拆下，取出滤网，刷洗干净后重新装入即可。

-  **警告：**
- 清洗前，请先关闭水源，切断电源。
 - 清洗滤网过程中防止滤网变形损坏或丢失。

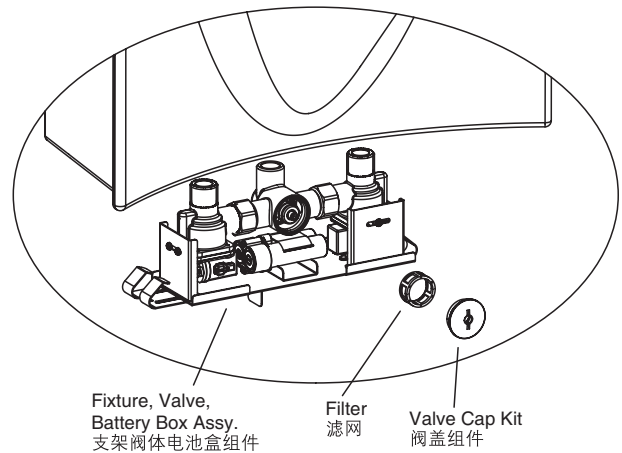


Fig.17
图17

TROUBLESHOOTING

Please make following checks before repair:

Symptoms	Probable causes	Corrective actions
No flushing	1. No power or mistake connected. 2. Not able to detect the urine. 3. Out of electricity.	1. Check the power connect. 2. See user's guide. 3. Replace batteries.
No flushing or poor flushing	1. Adjusting bolt not fully open 2. Low water pressure. 3. Filter is obstructed.	1. Open the adjusting bolt. 2. Improve water supply. 3. Clean the filter.
No flashing	1. The small hole of valve core is blocked. 2. The filter of valve core is blocked.	1. Clean the small hole of valve core with thin steel wire. 2. Wash the filter of valve core with a brush.

If the trouble remains after above-mentioned actions are taken, please contact with us via distributor.

简单故障排除

请在委托修理前做以下检查:

现象	可能原因	处理方法
不出水	1. 无电源或接线有误 2. 未检测到尿液 3. 电池耗尽	1. 检查电源连接 2. 见使用说明 3. 更换新电池
出水较差	1. 调节栓未完全打开 2. 水压太低 3. 过滤装置脏堵	1. 打开调节栓 2. 改善供水情况 3. 清洗过滤装置
不停水	1. 阀芯小孔堵塞 2. 阀芯滤网脏堵	1. 用细钢丝清理阀芯小孔 2. 清洗阀芯滤网

如按以上操作仍未解除故障, 请通过销售商与本公司联系。

IMPORTANT CONSUMER INFORMATION 用户须知

Consumer Responsibilities

- Do not directly flush the sensor with water. The sensor is an electronic instrument.
- Keep away from strong electromagnetic field.
- Clean the urinal with soft rag and neutral liquid detergent. Do not use eradicator, abrasive powder or oil, acid or alkali liquid detergent.
- Urinal is designed for use with potable water. Avoid water that includes a lot of contaminants or acid/alkali water and impure water.
- All electrical connection must be compliance with related regulation and codes.
- All installation staff should be well familiar with installation instruction.



WARNING: Never spit phlegm and throw stub or something else into the urinal.
Please avoid using articles either dissolvable or with the diameter smaller than 5mm, such as moth ball.



WARNING: Risk of product damage.
Do not throw into the urinal what is easy to block it, such as newspaper, paper pilch.
Do not bump the vitreous china with great force to prevent it from damaging and leaking.
Do not use the product in the water below 0°C.

用户责任

- 感应器为电子器具, 请勿直接用水冲洗。
- 请勿靠近强电磁场。
- 可用中性清洁剂和软布擦洗小便器。
禁止使用去污粉、研磨粉及油类、酸性类、碱性类清洁剂。
- 使用水源为自来水或可供饮用井水。
避免使用含有杂质较多或带有酸、碱性的处理水或未加工处理的水。
- 所有电路连接必须符合相关规范和条例要求。
- 所有参与安装人员都必须熟知安装说明。



警告: 请勿往小便器内吐痰、扔烟蒂等杂物。

请勿在小便器内放置直径小于5mm或可溶解的物品, 如樟脑球等。



警告: 提防损坏产品。
请不要向小便器内冲入新闻纸、纸尿裤等容易堵塞的物品。
请不要用重力撞击陶瓷, 以防止破损漏水。

不要在0°C以下的水环境中使用。