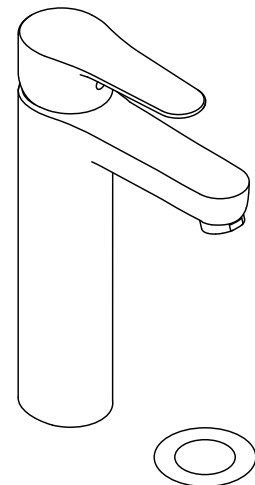


Features

- Brass construction
- Leak-free ceramic disc valve
- KOHLER finishes resist corrosion and tarnishing.
- Single hole installation
- Lever handle
- Spout reach 125mm
- Includes flexible G1/2 supply hoses for easy installation
- Includes drain






Codes/Standards

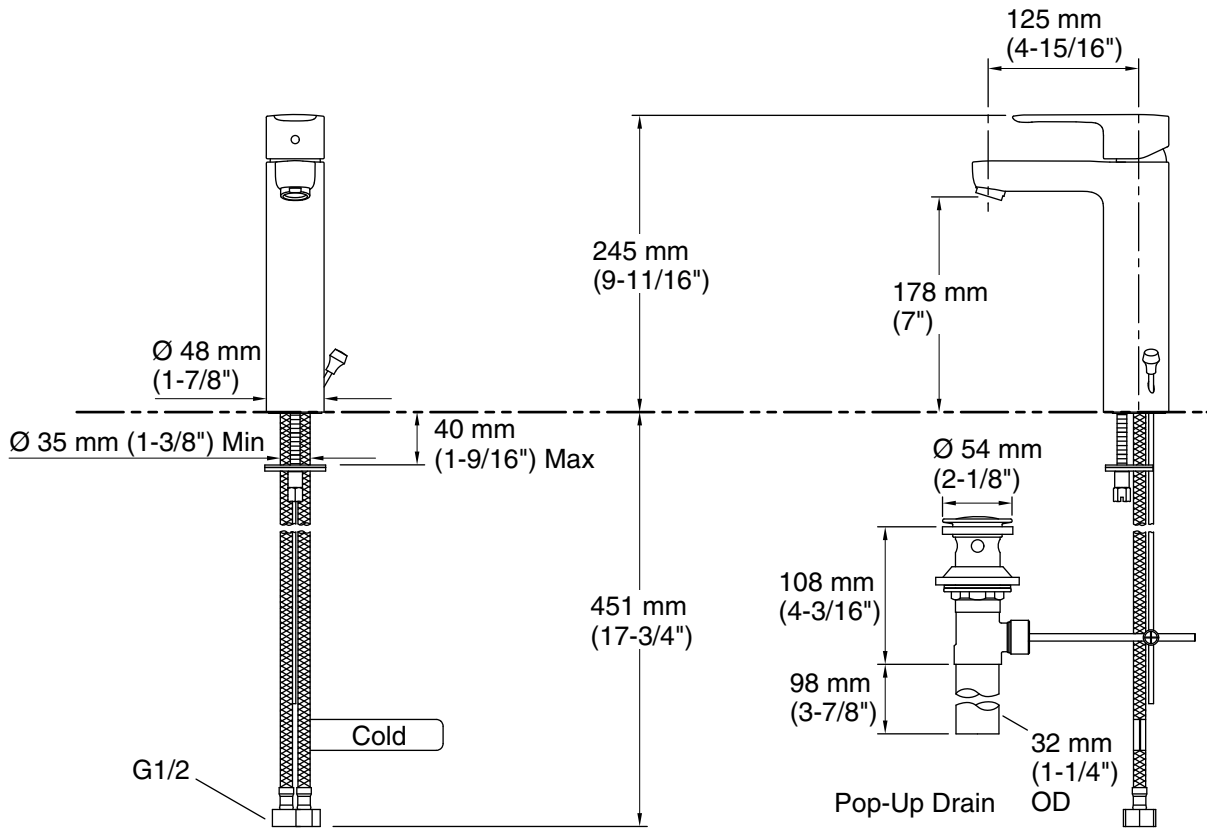
EN 817-2008
GB 18145-2014

Available Colors/Finishes

Color tiles intended for reference only.

Color	Code	Description
-------	------	-------------

	CP	
	AF	
	BN	



Technical Information

All product dimensions are nominal.

Faucet:

Flow rate: 2.37 gal/min (9 l/min)

Notes

Install this product according to the installation instructions.