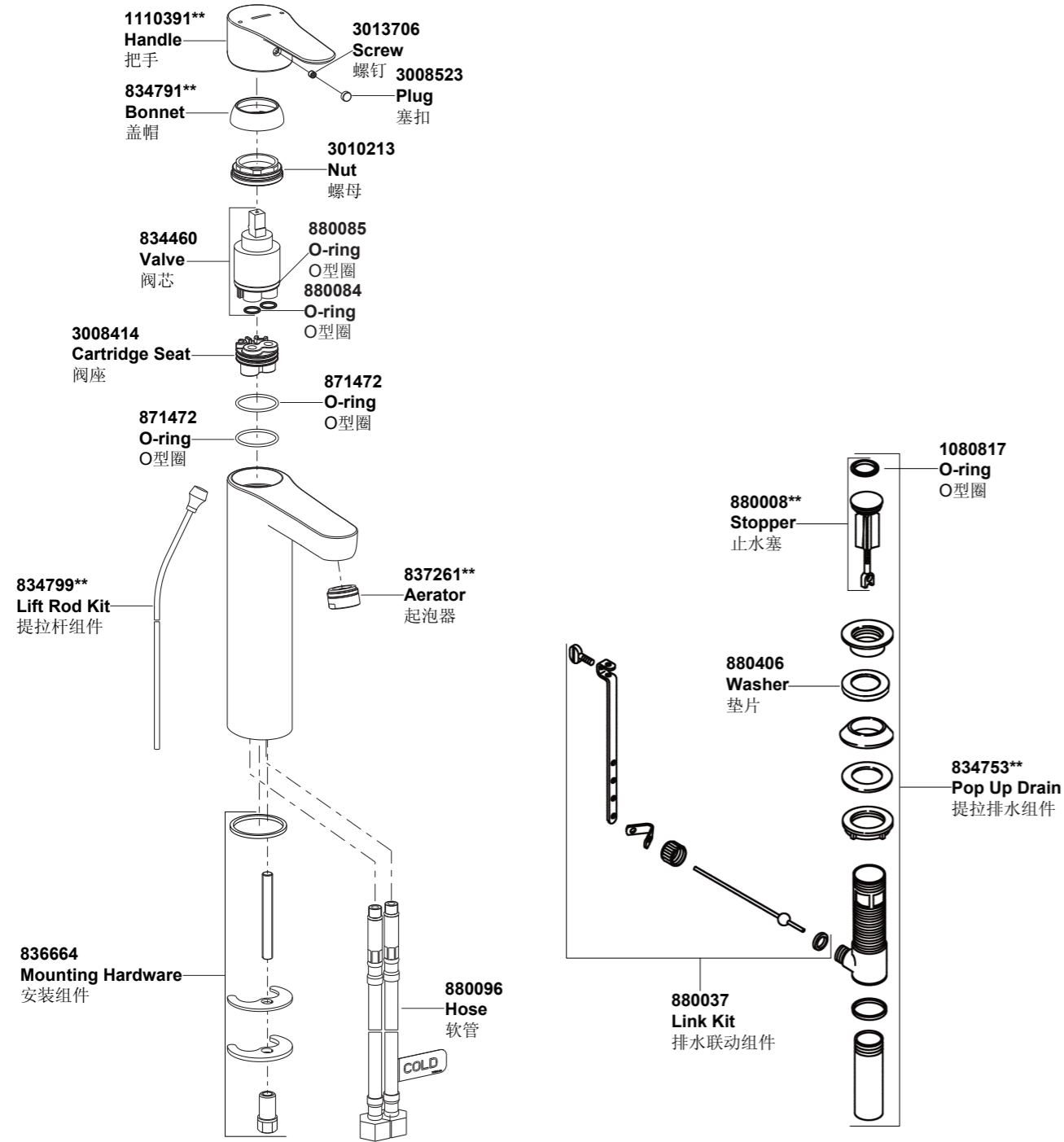


5241T-4 高把单孔面盆龙头



**订购时请说明颜色编号
**Color code must be specified when ordering

5241T-4 高把单孔面盆龙头

安装之前

所有的资料是按最新出版的产品资料编写而成。科勒公司保留任何时候不经通知即可改变产品特性、包装或产品可供类型的权利。

说明书包括重要的安装、保养及清洁方面的内容，请把这些资料交给用户阅读。

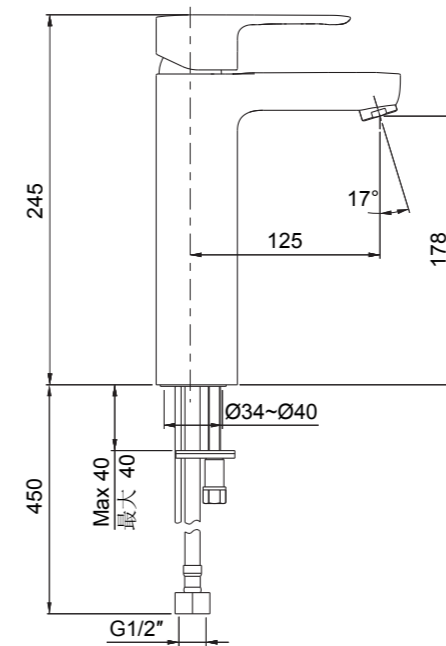
注意事项：

1. 一定要先彻底冲洗供水管以清除管道中的杂质。
2. 如果是安装新的洗面盆，可将水龙头先装好到洗面盆上。

使用说明

将把手轻轻提起，向左转为热水，向右转为热水。

安装尺寸



BEFORE YOU BEGIN

All information is based on the latest product information available at the time of publication. Kohler Co. reserves the right to make changes in product characteristics, packaging, or availability at any time without notice.

Please leave these instructions for the consumer. They contain important information.

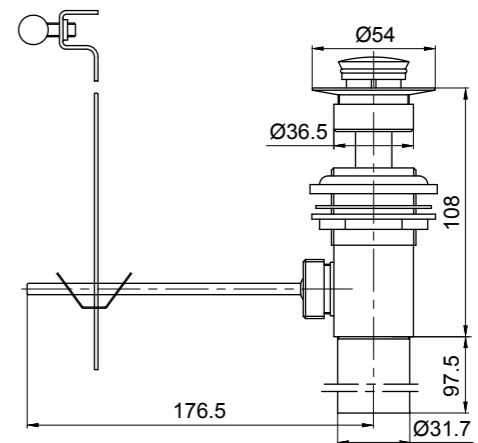
NOTES:

1. Flush the water supply pipes thoroughly to remove debris.
2. For new installations, assemble faucet to lavatory before installing lavatory.

HANDLE OPERATION

Lift the handle gently. Turn left for hot water, right for cold water.

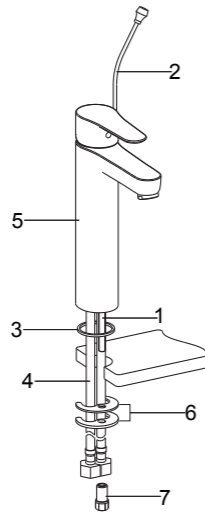
ROUGH-IN DIMENSIONS



安装步骤

如何安装水龙头

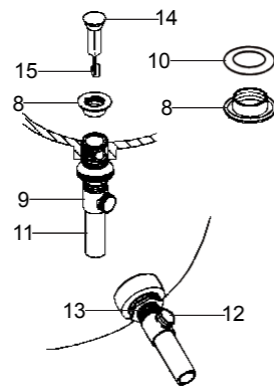
将安装组件中的固定螺杆(1)装在龙头底部孔中, 将提拉杆(2)插入水龙头后侧小孔中, 将垫片(3)通过软管(4)和固定螺杆放入本体(5)底部槽中, 将软管和固定螺杆插入面盆的安装孔中。调整好水龙头的位置。从面盆下方依次将托架(6)(橡胶垫片放在上面)套在固定螺杆上, 锁紧螺母(7), 以固定水龙头。



把软管接到水源。当面对龙头时, 左边接热水源, 右边接冷水源, 冷水管贴有“COLD”签。

如何安装排水器

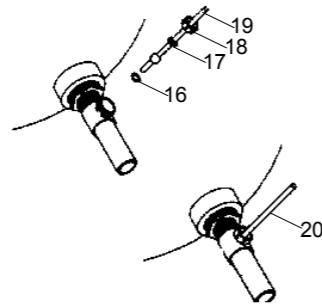
将盘片(8)从排水本体(9)取下, 在排水器盘片底部套上垫片(10), 用密封胶带(生料带)在排水器尾部(11)缠几圈, 装入排水本体。把排水本体从下方插入洗面盆, 排水杆口(12)朝后方, 把排水器盘片旋入排水本体中, 从下方用手拧紧锁紧螺母(13)。



把止水塞(14)放入排水本体中, 调整止水塞末端的洞口(15)使其靠近并对正排水杆的洞口。

注意: 如果需要, 可直接在排水器盘片(8)底面沿周围涂一圈密封油灰或其他密封剂, 而不使用橡胶垫片(10)。

将橡胶垫圈(16)装进排水杆口, 再把另一个塑料垫圈(17)和固定螺母(18)套进杆子长的一端(19)。把球动杆组件(20)插入排水杆口并穿过止水塞末端的洞口(15), 拧紧固定螺母。



确定球动杆指向洗面盆后方, 再次拧紧排水本体的锁紧螺母(13), 去除多余油灰。

INSTALLATION

How To Install The Faucet

Screw the stud(1) to the thread hole on the bottom of faucet. Insert the lift rod(2) into the hole at the rear of the body assembly. Put the washer(3) into the bottom of body(5) through the flexible hoses(4) and the stud. Insert hoses and stud into the hole of lavatory. Position the faucet. From underside of the lavatory, fit the bracket(6)(Rubber washer is on the top) onto the stud. Secure the faucet by tightening nut(7).

Attach the hoses to water supplies. When facing the front of the faucet, the left hose connects to hot water, the right hose with “COLD” label connects to cold water.

How To Install The Drain

Remove the flange(8) from drain body(9). Slide the washer(10) onto the underside of the drain flange. Apply thread tape to tailpiece(11). Install to drain body. Insert drain body into underside of lavatory with drain lever hole(12) facing to the back of lavatory and thread flange onto drain body until hand tight. Tighten the locknut(13) by hand from the underside of the fixture.

Place stopper(14) into drain body aligning the flat side of stopper hole(15) with the drain lever hole.

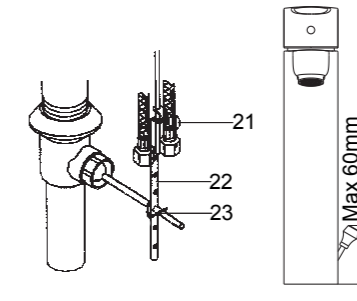
NOTE: If needed, apply a ring of plumbers putty or other sealants around the underside of the drain flange(8), instead of using rubber washer(10).

Place the rubber washer(16) into the drain lever hole. Put another plastic washer(17) and retaining nut(18) into the long end of ball lever rod(19). Insert the ball lever assembly(20) into the drain lever hole and through the stopper hole(15), and tighten the retaining nut.

Be sure that the ball lever points to the back of the lavatory. Tighten the locknut(13) onto the drain body. Remove any excess putty.

注意: 在锁紧螺母拧紧后, 不可调整排水本体的位置, 否则会破坏油灰密封或密封剂密封。

把手捻螺丝(21)装到联杆(22)上。用“V”形夹(23)将联杆连接到球动杆组件上, 将提拉杆插入联杆的孔中, 调整提拉杆的高度, 使得排水器在关闭状态下, 提拉杆距龙头安装面最高不能超过60毫米。



将球动杆下推到排水器全开的位置。拧紧手捻螺丝。

NOTE: Do not reposition the drain after the locknut is tightened, or you may break the putty seal.

Assemble thumb screw(21) to link(22), and link onto ball lever rod with “V”-clip(23). Slide lift rod through the hole of the link. Position the lift rod so that the length between the top of the lift rod and the mounting surface can not exceed 60mm when the drain is closed.

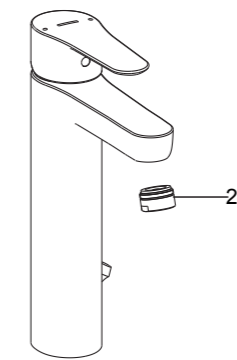
Push the ball lever down into the open position. Tighten thumb screw.

安装结果检查

检查并确保所有的衔接处都已拧紧, 确保把手在关的位置。

打开排水系统和主要供水源, 检查并修理有漏水的接口。

将起泡器(24)拆下。打开把手, 让水流出一分钟以清除杂质。冲洗起泡器, 关闭把手, 重新装回起泡器。



INSTALLATION CHECKOUT

Ensure that all connections are tight. Ensure that the handle is in the off position.

Turn on the drain and main water supply, and check for leaks. Repair as needed.

Remove the aerator(24). Turn on the handle. Run the water through the spout for about one minute to remove any debris. Remove any debris from the aerator. Shut off the handle. Reinstall the aerator.

清洗说明

适用于所有加工处理过的表面: 以中性肥皂水清洗镀层表面, 再以干净的软布彻底擦干整个表面, 许多清洁剂, 比如氨水、去污粉及洁厕灵等, 会对电镀表面造成伤害, 切忌使用。

有磨损性的清洁用具或清洁剂也不可适用于科勒牌的水龙头及其配件上。

CLEANING INSTRUCTIONS

All Finishes: Clean the finish with mild soap and warm water. Wipe entire surface completely dry with clean soft cloth. Many cleaners may contain chemicals, such as ammonia, chlorine, toilet cleaner etc. which could adversely affect the finish and are not recommended for cleaning.

Do not use abrasive cleaners or solvents on Kohler faucets and fittings.