

**Product**

- Forefront rectangular vessel basin

**Kohler Code**

5373T-0



Tapware and waste not included

**Included Components**

- Bench top cutting template

**Features**

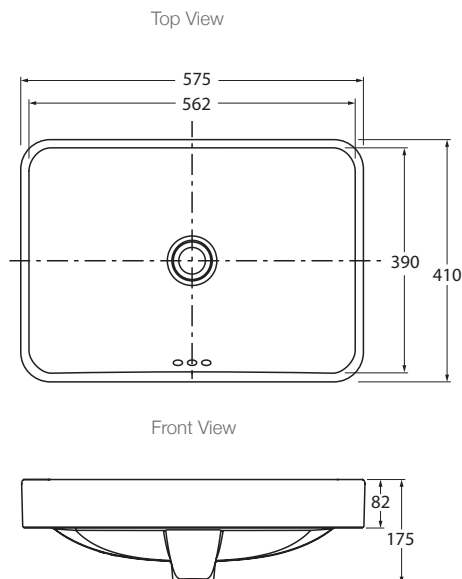
- Bench top installation
- Overflow outlet
- Vitreous china

**Optional Accessories**

- Tapware (page 6.0.1)
- Generic basin accessories (section 1.8)

**Related Products**

- Forefront basins (page 1.0.1)

**Technical Details**

Weight: 15kg Appr

**Installation Notes:**

- Allow a minimum of 50mm from the wall for easy cleaning.
- A hole for the basin needs to be made in the bench top (please refer to cutting template).
- The basin is fixed to the bench top using the appropriate silicone sealant (not supplied).