

Features

- Framed, 1/8" (3 mm) thick tempered glass
- Tempered glass ensures enhanced safety and durability
- Exterior towel bar
- Continuous guide mechanism for smooth, quiet sliding action and easy cleaning

Material

- Anodized aluminum prevents rust and corrosion

Installation

- Out-of-plumb adjustability simplifies installation
- Door can be installed to open to the left or right to suit your bathroom layout
- For residential use only
- Not for use in hospitality



Codes/Standards

ANSI Z97.1
CAN/CGSB-12.1
CPSC 16CFR 1201



**STERLING® Bath and Shower Doors
Five-Year Limited Warranty**

See website for detailed warranty information.

Available Colors/Finishes

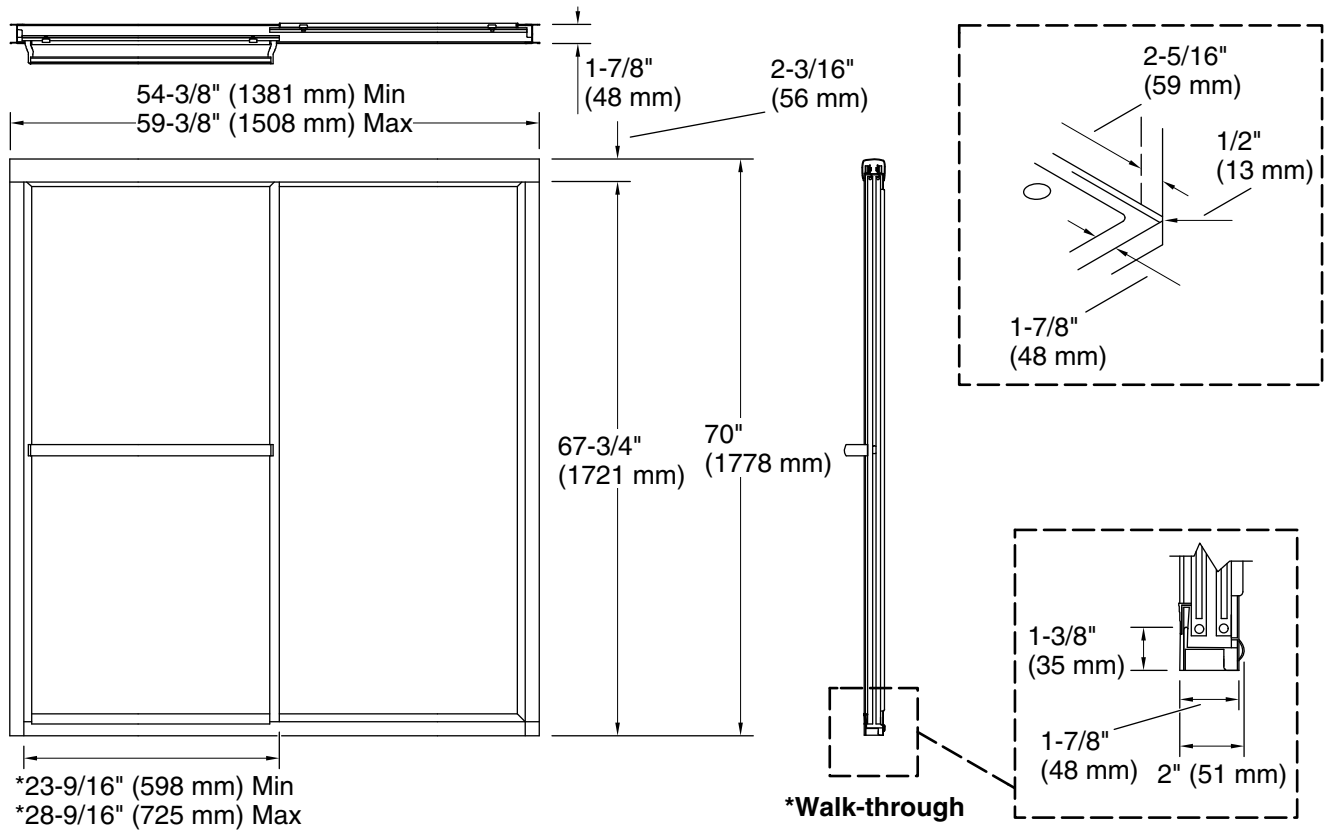
Color tiles intended for reference only.

Color Code Description

	N	Nickel
	S	Silver

Available Glass Options

Code	Description
G05	Clear



Technical Information

All product dimensions are nominal.

- Base-To-Wall 1/2" (13 mm)
- Radius – Max:
- Shower Ledge Min 1-7/8" (48 mm)
- Flat:
- Shower Wall Min 2-5/16" (59 mm)
- Flat:

Notes

The vertical opening should be a minimum of 71-1/2" (1816 mm) to allow for installation clearance.