

**Features**

- 1/8" (3 mm) thick tempered and fully framed Clear glass ensures enhanced safety and durability
- Bypass system allows for easy access and suits your bathroom layout whether your showerhead is on the right or left
- Reversible top track and towel bar allow a choice between rounded or accented design
- Continuous bottom track guide system for smooth, quiet, and stable operation
- Made in the U.S.A

**Material**

- Anodized aluminum prevents rust and corrosion

**Installation**

- Fits opening widths 54-3/8" - 59-3/8" (1381 - 1508 mm)
- Requires 2" (51 mm) minimum threshold depth
- Out-of-plumb adjustability simplifies installation
- For residential use only
- Not for use in hospitality



**Codes/Standards**


ANSI Z97.1  
CAN/CGSB-12.1  
CPSC 16CFR 1201

**STERLING® Bath and Shower Doors  
Five-Year Limited Warranty**

See website for detailed warranty information.

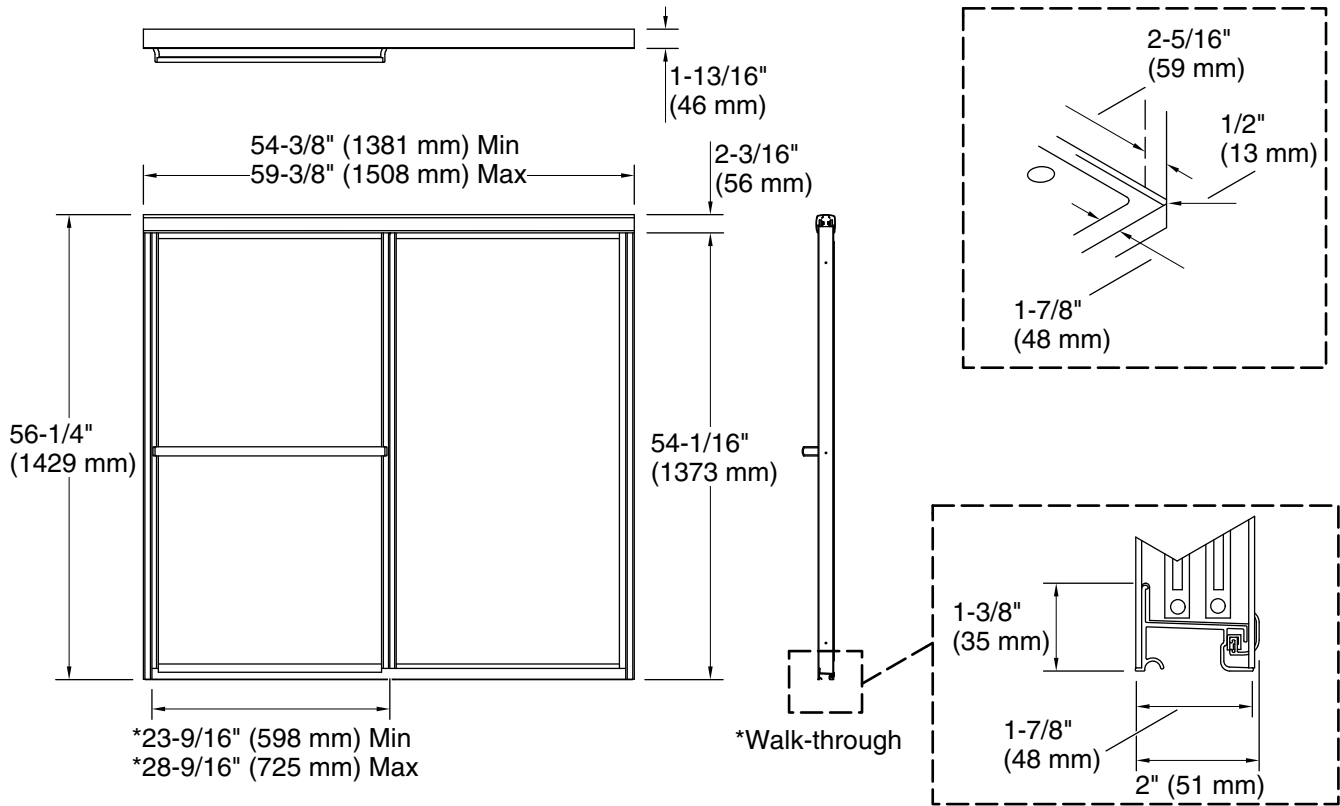
**Available Colors/Finishes**

*Color tiles intended for reference only.*

Color	Code	Description
	S	Silver

**Available Glass Options**

Code	Description
G05	Clear



**Technical Information**

All product dimensions are nominal.

- Base-To-Wall 1/2" (13 mm)
- Radius – Max:
- Shower Ledge Min 1-7/8" (48 mm)
- Flat:
- Shower Wall Min 2-5/16" (59 mm)
- Flat:

**Notes**

Install this product according to the installation instructions.

The vertical opening should be a minimum of 57-11/16" (1465 mm) to allow for installation clearance.