

**Features**

- Framed, 1/8" (3 mm) thick tempered glass
- Towel bar
- Tempered glass ensures enhanced safety and durability

**Material**

- Anodized aluminum prevents rust and corrosion

**Installation**

- Out-of-plumb adjustability simplifies installation
- Not for use in hospitality
- For residential use only



**Codes/Standards**

ANSI Z97.1  
CAN/CGSB-12.1  
CPSC 16CFR 1201

**STERLING® Bath and Shower Doors  
Five-Year Limited Warranty**

See website for detailed warranty information.

**Available Colors/Finishes**

*Color tiles intended for reference only.*

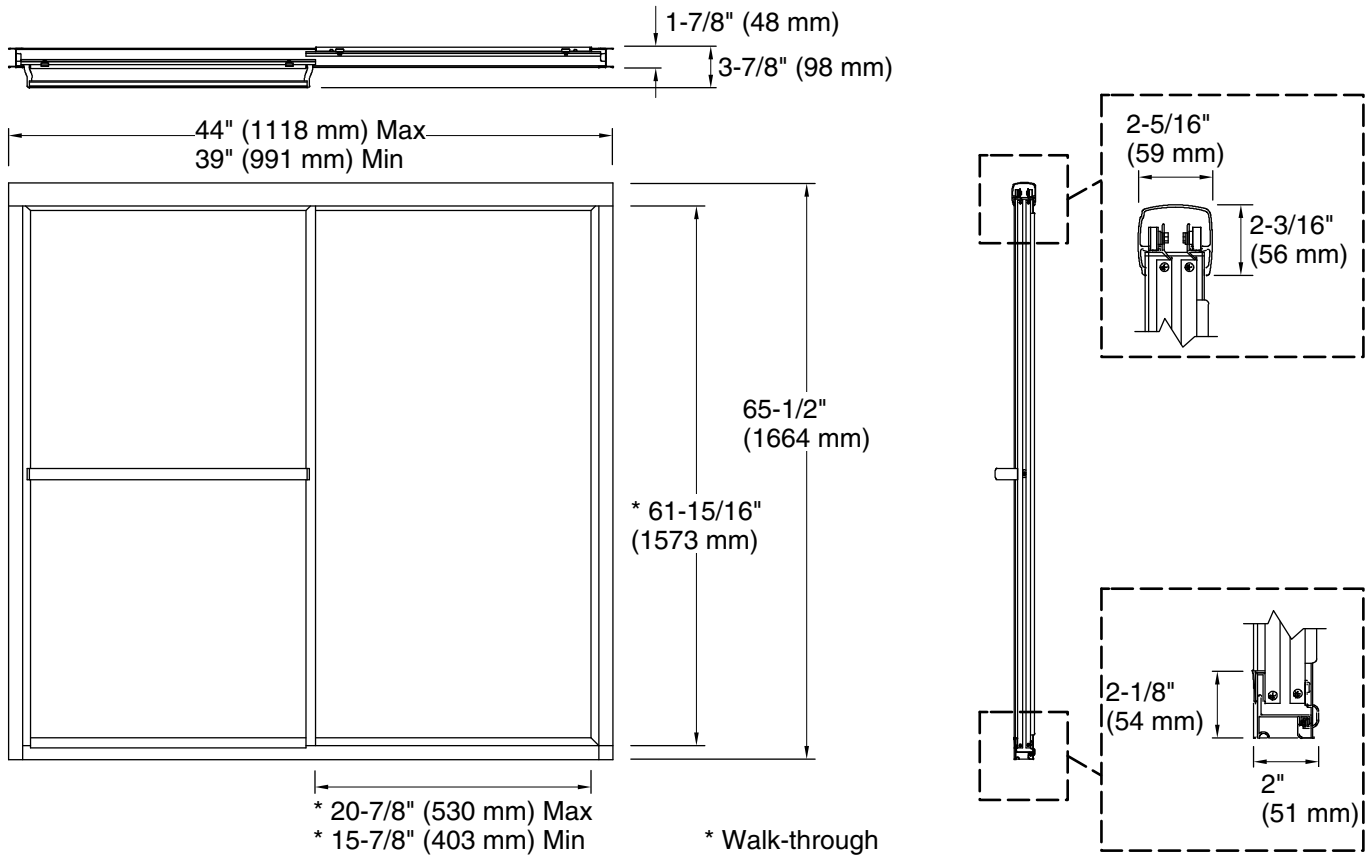
**Color Code Description**

■ S Silver

**Available Glass Options**

**Code Description**

Pebbled



**Technical Information**

All product dimensions are nominal.

- Base-To-Wall 1/2" (13 mm)
- Radius – Max:
- Shower Ledge Min 1-7/8" (48 mm)
- Flat:
- Shower Wall Min 2-5/16" (59 mm)
- Flat:

**Notes**

Install this product according to the installation instructions.

The vertical opening should be a minimum of 66-15/16" (1700 mm) to allow for installation clearance.