

Features

- One of Sterling's most popular door series
- Framed style
- Reversible top track and towel bar
- Smooth, quiet operation
- Tempered glass ensures enhanced safety and durability

Installation

- Not for use in hospitality
- For residential use only



Codes/Standards

ANSI Z97.1
CAN/CGSB-12.1
CPSC 16CFR 1201

**STERLING® Bath and Shower Doors
Five-Year Limited Warranty**

See website for detailed warranty information.

Available Colors/Finishes

Color tiles intended for reference only.

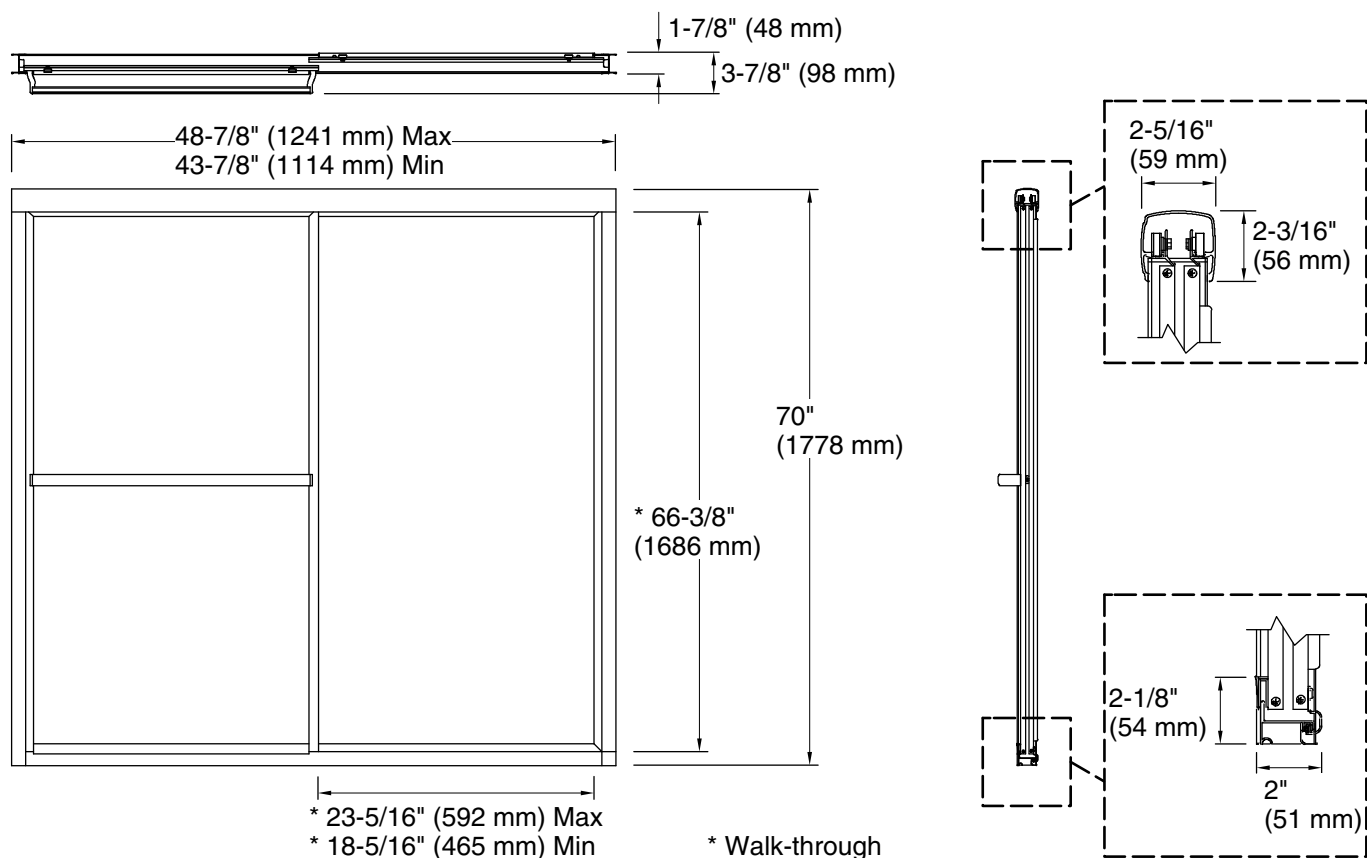
Color Code Description

■ S Silver

Available Glass Options

Code Description

Pebbled



Technical Information

All product dimensions are nominal.

- Base-To-Wall 1/2" (13 mm)
- Radius – Max:
- Shower Ledge Min 1-7/8" (48 mm)
- Flat:
- Shower Wall Min 2-5/16" (59 mm)
- Flat:

Notes

Install this product according to the installation instructions.

The vertical opening should be a minimum of 71-3/8" (1813 mm) to allow for installation clearance.