

### 607T

### 落地支架

#### 安装之前

所有的资料是按最新出版的产品资料编写而成。科勒公司保留任何时候不经通知即可改变产品特性、包装或产品可供类型的权利。

说明书包括重要的安装、保养及清洁方面的内容,请把这些资料交给用户阅读。

#### 注意事项:

1. 一定要先彻底冲洗供水管以清除管道中的杂质。
2. 该支架只具有连接功能,它必须与具有冷热控制开关的与之相配合的科勒浴缸龙头配合使用。

#### BEFORE YOU BEGIN

All information is based on the latest product information available at the time of publication. Kohler Co. reserves the right to make changes in product characteristics, packaging, or availability at any time without notice.

Please leave these instructions for the consumer. They contain important information.

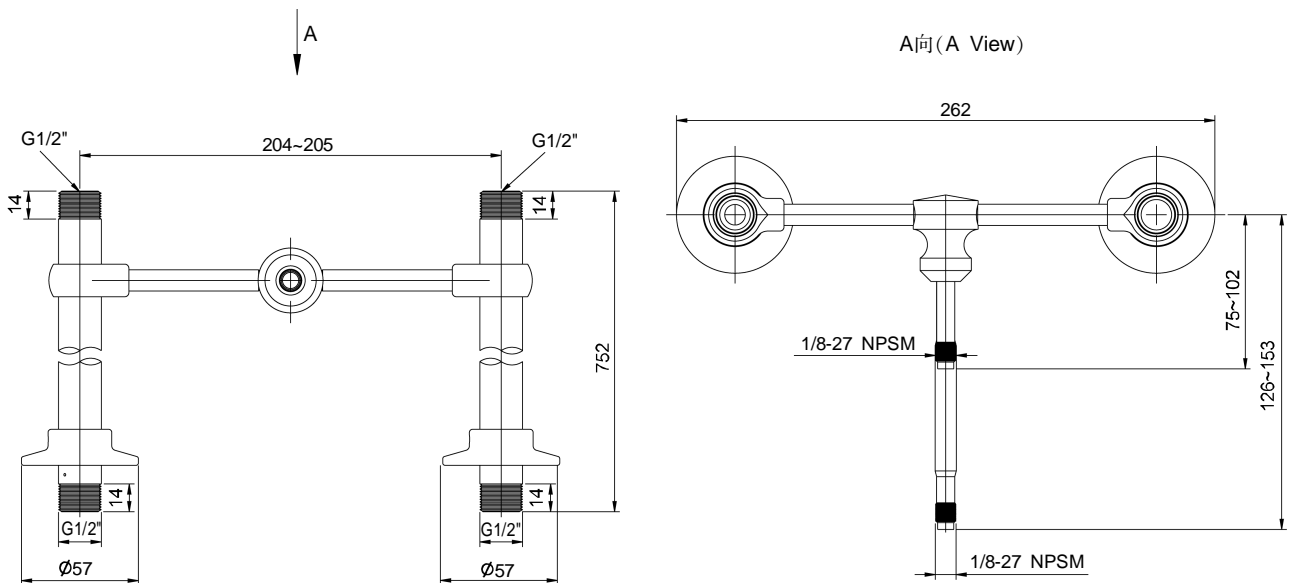
#### Notes:

1. Flush the water supply pipes thoroughly to remove debris.
2. The riser tubes are for connection only. It must be matched with the mixer from Kohler Co..

#### 安装尺寸

#### ROUGH-IN DIMENSIONS

### 607T



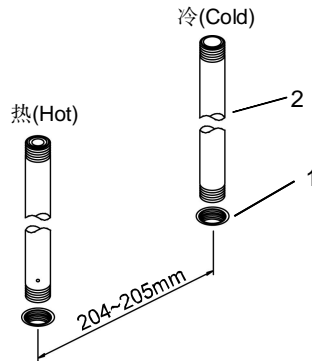
## 安装步骤

### 如何安装水管

根据选配的浴缸和龙头确定安装位置。为使安装顺利, G1/2" 内螺纹管道配件(1)应已装好, 中心距 204mm~205mm, 垂直并不高出装修好的地面。

螺纹处须缠绕足以密封的密封胶带或适合的密封胶, 将冷热水管(2)旋入管道配件(1), 保持两进水管相互平行且高度一致。

**注意:**带小孔的热水管安装在左侧, 小孔朝下。



## INSTALLATION

### How To Install Pipes

Determine a suitable location according to the bath and faucet purchased. To perform installation, installer must provide G1/2" female supply fittings(1), space 204mm~205mm apart, perpendicular and not extending to the finished floor.

Supply enough tape or sealant on bottom threads. Connect G1/2" hot and cold riser tubes(2) to supply fittings(1). Ensure that riser tubes are parallel to each other and at the same height.

**Note:** The hot riser tube with small hole should be installed on the left and keep the hole downwards.

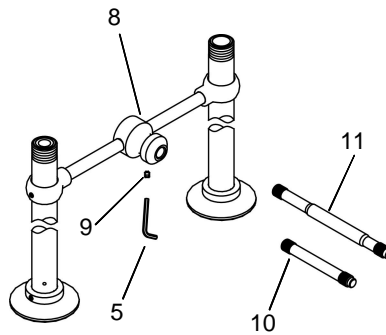
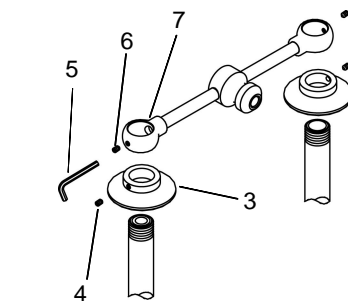
### 如何安装装饰盖和连接组件

**注意:**安装前, 检查螺钉(4)是否露出装饰盖(3)内表面, 螺钉(6)是否露出托架(7)内表面, 如露出用扳手将其退出, 防止划伤水管表面。

将装饰盖(3)套入冷热水管(2), 下推直至与装修好的地面接触。用六角扳手(5)锁紧螺钉(4)以固定装饰盖。

通过旋转托架(7)调节连接组件的中心距, 使其与管中心距一致。调节时注意两边不露出螺纹。

根据浴缸落水与冷热水管之间距离选择连杆(10)或加长连杆(11), 旋入 T 型接头(8)并调节到适当的长度。



### How To Install The Escutcheons and Connection Assembly

**Note:** Ensure the screws(4) are not beyond internal surface of escutcheons(3) and the screws(6) are not beyond internal surface of brackets(7) before installation. Or adjust it by hex wrench(5). In order to avoid damage the riser tube surface.

Slide escutcheons(3) onto the pipes. Push it against the finished floor. Secure it with screws(4) by hex wrench(5).

Rotating brackets(7), adjust the center-to-center distance of brackets according to that of riser tubes. Ensure threads are not exposed.

According to the distance between bath drain and riser tubes, select fastener rod(10) or extension fastener rod(11). Thread it into tee(8), and adjust to suitable length.

将调节好的连接组件套入冷热水管。根据浴缸落水安装说明选择适当的安装高度,连接浴缸落水,用六角扳手(5)锁紧固定螺钉(6、9)。

Slide connection assembly onto the hot and cold riser tubes. Position and connect to the bath drain .Secure screws(6, 9) by hex wrench(5).

## 安装后检查

## INSTALLATION CHECKOUT

堵住两个管段,打开主供水源,检查并修理有漏水的接口。关闭主供水源。

Install plugs on hot and cold pipes. Turn on the main water supply. Check for leaks. Repair as required. Turn off the main water supply.

## 清理说明

## CLEANING INSTRUCTIONS

适用于所有加工处理过的表面:以中性肥皂温水清洗镀层表面,再以干净的软布彻底擦干整个表面。许多清洁剂,比如氨水、去污粉及洁厕灵等,会对电镀表面造成伤害而不宜使用。

All Finishes: Clean the finish with mild soap and warm water. Wipe entire surface completely dry with clean soft cloth. Many cleaners may contain chemicals, such as ammonia, chlorine, toilet cleaner etc. which could adversely affect the finish and are not recommended for cleaning.

有腐蚀性的清洁剂或溶剂不可用于科勒牌的水龙头及其附件上。

Do not use abrasive cleaners or solvents on Kohler faucets and fittings.

## 607T 落地支架

