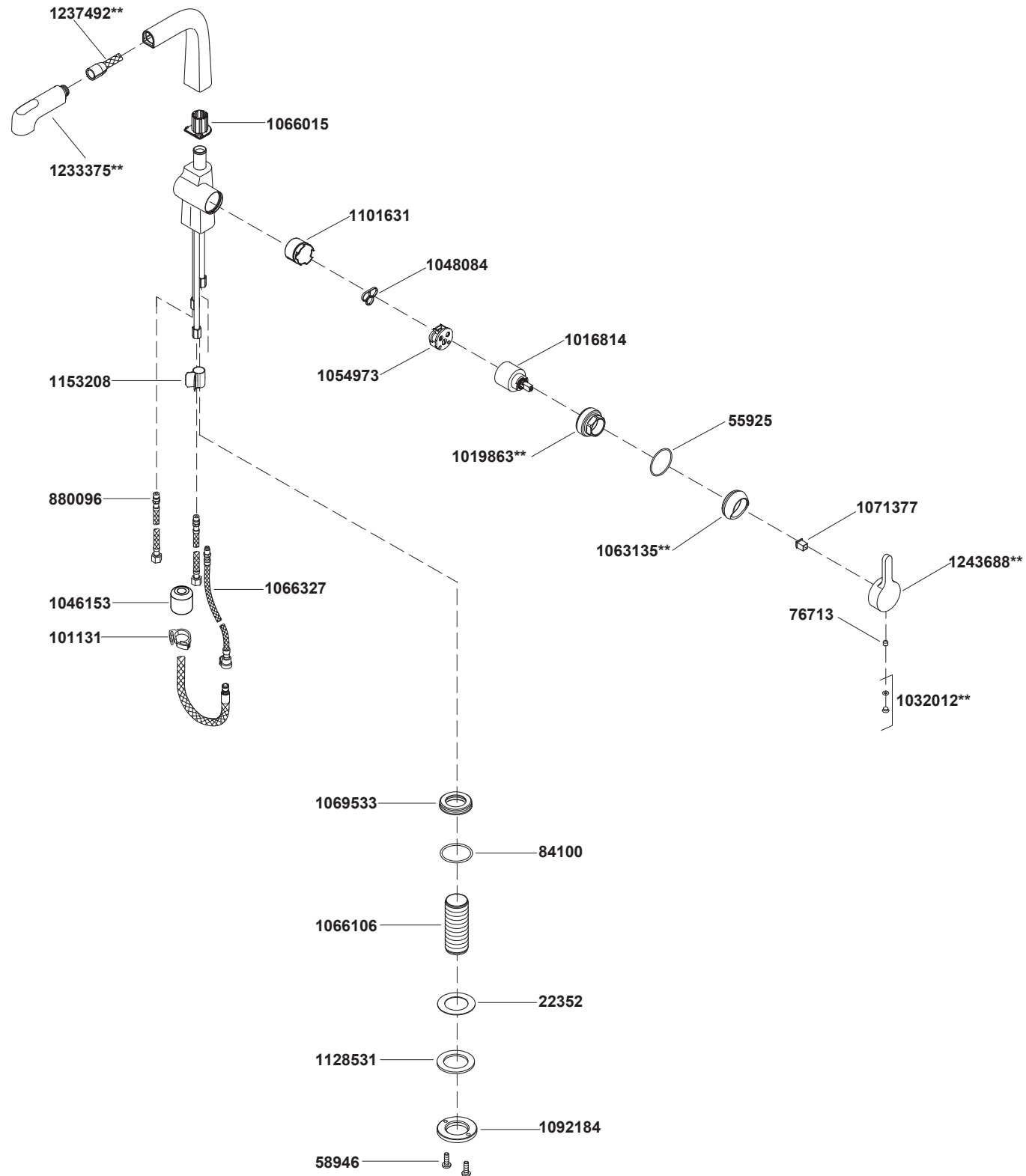


6332T-B4 Pullout Secondary Kitchen Faucet



**Color code must be specified when ordering

6332T-B4 Pullout Secondary Kitchen Faucet

BEFORE YOU BEGIN

All information is based on the latest product information available at the time of publication. Kohler Co. reserves the right to make changes in product characteristics, packaging, or availability at any time without notice.

Please leave these instructions for the consumer. They contain important information.

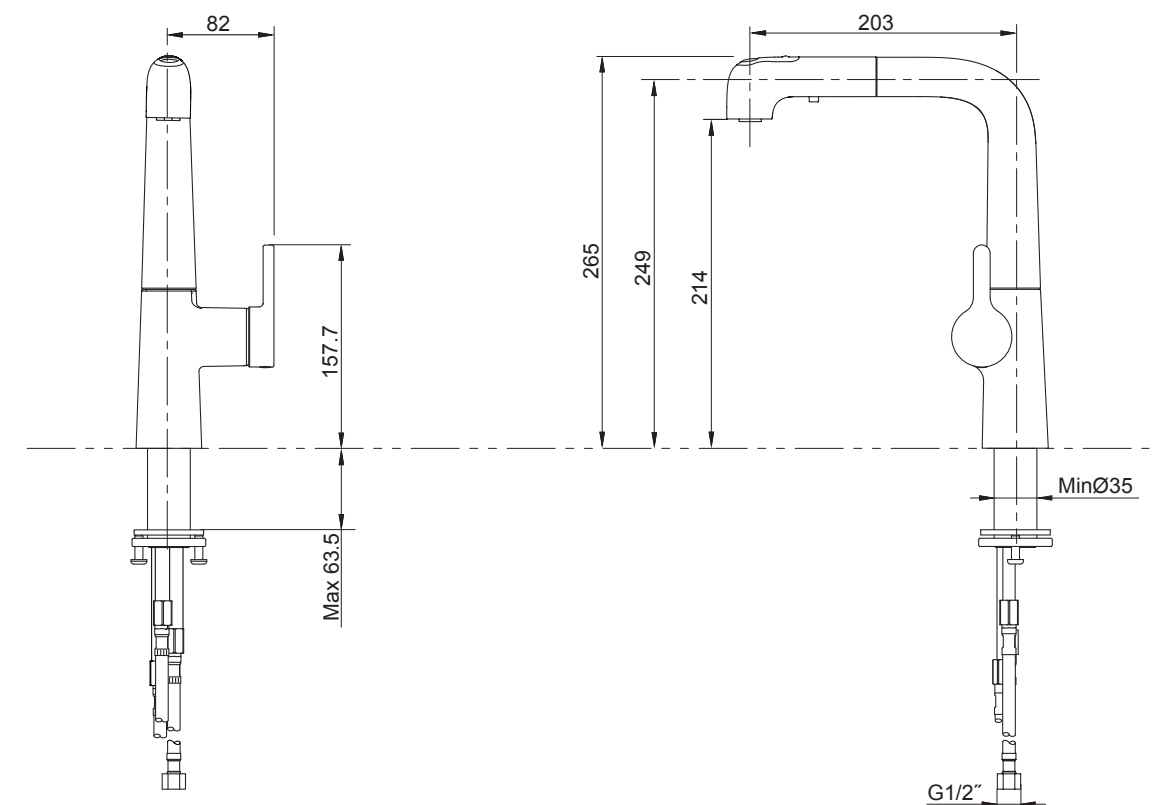
NOTES:

1. Flush the water supply pipes thoroughly to remove debris.
2. For new installations, assemble the faucet to sink before installing.
3. The highest working pressure for handspray & shower head is 0.5MPa(5bar). If it exceeds 0.5MPa(5bar), a pressure reducer is needed. The highest water and environment temperature is 60°C. Please keep handspray, shower head and the shower arm away from heater, or it may become damaged and cause injury to the user.

HANDLE OPERATION

Lift the handle gently. Turn clockwise for cold water, counter-clockwise for hot water.

ROUGH-IN DIMENSIONS



INSTALLATION

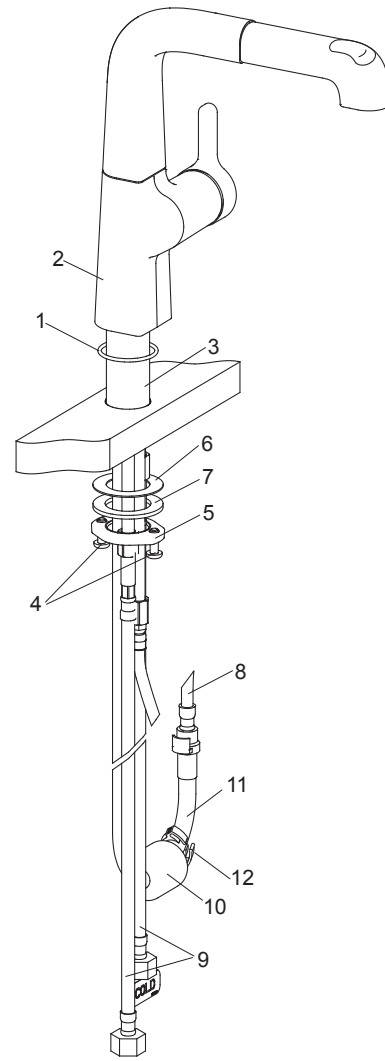
How To Install The Faucet

Slide the o-ring(1) into the groove of the body(2). Put the hoses and shank(3) into the mounting hole of the sink. Let the bottom of the body against the deck.

Screw two screws(4) into the threaded ring(5). From underside of the sink, place the washer(6), the metal washer(7) and threaded ring with two screws onto the shank. Position the faucet so that the hose(8) is toward the front and two hoses(9) are symmetrical. Tighten two screws to secure faucet to sink.

Attach the hoses to water supplies. When facing the front of the faucet, the left hose is cold water, the right is hot water.

Put the weight(10) and clip(12) onto the hose assembly(11). Adjust the weight so that the distance is right from the bottom of the faucet to the weight. Insert the hose assembly(11) into the hose(8).

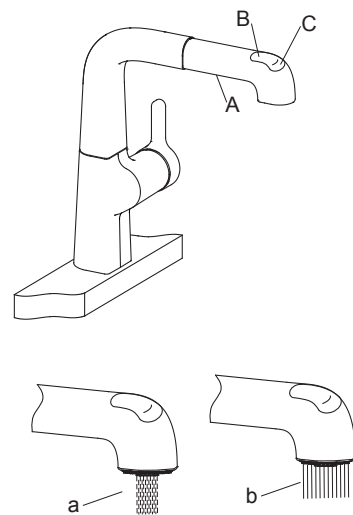


How To Use Spray

Open the handle, if you want to use the spray by hand, take the spray and pull out the hose.

Press the button(A) as shown for the water close. Press the button(B), (C) as shown for two different forms of water flow, as figure(a), (b) shown.

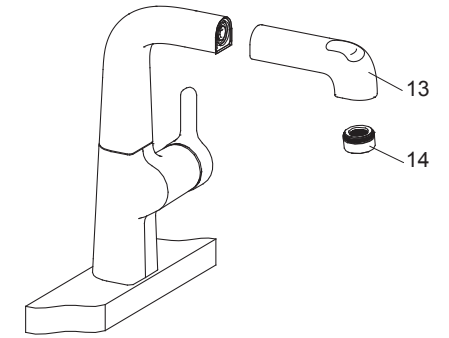
NOTE: Please pull it gently and do not draw out the spray hose too long, or you may damage the hose and connector.



INSTALLATION CHECKOUT

Ensure that all coupling nuts are tight. Ensure that the lever handle is in the off position. Turn on the main water supply and drain, and check for leaks. Repair as needed.

Remove the aerator(14) and the spray(13). Run hot and cold water about one minute to remove any debris. Remove any debris from the aerator and the filter washer of the spray. Shut off the faucet. Reinstall the aerator and the spray.



CLEANING INSTRUCTIONS

All Finishes: Clean the finish with mild soap and warm water. Wipe entire surface completely dry with clean soft cloth. Many cleaners may contain chemicals, such as ammonia, chlorine, toilet cleaner etc, which could adversely affect the finish and are not recommended for cleaning.

Do not use abrasive cleaners or solvents on Kohler faucets and fittings.

"LEAD FREE" is marked on the back of the faucet signifying its compliance with the United States AB1953