



Ensemble™

60" x 36" Vikrell® bath, left drain
71101110



Features

- 16" apron
- Suitable for tile-down applications
- Compatible with Ensemble wall set (71104100)

Material

- Made from solid Vikrell® material for strength, durability, and lasting beauty

Installation

- Alcove
- Left drain

Recommended Products/Accessories

- K-23726 Drain treatment
- 71104100 60" x 36" Vikrell® bath/shower wall set



ADA

Codes/Standards

- CSA B45.5/IAPMO Z124
- ASTM E162
- ASTM E662
- ADA
- ICC/ANSI A117.1

STERLING® Vikrell® or Acrylic Baths and Shower Bases Ten-Year Limited Warranty

See website for detailed warranty information.

Available Colors/Finishes

Color tiles intended for reference only.

Color Code Description

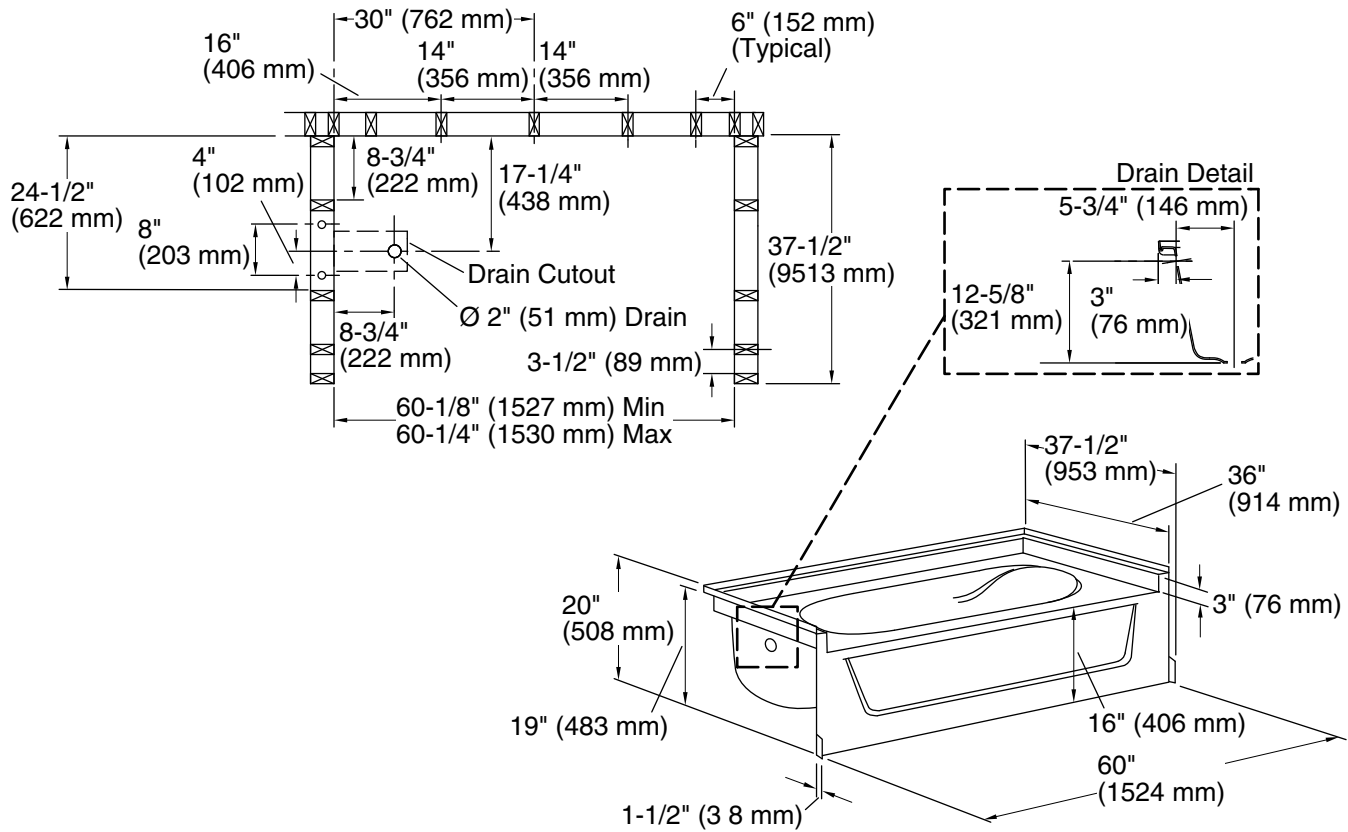
	0	White
--	---	-------

1-800-STERLING (1-800-783-7546)

Kohler Co. reserves the right to make revisions without notice to product specifications.

For the most current Specification Sheet, go to www.sterlingplumbing.com.

3-21-2026 19:36 - US/CA



Technical Information

All product dimensions are nominal.

Drain location:	Left
Basin area, bottom:	40" x 21" (1016 mm x 533 mm)
Basin area, top:	52" x 29" (1321 mm x 737 mm)
Water depth:	11" (279 mm)
Water capacity:	40 gal (151.4 L)
Minimum flat for door:	3-1/4" (83 mm)
Maximum door width:	58-1/2" (1486 mm)

Notes

- Install this product according to the installation instructions.
- Size the drain hole clearance to fit the drain assembly that will be used.
- Studs should be positioned roughly as shown for support clip or roofing nail installation.
- Double studding is recommended for pivot shower door installations.
- ADA compliant when installed to the specific requirements of these regulations.