



Ensemble™

60" x 36" Vikrell® bath, left above-floor drain
71101112



Features

- 18-1/4 apron
- Suitable for tile-down applications
- Built-in armrests and contoured back
- 3" (76 mm) drain-to-floor clearance for above-floor drain installation

Material

- Made from solid Vikrell® material for strength, durability, and lasting beauty

Installation

- Alcove
- Left drain

Recommended Products/Accessories

- K-23726 Drain treatment
- 71104100 60" x 36" Vikrell® bath/shower wall set



ADA

Codes/Standards

- CSA B45.5/IAPMO Z124
- ASTM E162
- ASTM E662
- ADA
- ICC/ANSI A117.1

STERLING® Vikrell® or Acrylic Baths and Shower Bases Ten-Year Limited Warranty

See website for detailed warranty information.

Available Colors/Finishes

Color tiles intended for reference only.

Color Code Description

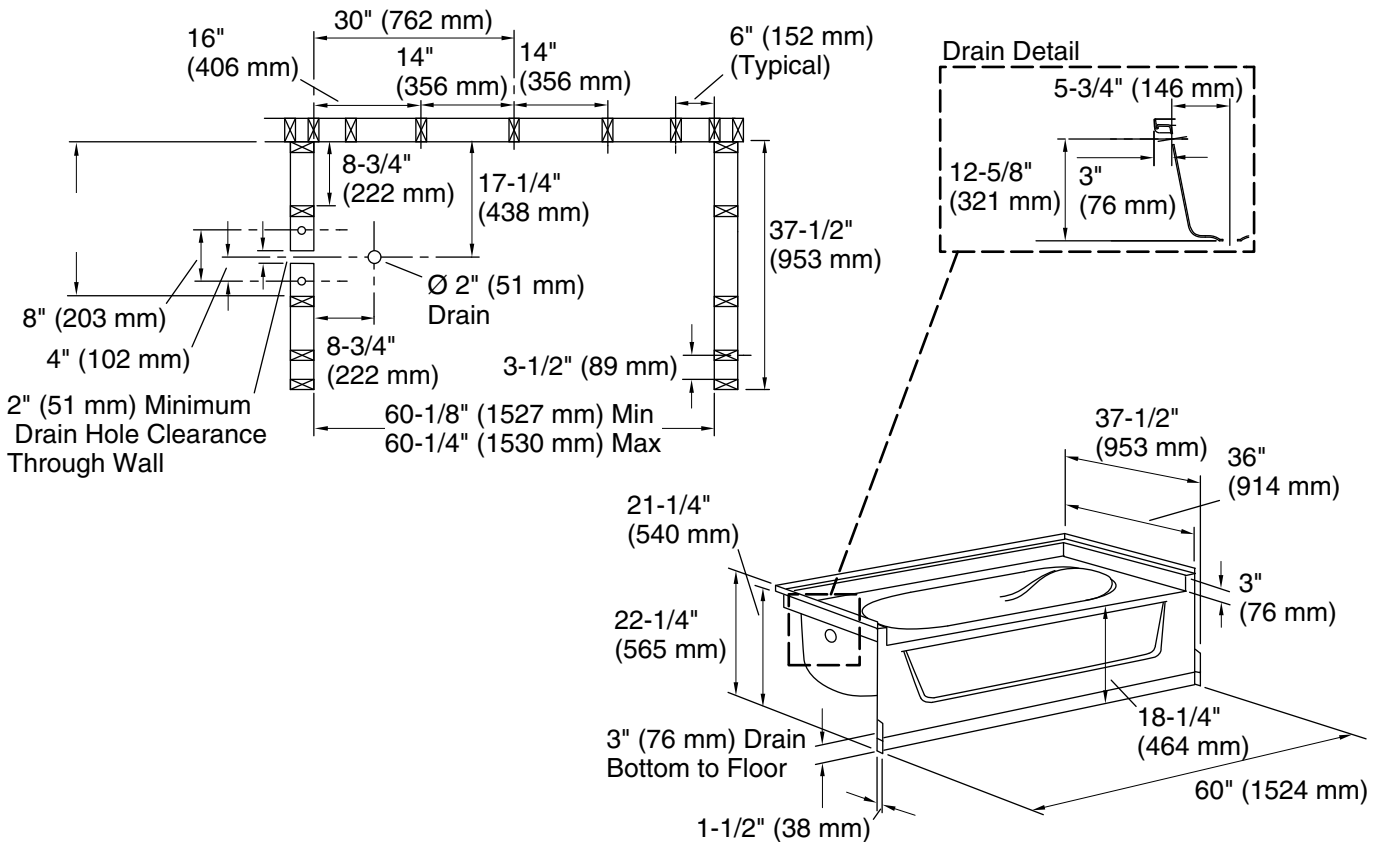
| | | |
|--|---|-------|
| | 0 | White |
|--|---|-------|

1-800-STERLING (1-800-783-7546)

Kohler Co. reserves the right to make revisions without notice to product specifications.

For the most current Specification Sheet, go to www.sterlingplumbing.com.

5-1-2026 22:15 - US/CA



Technical Information

All product dimensions are nominal.

| | |
|------------------------|------------------------------|
| Drain location: | Left |
| Basin area, bottom: | 40" x 21" (1016 mm x 533 mm) |
| Basin area, top: | 52" x 29" (1321 mm x 737 mm) |
| Water depth: | 11" (279 mm) |
| Water capacity: | 40 gal (151.4 L) |
| Minimum flat for door: | 3-1/4" (83 mm) |
| Maximum door width: | 58-1/2" (1486 mm) |

Notes

- Install this product according to the installation instructions.
- Studs should be positioned roughly as shown. Double studding is recommended for pivot shower door installations.
- ADA compliant when installed to the specific requirements of these regulations.