



# Ensemble™

60" x 36" Vikrell® bath, right above-floor drain  
71101122



## Features

- 18-1/4 apron
- Suitable for tile-down applications
- Built-in armrests and contoured back
- 3" (76 mm) drain-to-floor clearance for above-floor drain installation

## Material

- Made from solid Vikrell® material for strength, durability, and lasting beauty

## Installation

- Alcove
- Right drain

## Recommended Products/Accessories

- K-23726 Drain treatment
- 71104100 60" x 36" Vikrell® bath/shower wall set



## Codes/Standards

- CSA B45.5/IAPMO Z124
- ASTM E162
- ASTM E662
- ADA
- ICC/ANSI A117.1


## STERLING® Vikrell® or Acrylic Baths and Shower Bases Ten-Year Limited Warranty

See website for detailed warranty information.

## Available Colors/Finishes

*Color tiles intended for reference only.*

### Color Code Description

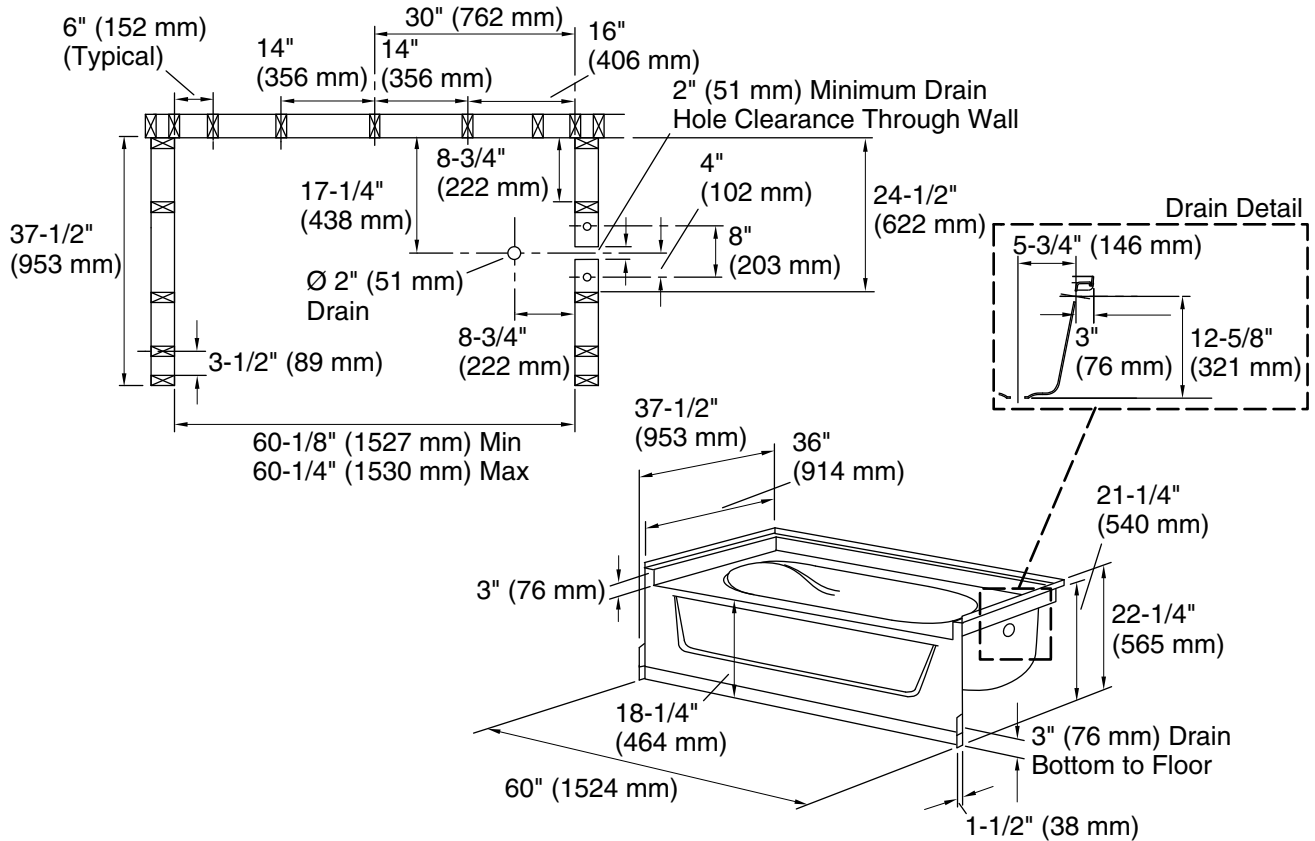
	0	White
---	---	-------

1-800-STERLING (1-800-783-7546)

Kohler Co. reserves the right to make revisions without notice to product specifications.

For the most current Specification Sheet, go to [www.sterlingplumbing.com](http://www.sterlingplumbing.com).

4-11-2026 19:29 - US/CA



**Technical Information**

All product dimensions are nominal.

Drain location:	Right
Basin area, bottom:	40" x 21" (1016 mm x 533 mm)
Basin area, top:	52" x 29" (1321 mm x 737 mm)
Water depth:	11" (279 mm)
Water capacity:	40 gal (151.4 L)
Minimum flat for door:	3-1/4" (83 mm)
Maximum door width:	58-1/2" (1486 mm)

**Notes**

Install this product according to the installation instructions.

Studs should be positioned roughly as shown. Double studding is recommended for pivot shower door installations.

ADA compliant when installed to the specific requirements of these regulations.