



Ensemble™

60" x 42" Vikrell® bath, left drain
71111110



Features

- 16" apron
- Suitable for tile-down applications
- Compatible with Ensemble wall set (71114100 or 71114106)

Material

- Made from solid Vikrell® material for strength, durability, and lasting beauty

Installation

- Alcove
- Left drain

Recommended Products/Accessories

K-23726 Drain treatment
71114100 60" x 42" Vikrell® bath/shower wall set



ADA

Codes/Standards

CSA B45.5/IAPMO Z124
ASTM E162
ASTM E662
ADA
ICC/ANSI A117.1

STERLING® Vikrell® or Acrylic Baths and Shower Bases Ten-Year Limited Warranty

See website for detailed warranty information.

Available Colors/Finishes

Color tiles intended for reference only.

Color Code Description

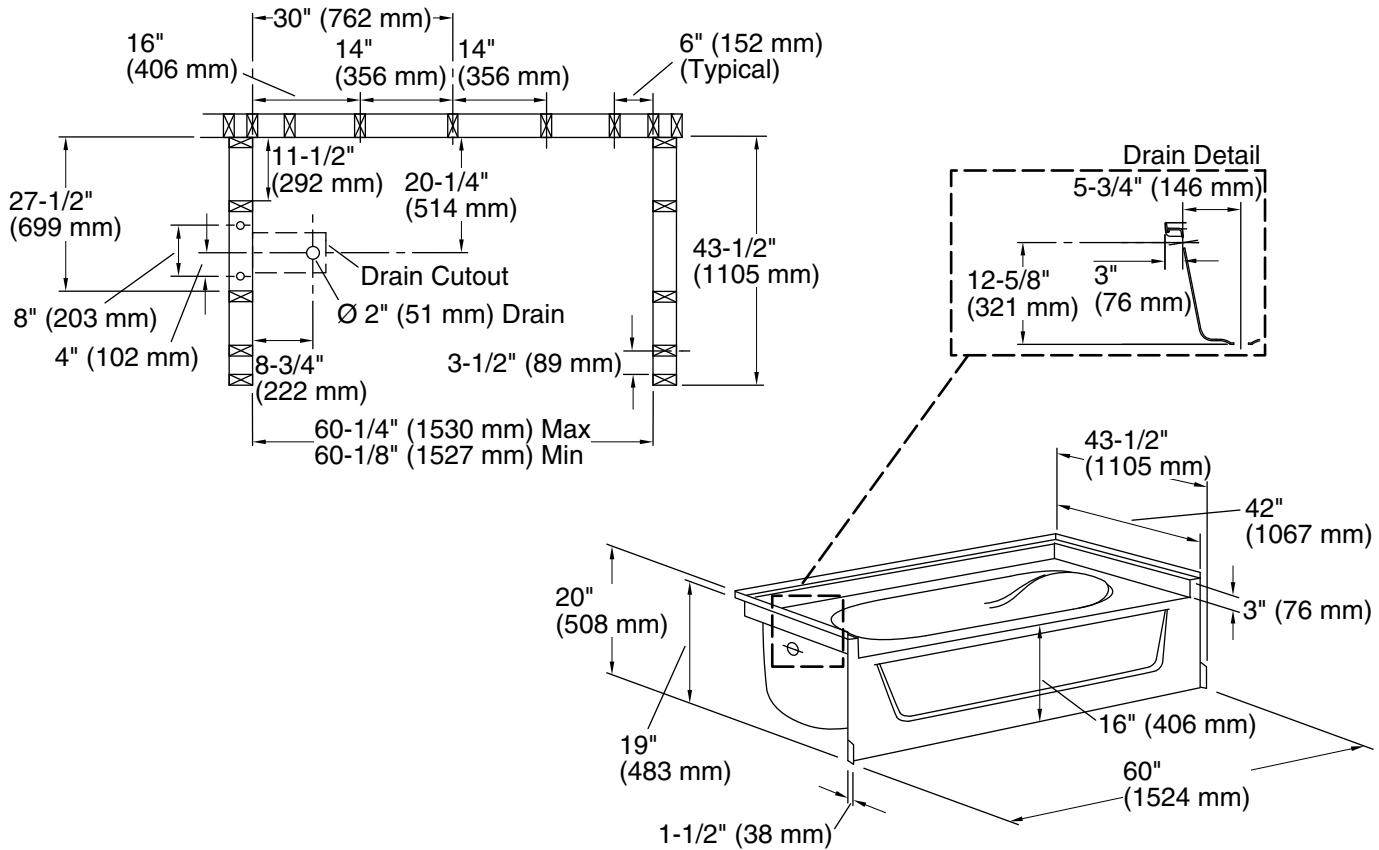
■ 0 White

1-800-STERLING (1-800-783-7546)

Kohler Co. reserves the right to make revisions without notice to product specifications.

For the most current Specification Sheet, go to www.sterlingplumbing.com.

3-21-2026 19:34 - US/CA



Technical Information

All product dimensions are nominal.

Drain location:	Left
Basin area, bottom:	40" x 27" (1016 mm x 686 mm)
Basin area, top:	52" x 35" (1321 mm x 889 mm)
Water depth:	11" (279 mm)
Water capacity:	55 gal (208.2 L)
Minimum flat for door:	3-1/4" (83 mm)
Maximum door width:	58-1/2" (1486 mm)

Notes

Install this product according to the installation instructions.

Studs should be positioned roughly as shown. Double studding is recommended for pivot shower door installations.

ADA compliant when installed to the specific requirements of these regulations.