



Ensemble™

60" x 32" Vikrell® bath, left above-floor drain
71121112



Features

- 20" apron
- Compatible with tile
- 3" (76 mm) drain-to-floor clearance for above-floor drain installation
- 20" (508 mm) bath depth (floor to top of threshold)
- Durable high-gloss finish provides a smooth, shiny surface that is easy to clean
- Extra-deep bathing well for added comfort

Material

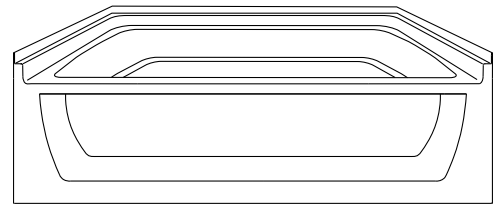
- Made from solid Vikrell® material for strength, durability, and lasting beauty

Installation

- Alcove
- Left drain

Recommended Products/Accessories

- K-23726 Drain treatment
- 71324100 60" x 32" Vikrell® bath/shower wall set
- 71424100 60" x 32" Vikrell® bath/shower wall set
- 71524100 60" x 32" Vikrell® bath/shower wall set
- 71224100 60" x 32" Vikrell® bath/shower wall set



Codes/Standards

- CSA B45.5/IAPMO Z124
- ASTM E162
- ASTM E662
- HUD, UM Bulletin 73


STERLING® Vikrell® or Acrylic Baths and Shower Bases Ten-Year Limited Warranty

See website for detailed warranty information.

Available Colors/Finishes

Color tiles intended for reference only.

Color Code Description

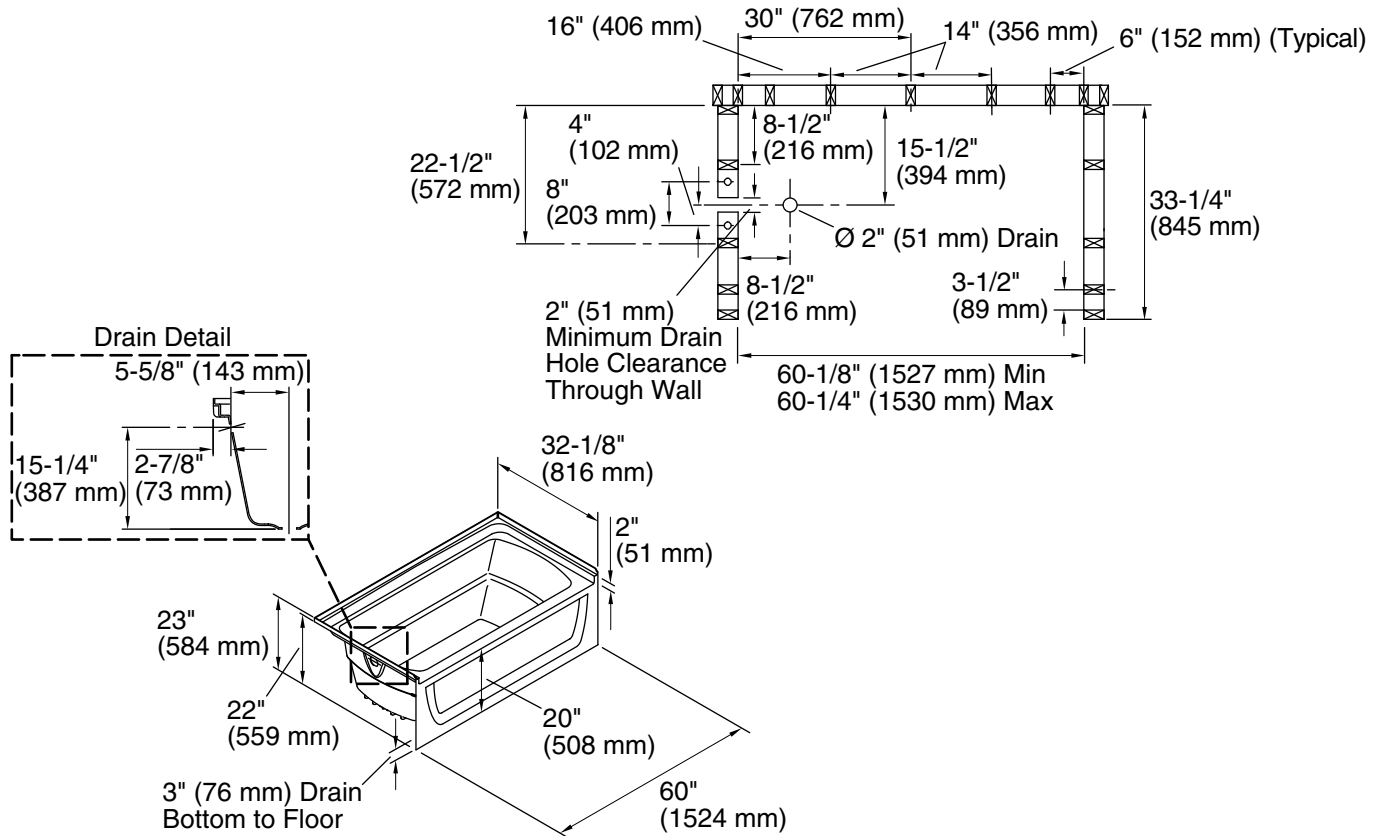
	0	White
---	---	-------

1-800-STERLING (1-800-783-7546)

Kohler Co. reserves the right to make revisions without notice to product specifications.

For the most current Specification Sheet, go to www.sterlingplumbing.com.

4-16-2026 19:59 - US/CA



Technical Information

All product dimensions are nominal.

Drain location:	Left
Basin area, bottom:	42" x 20" (1067 mm x 508 mm)
Basin area, top:	54" x 26" (1372 mm x 660 mm)
Water depth:	13" (330 mm)
Water capacity:	51 gal (193.1 L)
Minimum flat for door:	3" (76 mm)
Maximum door width:	57-11/16" (1465 mm)

Notes

Install this product according to the installation instructions.
Studs should be positioned roughly as shown.
Double studding is recommended for pivot shower door installations.