



Ensemble™

60" x 32" bath seat
71127104

Features

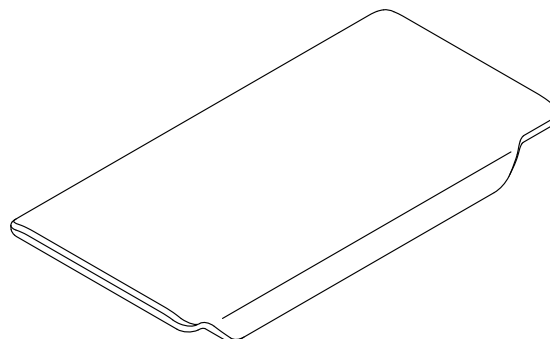
- For use with 32" (812 mm) wide Ensemble baths
- Can be positioned anywhere within the bath or removed completely
- 30-1/2" x 15" (775 mm x 381 mm)
- Holds up to 300 lb

Material

- Roto-molded polyethylene plastic

Recommended Products/Accessories

- 71121110 60" x 32" Vikrell® bath, left drain
- 71121120 60" x 32" Vikrell® bath, right drain



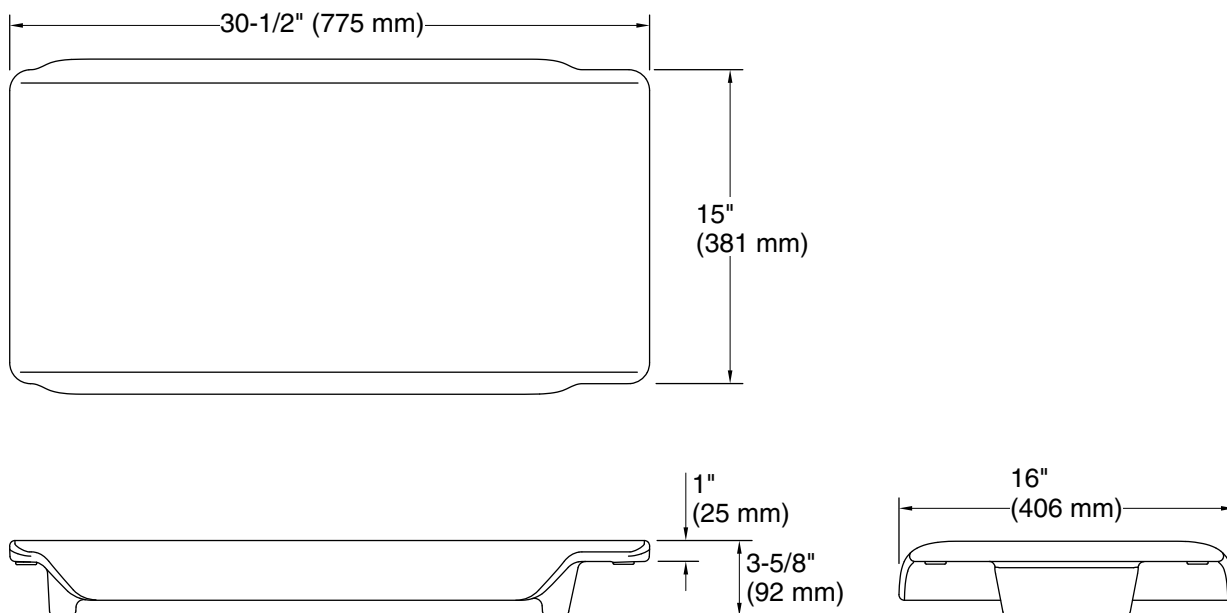
ADA

Codes/Standards

ADA
ICC/ANSI A117.1

STERLING® Non-Vikrell® Bathing & Showering Seats Ten-Year Limited Warranty

See website for detailed warranty information.



Technical Information

All product dimensions are nominal.

Pressure/fixture Supply Requirements

Notes

ADA compliant when installed to the specific requirements of these regulations.