



Ensemble™

30-1/2" x 16" bath seat
71127904

Features

- For use with 32" (812 mm) wide Ensemble baths
- Can be positioned anywhere within the bath or removed completely
- 30-1/2" x 16" (774 mm x 406 mm)
- Holds up to 300 lb

Material

- Roto-molded polyethylene plastic

Recommended Products/Accessories

71121910

71121920



ADA

Codes/Standards

ADA

ICC/ANSI A117.1

STERLING® Non-Vikrell® Bathing & Showering Seats Ten-Year Limited Warranty

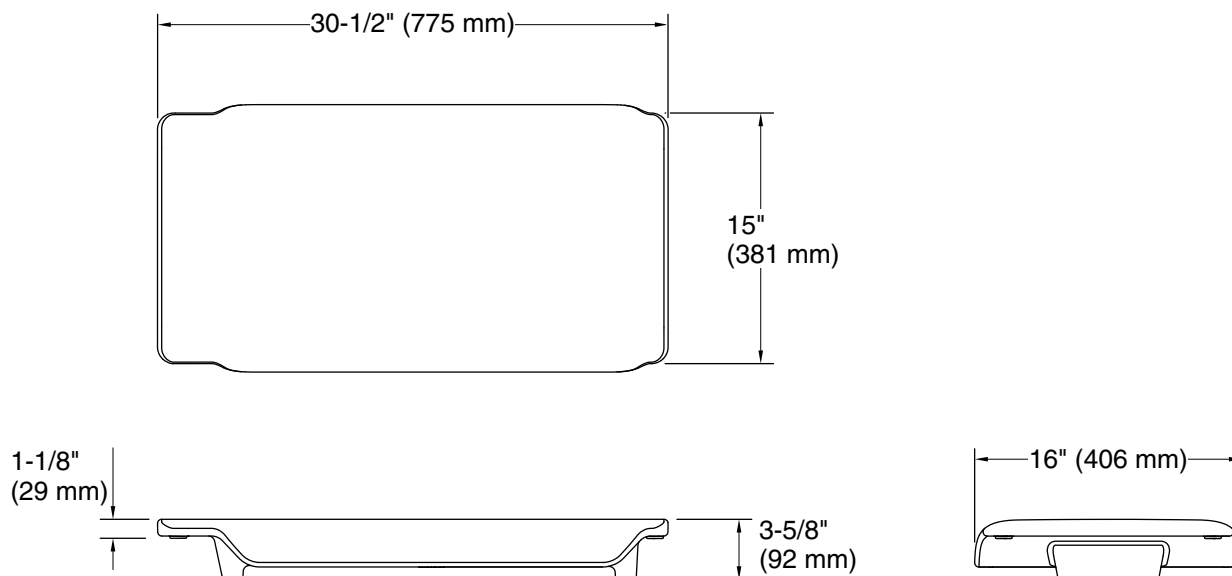
See website for detailed warranty information.

1-800-STERLING (1-800-783-7546)

Kohler Co. reserves the right to make revisions without notice to product specifications.

For the most current Specification Sheet, go to www.sterlingplumbing.com.

2-1-2026 20:35 - US



Technical Information

All product dimensions are nominal.

Pressure/fixture Supply Requirements

Notes

Install this product according to the installation guide.

ADA compliant when installed to the specific requirements of these regulations.